

MODEL GPR 50 125 2009 DATE SEPT. 2009 CIRCULAR Nº 255.370 PAGE 1 OF 2

866714 Tool to adjust swing arm nut on the GPR 2009

Dear dealer,

We are pleased to announce you that we extended our range of special tools. We now propose through our spare parts department, a special key to mount the swing arm of the models GPR 50 2T 2009 and GPR 125 4T 4V 2009, under the ref 866714.

This tool is in particular necessary to adjust the nut number 8, ref. 865615, in the spare part scheme that you find below.

Kind regards,

After-Sales Service
Nacional Motor S.A.-DERBI

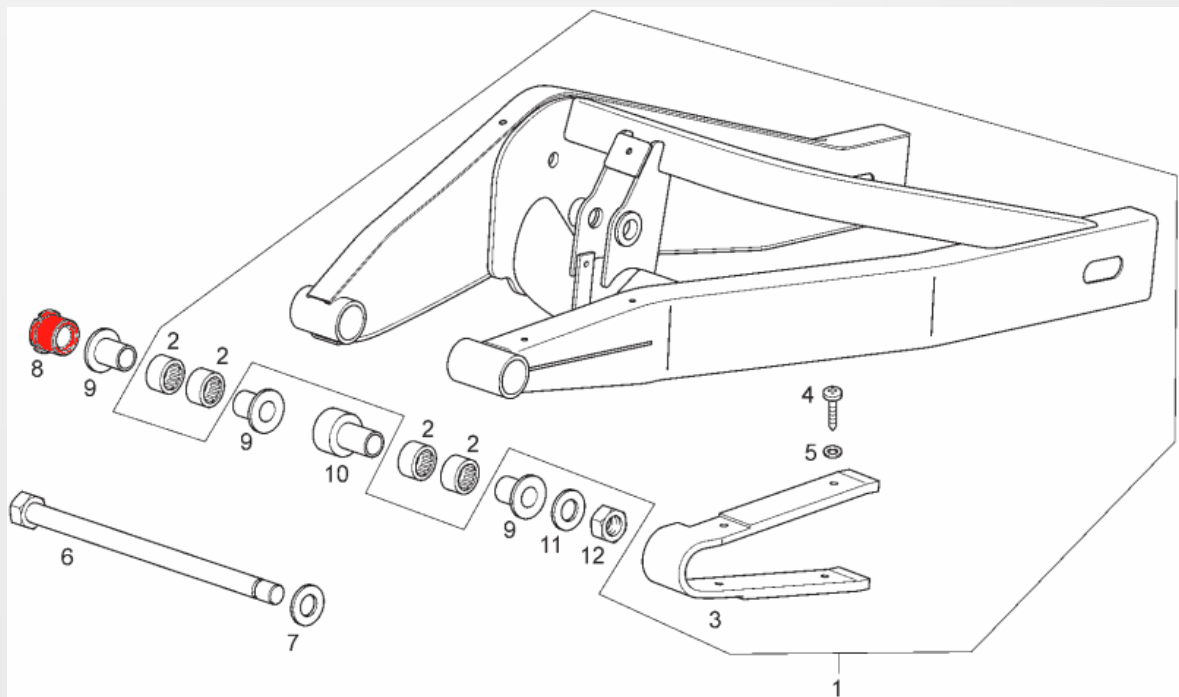




Fig.	Ver.	COD. KOD.	DESCRIPCIÓN DENOMINAZIONE NAME	BEZEICHNUNG DESIGNATION
01A		86560900WN6	CTO BASCULANTE C/CASQUILLOS SUBRIBALTABILE SWING ARM SUB-ASSY	SCHWINGENACHSE BRAS OSCILLANT
02A		00H00301811	CASQUILLO AGUJAS CUSCINETTO BEARING	LAGER ROULEMENT
03A		00H01804331	PLACA ROZAMIENTO CADENA GUIDA CATENA CHAIN GUIDE	OBERE KETTENFÜHRUNG GUIDE CHAONE
04A		00011141300	TORNILLO AUT.C/CR.NG.4,8X13 VITE SCREW	SCHRAUBE VIS
05A		00000031050	ARANDELA D5 RONDELLA WASHER	SCHEIBE RONDELLE
06A		00H00305411	EJE BASCULANTE SUBASSE OSCILLANTE SWINGING ARM SHAFT SUB-ASSEMB	U-GRUPPE KIPPACHSE S/ENSEMBLE AXE BASCULANT
07A		00032015000	ARANDELA RONDELLA WASHER	SCHEIBE RONDELLE
08A		865615	TUERCA REGULACION DADO NUT	MUTTER ECROU
09A		865612	CASQUILLO BUSSOLA BUSH	BUCHSE TAMPON
10A		865611	CASQUILLO BUSSOLA BUSH	BUCHSE TAMPON
11A		00032015000	ARANDELA RONDELLA WASHER	SCHEIBE RONDELLE
12A		00H00300672	TUERCA EXAG.14M150 DADO NUT	MUTTER ECROU