



PIAGGIO & C.s.p.a.



PIAGGIO & C.s.p.a.

SPARE PARTS CATALOGUE

Beverly 350 4T 4V ie E3 2012 (USA)

Chassis prefix: ZAPM690T

Engine prefix: M693M

Index

Finished products.....	4
Alphanumeric index.....	5
Engine.....	10
Table 01.02 - Engine, assembly.....	10
Table 01.05 - Crankcase.....	11
Table 01.06 - Crankshaft.....	13
Table 01.07 - Cylinder-piston-wrist pin unit.....	14
Table 01.10 - Head unit - Valve.....	15
Table 01.11 - Rocking levers support unit.....	17
Table 01.12 - Cylinder head cover.....	18
Table 01.13 - Driving pulley.....	19
Table 01.14 - Driven pulley.....	20
Table 01.15 - Crankcase cover - Crankcase cooling.....	22
Table 01.18 - Oil pump.....	23
Table 01.19 - Cooler pump.....	25
Table 01.20 - Stater - Electric starter.....	26
Table 01.21 - Flywheel magneto.....	27
Table 01.23 - Flywheel magneto cover - Oil filter.....	28
Table 01.25 - Reduction unit.....	29
Table 01.36 - Throttle body - Injector - Union pipe.....	30
Table 01.42 - Silencer.....	31
Table 01.45 - Air filter.....	32
Frame - Plastic parts - Coachwork.....	33
Table 02.01 - Frame/bodywork.....	33
Table 02.25 - Stand/s.....	34
Table 02.26 - Front shield.....	35
Table 02.27 - Windshield - Glass.....	36
Table 02.30 - Front glove-box - Knee-guard panel.....	37
Table 02.31 - Central cover - Footrests.....	39
Table 02.32 - Side cover - Spoiler.....	41
Table 02.33 - Wheel huosing - Mudguard.....	42
Table 02.34 - Helmet huosing - Undersaddle.....	43
Table 02.37 - Rear cover - Splash guard.....	44
Table 02.38 - Plates - Emblems.....	45
Table 02.39 - Saddle/seats - Tool roll.....	46
Table 02.44 - Rear luggage rack.....	47
Table 02.45 - Driving mirror/s.....	48
Table 02.46 - Locks.....	49
Table 02.47 - Fuel tank.....	50
Table 02.53 - Supply system.....	51
Table 02.55 - Cooling system.....	52
Table 02.61 - Anti-percolation system.....	53
Handlebars/Steering.....	54



Table 03.01 - Handlebars coverages.....	54
Table 03.02 - Meter combination - Cruscotto.....	56
Table 03.06 - Handlebars - Master cil.....	57
Suspensions - Wheels.....	58
Table 04.01 - Swinging arm.....	58
Table 04.02 - Fork/steering tube - Steering bearing unit.....	59
Table 04.03 - Fork's components (Kayaba).....	60
Table 04.10 - Rear suspension - Shock absorber/s.....	61
Table 04.11 - Front wheel.....	62
Table 04.12 - Rear wheel.....	63
Braking system - Transmissions.....	64
Table 05.01 - Brakes pipes - Calipers.....	64
Electrical system.....	66
Table 06.01 - Selectors - Switches - Buttons.....	66
Table 06.03 - Front headlamps - Turn signal lamps.....	67
Table 06.04 - Rear headlamps - Turn signal lamps.....	68
Table 06.05 - Remote control switches - Battery - Horn.....	69
Table 06.06 - Voltage Regulators - Electronic Control Units (ecu) - H.T. Coil.....	70
Table 06.08 - Main cable harness.....	71





Finished products

Code	Validity
ECPP000US1	
ECPP90AUS1	Vehicle colour: BLACK[94]
ECPPBRAUS1	Vehicle colour: White[544]
ECPPDEAUS1	Vehicle colour: Blue[222/A]
ECPPH4AUS1	Vehicle colour: Grey[760/B]
ECPPRRAUS1	Vehicle colour: Red[849/A]



Code	No. table	Pos.	Code	No. table	Pos.	Code	No. table	Pos.
000097	01.21	12	031119	04.12	10	277916	01.18	11
002440	02.25	15	063435	01.10	17	285846	01.10	8
002440	02.25	3	071633	02.34	12	287174	01.23	2
002440	04.01	11	078307	02.01	18	289731	01.15	5
002440	04.01	17	078307	02.47	5	289731	06.06	2
002440	04.10	3	080341	06.06	12	289731	06.06	4
003038	02.01	14	127927	05.01	13	289919	01.18	18
003038	02.01	9	145298	06.06	11	291017	06.06	8
003054	06.04	11	145298	06.08	14	292022	06.04	13
003056	01.45	15	145298	06.08	16	292889	02.25	16
003056	02.01	6	145298	06.08	22	293154	02.34	13
003056	06.08	9	157716	02.61	19	294353	06.03	5
003058	02.31	26	164245	02.25	12	294519	02.37	17
003058	02.31	39	178790	03.06	3	294770	06.08	11
003058	02.44	4	178790	04.01	15	295590	02.31	30
006032	02.44	6	181351	02.37	9	295590	02.31	36
006416	04.01	21	181746	06.04	19	295591	02.31	31
006642	04.11	4	191189	02.25	14	295591	02.31	40
006647	04.10	13	194423	04.12	7	295788	02.25	10
006966	02.33	12	195482	02.33	7	295789	02.25	11
006975	06.03	2	199190	02.30	26	296456	02.39	2
006976	05.01	23	199190	02.31	18	297027	01.10	19
0111094	04.02	3	217280	02.61	20	297498	02.26	5
012532	02.25	18	217280	05.01	20	297498	02.30	23
012533	01.45	14	224664	01.20	5	297498	02.33	13
012535	06.03	12	231590	02.46	16	297498	02.37	12
012535	06.04	17	231590	05.01	19	297498	03.01	11
012540	02.44	3	231590	06.08	17	297498	03.01	16
012543	03.06	4	239388	01.05	13	297498	03.01	9
012789	04.12	8	252420	02.30	17	298581	02.46	7
013092	02.55	11	253937	02.46	8	298594	02.46	5
013763	02.37	13	254485	01.45	16	298731	02.46	3
013763	02.37	7	254485	02.26	4	298838	02.46	6
013776	04.10	10	254485	02.30	12	299693	02.30	27
015330	03.06	5	254485	02.31	16	299972	02.46	10
015341	01.42	16	254485	02.33	10	315092	02.31	29
015578	04.10	7	254485	02.34	3	315092	02.31	38
015935	01.21	3	254485	02.37	3	351782	02.55	12
016404	02.37	6	254485	02.55	15	414837	01.18	10
016406	02.01	5	254485	02.55	18	414838	01.11	14
016406	02.61	5	254485	06.04	4	414838	01.15	11
016406	06.08	8	254485	06.04	9	414838	01.23	13
016408	02.01	10	257134	02.46	15	430044	04.12	13
016408	02.01	13	257134	05.01	18	430207	01.19	3
018536	02.34	9	257134	06.08	23	431089	01.14	12
018538	01.11	12	257614	02.30	9	432142	01.05	16
018553	01.21	2	258146	01.45	2	433232	01.14	19
018575	01.21	14	258737	02.34	6	434541	01.15	6
018575	01.21	5	258904	02.55	14	434541	01.18	19
018575	06.03	3	259933	02.31	27	434541	04.12	14
018591	02.37	5	259933	02.31	37	434541	05.01	17
018623	01.36	8	260918	01.45	11	434541	06.05	7
018623	02.33	14	265451	05.01	11	434541	06.08	3
018623	06.03	6	267115	06.04	12	435571	01.07	9
018639	01.14	5	268158	04.10	2	436438	01.10	5
018640	01.45	13	268304	02.47	4	436695	01.18	22
020104	02.37	8	270147	02.30	15	463195	02.47	7
020207	02.46	27	270793	02.30	10	463195	06.03	4
021210	06.03	13	271434	03.06	12	464620	02.30	22
021210	06.04	18	271740	04.11	9	478115	01.05	14
030115	02.25	2	272426	02.25	8	479515	01.21	11
031086	02.33	11	272750	04.01	19	479882	02.37	10
031086	02.47	6	273288	02.55	13	479986	01.23	12
031088	02.01	4	273460	04.01	20	482290	05.01	14
031088	02.47	8	273754	02.25	4	484123	01.20	4
031117	02.01	15	274370	04.11	12	485655	01.05	18
031117	02.01	8	277916	01.15	2	485655	01.18	12



Code	No. table	Pos.	Code	No. table	Pos.	Code	No. table	Pos.
485913	01.05	2	58613R	04.10	1	643062	06.03	14
485913	01.25	5	597081	04.01	14	643063	06.03	15
486081	01.05	9	597317	04.01	2	643064	06.04	15
487665	01.42	11	597317	04.01	5	643065	06.04	16
487665	01.42	5	597374	04.01	3	643090	01.23	10
497132	04.03	5	597374	04.01	6	643132	06.01	10
497614	01.02	2	597490	04.01	23	643170	03.02	1
497615	01.02	3	597528	04.12	5	643402	06.08	1
563728	04.12	6	597633	05.01	29	646760	04.12	15
564260	04.02	6	597679	04.11	10	646829	03.06	14
564260	04.02	8	597679	04.12	3	646829	03.06	16
564611	04.01	10	597774	04.01	9	647595	02.25	13
565559	06.08	13	597893	04.01	16	649548	04.11	8
565560	06.08	12	598642	02.33	6	649565	04.11	2
575249	02.33	8	599102	04.11	6	649619	04.03	11
575268	02.44	7	599250	04.01	22	649992	04.03	3
575357	02.01	2	599270	04.03	8	6500754	04.02	7
575551	02.30	21	600750	04.02	5	651269	04.11	7
575607	02.30	14	600753	04.02	4	651297	05.01	3
576454	02.61	14	6008725	04.02	2	651440	04.11	13
576468	02.61	1	601170	03.06	17	654326	02.38	9
576473	02.38	5	614188	01.45	3	655120	02.45	2
576546	02.53	3	621498	02.39	6	655120	02.45	4
576702	02.38	3	623673	02.55	7	656003	02.53	4
576704	02.38	4	623743	02.53	7	656021	02.47	10
576708	02.38	6	623743	05.01	16	656022	02.47	9
576953	02.38	8	623788	02.46	17	656264	02.46	2
577005	02.30	16	624384	02.61	7	656338	02.26	1
577128	02.46	18	624554	02.38	1	6563380090	02.26	1
577399	02.30	18	638534	02.46	14	65633800BR	02.26	1
577400	02.30	20	639357	02.53	2	65633800DE	02.26	1
577492	02.39	3	639542	02.25	17	65633800H4	02.26	1
577620	02.46	11	639560	01.42	20	65633800RR	02.26	1
577620	02.46	21	639560	06.08	21	656341	02.30	29
577816	02.46	4	639806	01.42	19	6563410090	02.30	29
577861	02.30	19	639964	06.01	6	65634100BR	02.30	29
581142	06.08	10	640289	06.06	15	65634100DE	02.30	29
581440	06.05	3	640485	01.10	22	65634100H4	02.30	29
581440	06.08	4	641040	06.06	10	65634100RR	02.30	29
58170R	02.55	2	641204	06.08	7	656343	02.30	3
582041	06.01	11	641605	06.08	18	656343000C	02.30	3
58222R	01.20	1	641609	06.01	7	65634300RU	02.30	3
582298	02.25	5	641711	06.06	1	656344	02.31	3
58233R	02.37	14	641743	06.01	4	65634400H3	02.31	3
582428	02.31	33	641824	06.01	5	656345	02.31	4
58244R	01.21	1	641859	06.01	8	65634500H3	02.31	4
58255R	06.01	8	641892	02.53	1	656351	02.31	5
582690	06.05	1	641901	06.06	3	65635100H3	02.31	5
582787	04.02	9	641915	06.06	6	656352	02.31	6
582906	06.05	2	642032	06.01	9	65635200H3	02.31	6
582928	06.08	5	642093	06.05	4	656353	02.32	1
582988	06.01	3	642545	01.20	3	6563530090	02.32	1
582990	02.46	19	642552	06.08	25	65635300BR	02.32	1
583158	06.05	5	642559	02.25	17	65635300DE	02.32	1
583332	06.04	10	642621	06.06	14	65635300H4	02.32	1
583525	06.08	2	642679	06.01	2	65635300RR	02.32	1
583752	02.34	10	642745	02.37	4	656354	02.32	2
583921	02.61	2	642795	01.21	9	6563540090	02.32	2
584121	02.46	20	642894	06.03	1	65635400BR	02.32	2
584332	06.03	9	642895	06.03	10	65635400DE	02.32	2
584332	06.04	14	642896	06.03	11	65635400H4	02.32	2
584509	06.06	7	642897	06.04	1	65635400RR	02.32	2
58546R	04.11	11	642898	06.04	2	656355	02.32	5
58547R	04.12	9	642967	06.01	1	65635500H3	02.32	5
58583R	04.10	1	642982	03.02	1	656356	02.32	6
58584R	04.02	1	643000	06.06	9	65635600H3	02.32	6
58609R	03.06	6	643026	06.08	6	656361000C	02.31	9





Code	No. table	Pos.	Code	No. table	Pos.	Code	No. table	Pos.
656465000C	03.01	2	666439	04.02	10	67404900C1	02.39	5
65646500RU	03.01	2	666643	03.06	8	67404900C3	02.39	5
656466000C	03.01	8	666644	03.06	9	6744421	03.06	2
656467	03.01	15	666648	05.01	10	674503000C	02.37	1
6564670090	03.01	15	666649	05.01	25	674504	03.01	1
65646700BR	03.01	15	666650	05.01	26	6745040090	03.01	1
65646700DE	03.01	15	666652	04.12	1	67450400BR	03.01	1
65646700H4	03.01	15	666659	04.12	4	67450400DE	03.01	1
65646700RR	03.01	15	666678	04.10	5	67450400H4	03.01	1
656468000C	03.01	10	666828	05.01	9	67450400RR	03.01	1
656469	03.01	13	666884	04.01	18	674508	02.27	1
656528	02.55	1	666900	04.01	4	674872	02.55	4
656801	02.44	1	666935	05.01	2	674873	02.55	5
65680100H3	02.44	1	666940	05.01	27	674947	02.31	10
656802000C	02.44	8	666950	04.01	1	67494700H3	02.31	10
656803	02.30	1	667085	02.33	9	674948	02.31	41
65680300B2	02.30	1	667197	02.33	1	67494800H3	02.31	41
65680300Z1	02.30	1	6671970090	02.33	1	674953	02.47	1
656804	02.30	2	66719700BR	02.33	1	674955	02.47	3
656807	02.55	6	66719700DE	02.33	1	674956	02.46	1
65682300H3	02.31	25	66719700H4	02.33	1	702195	02.61	11
65682500H3	02.31	34	66719700RR	02.33	1	709047	04.10	11
656828	02.31	7	667211	04.03	6	709047	04.12	11
656829	02.31	8	667212	04.03	4	709047	05.01	4
656831	02.30	24	667214	04.03	10	709099	05.01	24
656831000C	02.30	24	667215	04.03	7	709646	04.10	8
65683100RU	02.30	24	667277	04.11	1	709646	05.01	8
656847	02.39	4	667566	02.25	6	82545R	04.10	14
656849	02.30	28	667567	02.25	7	825667	01.15	4
656853	02.37	15	667827	04.01	12	825725	01.21	8
6568530090	02.37	15	667827	04.01	7	825737	01.18	3
65685300BR	02.37	15	668016	02.25	1	826298	02.44	5
65685300DE	02.37	15	668261	05.01	5	827018	01.10	12
65685300H4	02.37	15	671146	02.38	10	827116	01.13	10
65685300RR	02.37	15	672055	02.30	6	827116	01.21	7
656855	02.46	13	672055000C	02.30	6	82737R	01.20	9
656894	02.44	2	67205500RU	02.30	6	827526	01.42	7
656993	02.31	28	672138	03.02	2	82782R	01.18	6
656994	02.31	35	672200	02.38	2	827831	01.45	4
657135	02.30	8	672240	02.34	14	82831R	01.10	21
657135	02.34	15	672435	02.01	12	828911	01.25	6
657193	02.01	16	672464	02.55	3	829206	01.25	2
657204000C	03.01	7	672615000C	02.32	3	829593	01.18	24
657217	02.37	11	672616000C	02.32	4	829661	01.05	17
657224	02.46	12	672619	02.33	2	829661	01.18	13
657229	02.34	18	672622	02.34	4	82991R	01.23	8
6574545	02.01	1	672624000C	02.31	1	82992R	01.18	1
657494	02.30	7	672637	02.34	5	829981	01.12	5
657494000C	02.30	7	672954000C	02.33	3	830056	01.45	5
65749400RU	02.30	7	672957	02.34	17	830056	02.39	8
6574955	02.01	3	672995	02.55	1	83018R	01.05	3
6574965	02.01	7	673000	02.01	11	830249	01.12	3
66550400H3	02.33	4	673126	02.55	4	83025R	01.13	1
66550500H3	02.33	5	673127	02.55	5	83034R	01.25	3
665832	04.11	3	673194	02.33	17	831333	01.18	27
665842	05.01	6	673207000C	02.31	2	832963	04.12	12
665947	02.25	9	67323200C1	02.39	1	833011	01.20	7
665983	05.01	22	67323200C3	02.39	1	834065	01.19	4
666047	05.01	21	673339	03.06	11	834187	02.31	32
666139	05.01	7	673514	02.27	2	834187	04.10	16
666281	02.39	9	6737075	03.06	1	840277	01.15	3
666294	05.01	12	673722	02.26	2	840655	01.13	8
666327	04.11	5	673797	02.53	5	841023	01.42	17
666328	04.12	2	673954	02.61	3	841821	01.42	10
666387	04.03	9	673956	02.61	16	841821	01.42	4
666389	04.03	2	673957	02.61	6	842360	01.10	9
666390	04.03	1	673958	02.34	1	842908	01.42	3



Code	No. table	Pos.	Code	No. table	Pos.	Code	No. table	Pos.
842908	01.42	9	879389	01.14	11	B014180	01.14	8
844483	04.10	9	879662	01.10	11	B014181	01.14	32
845590	04.10	15	879813	01.10	7	B014186	01.14	33
845605	01.10	18	879816	01.19	6	B014273	01.13	3
845753	01.10	13	879888	01.19	5	B014402	01.42	2
847174	01.05	23	879888	01.19	7	B014403	01.36	7
847174	01.05	7	879940	01.42	15	B014441	01.18	30
847238	01.05	24	880001	01.45	6	B014475	01.15	10
847238	01.05	8	880120	01.45	12	B014520	01.15	8
847645	01.20	2	880148	01.15	12	B014573	01.23	4
847928	01.18	20	880285	01.42	6	B014574	01.23	7
8494905	01.21	13	880295	01.42	22	B014584	01.13	4
851295	01.05	22	880296	01.42	18	B014598	01.11	6
851295	01.18	17	880343	04.10	4	B014598	01.20	8
857429	06.06	5	880343	04.10	6	B014599	01.14	15
871301	01.18	26	880389	04.10	12	B014671	01.23	14
871458	01.15	7	880401	01.19	1	B014703	01.13	5
8720235	01.36	4	880449	01.18	25	B014882	01.14	23
872635	01.12	2	880460	01.36	3	B014906	01.14	14
873102	01.05	29	880515	01.42	8	B014925	01.11	10
873102	01.18	28	880601	01.10	3	B014970	01.11	8
873351	01.25	4	880602	01.10	2	B0149715	01.11	9
873905	01.05	6	880631	01.11	1	B015036	01.07	1
873931	01.14	3	880633	01.11	2	B0150370001	01.07	2
874037	01.18	4	880645	01.18	5	B0150370002	01.07	2
874946	01.42	13	880661	01.12	1	B0150370003	01.07	2
874957	01.42	14	880662	01.12	4	B0150370004	01.07	2
876975	01.14	31	880688	01.11	5	B015049	01.13	9
876976	01.14	30	880715	01.11	3	B015066	01.36	6
876977	01.14	35	8807205	01.42	1	B015068	01.05	10
876982	01.14	29	880725	01.23	11	B015069	01.05	11
876986	01.14	26	880727	01.19	2	B015109	01.14	18
876987	01.14	27	880729	01.21	6	B015110	01.14	16
877001	01.14	39	880850	01.14	9	B0151125	01.25	7
877285	01.05	12	880887	01.05	19	B015114	01.14	6
877289	01.21	10	880887	01.18	14	B015119	01.14	17
877649	01.21	4	880893	01.11	11	B0151755	01.11	4
877704	01.05	25	880985	01.36	2	B015183	01.10	23
877822	01.05	26	880991	01.11	7	B015195	01.18	2
877823	01.05	27	895839	02.38	7	B015269	01.05	4
8778305	01.25	10	969296	05.01	15	B015279	01.07	3
877886	01.20	6	969348	06.06	13	B015280	01.07	4
878142	01.13	2	AP8121641	04.11	14	B015281	01.07	5
878153	01.14	7	AP9150167	01.05	20	B015362	01.18	25
878162	01.14	13	AP9150167	01.18	15	B015423	01.11	15
878622	01.23	3	AP9150355	01.05	21	B015425	01.05	15
878718	01.14	37	AP9150355	01.18	16	B015581	01.05	28
878741	01.14	24	AP9150472	01.23	15	B015581	01.18	29
878743	01.14	36	B013014	01.23	16	B015618	01.07	8
878750	01.23	6	B013302	01.42	12	B015619	01.07	8
878753	01.18	21	B013311	01.13	6	B015620	01.07	8
8787565	01.23	1	B013371	01.10	15	B015679	01.14	2
878766	01.23	5	B013469	01.14	25	B0157415	01.25	8
878782	01.14	38	B013477	01.10	16	B0158004	01.10	1
878810	01.13	7	B013593	01.10	20	B015804	01.25	9
878859	01.10	4	B013608	01.05	5	B015835	01.14	1
878860	01.10	6	B013688	01.14	10	B015885	01.42	21
878881	01.14	4	B013805	01.45	1	B0158900001	01.05	1
878896	01.07	7	B013810	01.45	7	B0158900002	01.05	1
878897	01.07	6	B013841	01.11	13	B0159005	01.15	1
8789015	01.25	1	B013855	01.36	5	B0161755	01.18	7
878906	01.10	24	B013949	01.45	8	B016176	01.18	8
878948	01.13	11	B013969	01.23	9	B016425	01.05	16
878949	01.13	12	B013970	01.18	23	B016510	01.14	22
878950	01.14	21	B014079	01.10	14	B016511	01.14	34
878953	01.14	20	B014085	01.15	9	B0167080001	01.06	1
879027	01.18	9	B014176	01.14	28	B0167080002	01.06	1



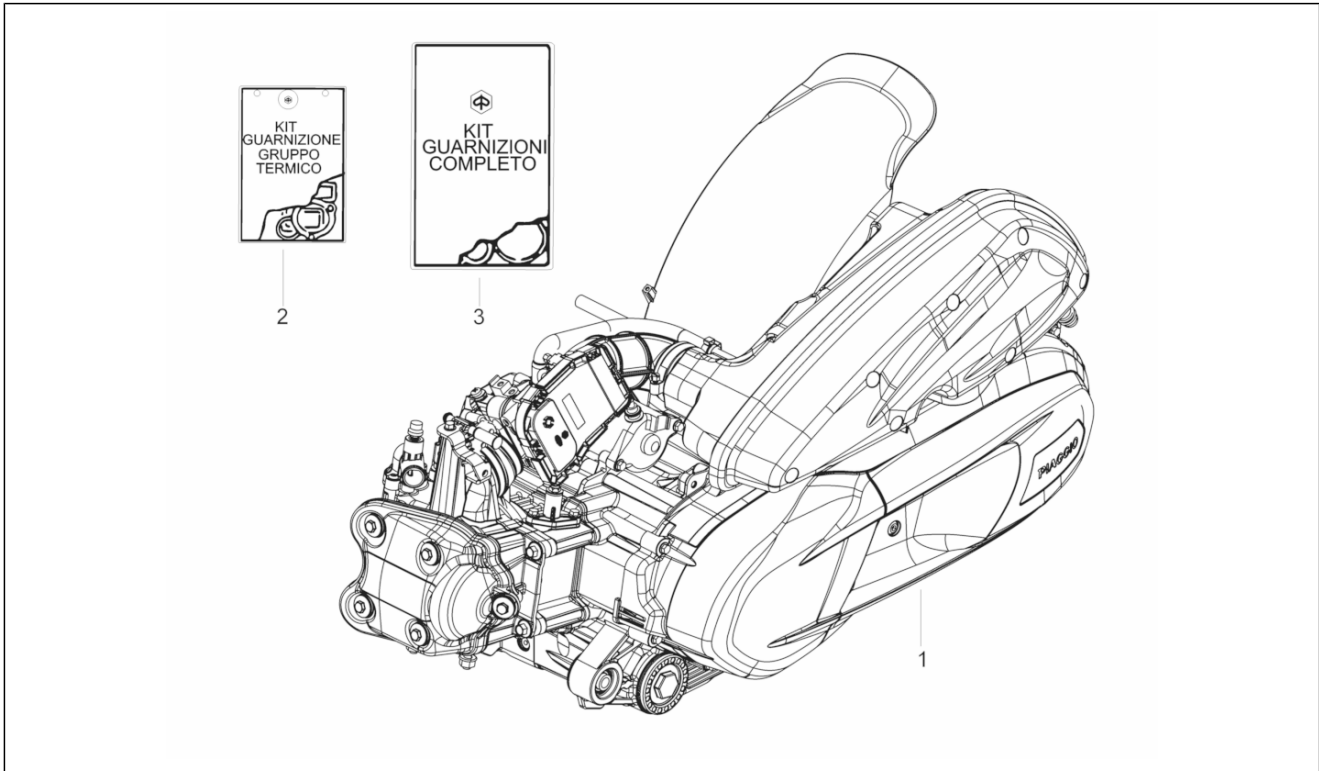


Code	No. table	Pos.
B016774	01.18	10
B016792	01.15	5
B016792	06.06	4
B016799	01.11	12
B016998	01.23	6
B017296	01.18	28
CM001902	01.23	18
CM001902	02.55	20
CM001904	02.55	21
CM001913	01.45	9
CM001914	02.61	10
CM001915	02.55	22
CM001917	02.55	24
CM001921	01.23	17
CM001922	02.55	25
CM002910	01.45	10
CM006312	02.30	4
CM006902	06.08	20
CM006903	06.08	24
CM006905	02.53	6
CM006907	06.08	19
CM006908	06.06	16
CM006908	06.08	26
CM006911	06.04	20
CM006914	02.55	23
CM007017	02.55	8
CM007018	02.55	9
CM011101	02.31	11
CM012841	02.46	23
CM012842	02.46	26
CM013203	06.08	15
CM017409	03.01	5
CM017409	06.05	9
CM017410	02.26	8
CM017410	02.31	14
CM017410	02.31	21
CM017410	02.31	23
CM017410	02.32	11
CM017410	02.32	9
CM017410	02.33	16
CM017410	02.34	2
CM017410	02.61	18
CM017410	06.03	7
CM017410	06.04	6
CM023701	02.46	24
CM025718	02.47	2
CM028207	02.61	13
CM067807	04.01	13
CM067809	04.01	8
CM071802	06.05	6
CM080904	06.08	4
CM080906	06.08	4
CM080907	06.08	4
CM080910	06.08	4
CM084201	03.06	10
CM084202	03.06	7
CM085206	01.36	1
CM085601	05.01	1
CM086003	03.06	15
CM086005	03.06	13
CM086101	05.01	28
CM163201	01.10	10
CM163202	01.10	10
CM163203	01.10	10
CM163204	01.10	10
CM163205	01.10	10
CM163206	01.10	10

Code	No. table	Pos.
CM163207	01.10	10
CM163208	01.10	10
CM163209	01.10	10
CM163210	01.10	10
CM163211	01.10	10
CM163212	01.10	10
CM163213	01.10	10
CM163214	01.10	10
CM163215	01.10	10
CM163216	01.10	10
CM163217	01.10	10
CM163218	01.10	10
CM163219	01.10	10
CM163220	01.10	10
CM163221	01.10	10
CM1659025	01.02	1
CM177906	02.61	15
CM177937	02.61	12
CM177938	02.61	9
CM177939	02.61	8
CM178601	02.31	17
CM178601	02.31	20
CM178601	02.31	22
CM178601	02.31	24
CM178601	02.34	16
CM178601	02.37	16
CM178601	02.61	17
CM178601	06.03	8
CM178601	06.04	7
CM178601	06.05	8
CM178603	02.34	11
CM178604	02.31	13
CM178604	02.32	10
CM178604	02.33	15
CM178604	02.44	9
CM178606	03.01	4
CM178608	02.26	6
CM178608	02.30	25
CM179101	02.30	13
CM179201	02.26	3
CM179201	02.30	5
CM179201	02.31	15
CM179201	02.34	8
CM179201	06.04	8
CM179202	02.30	11
CM179202	02.31	19
CM179202	02.46	25
CM179301	02.01	17
CM179301	02.34	7
CM179301	02.46	22
CM179301	02.55	17
CM179301	02.61	4
CM179301	06.04	3
CM179302	02.37	2
CM179302	02.39	7
CM179305	02.55	10
CM179305	02.55	16
CM179907	02.45	3
CM179908	02.45	1
CM180701	02.30	30
CM180701	02.31	12
CM180701	02.32	7
CM180701	02.32	8
CM180701	02.33	18
CM180701	02.55	19
CM180701	03.01	3
CM180701	03.01	6

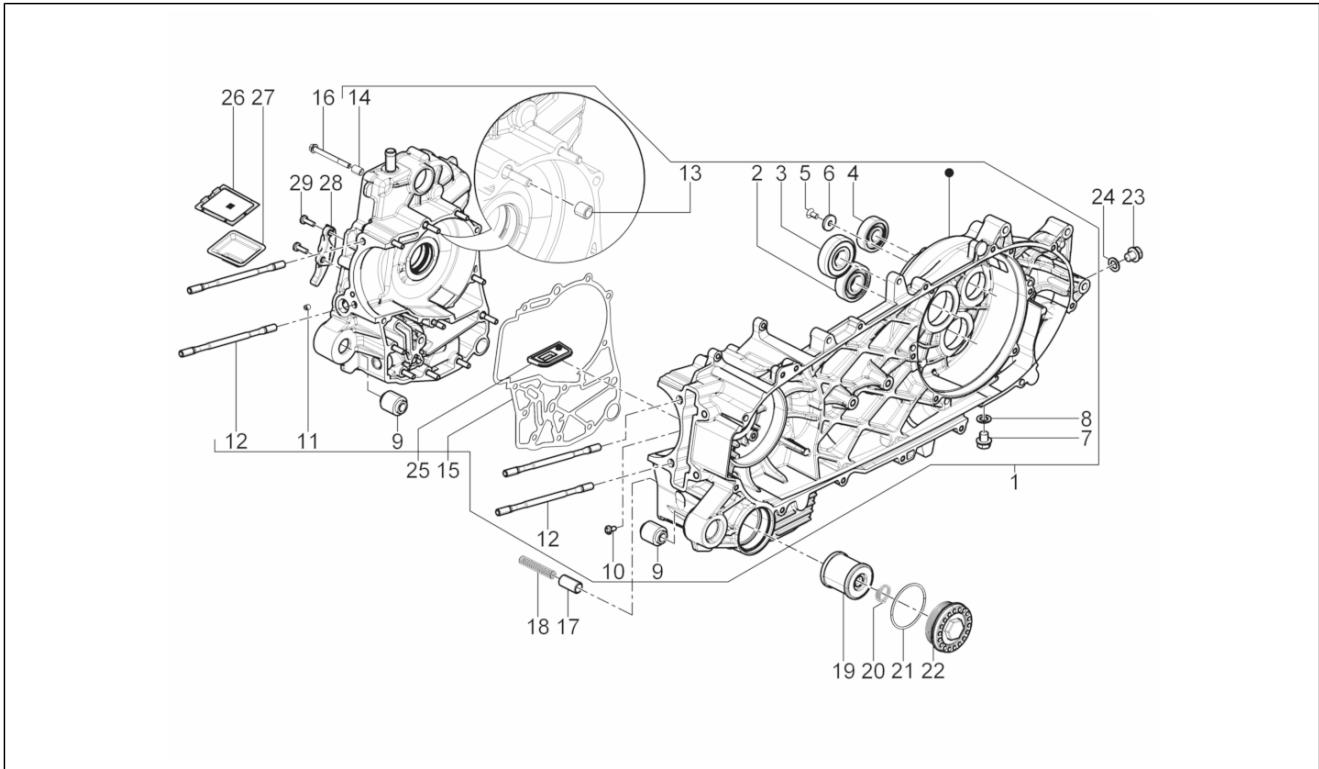
Code	No. table	Pos.
CM180701	06.04	5
CM180702	03.01	14
CM180702	03.02	3
D9004468091	02.26	7
D9004468091	02.44	10
D9004468091	03.01	12

Group	Engine
Code	01.02
Description	Engine, assembly
Service	1



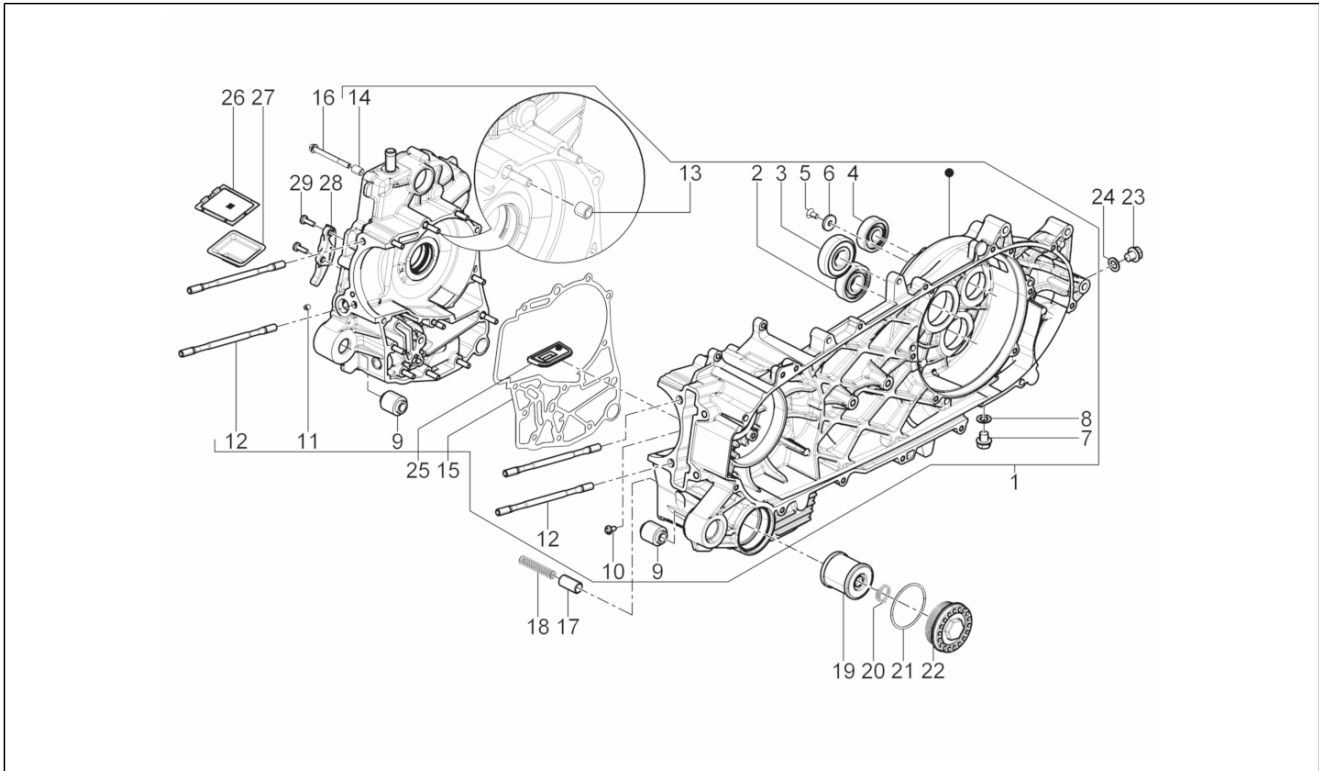
Pos.	Code	Description	Qty	Variants
1	CM1659025	Motore 350 4T/4V i.e. E3 USA	1	
2	497614	Thermal group service gasket kit	1	
3	497615	Gaskets kit	1	

Group	Engine
Code	01.05
Description	Crankcase
Service	1



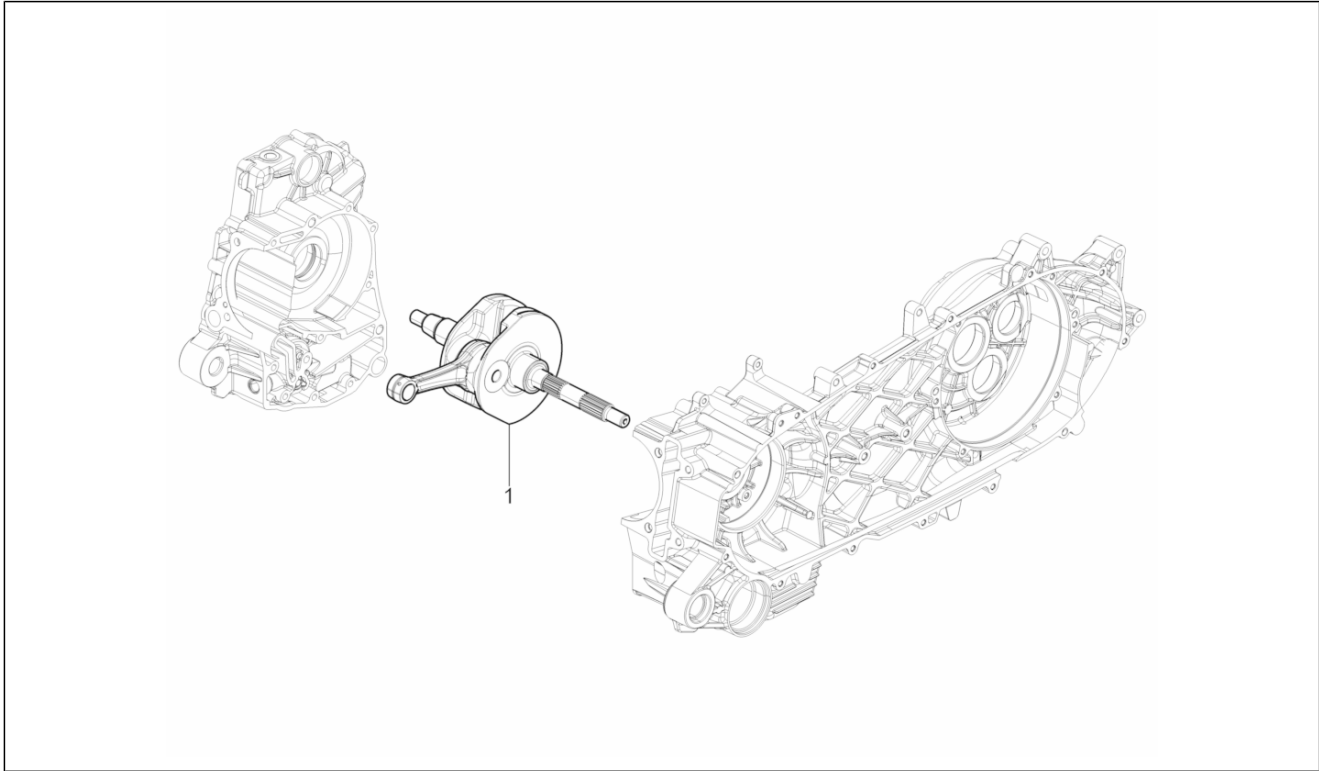
Pos.	Code	Description	Qty	Variants
1	B0158900001	CARTER COMPLETO 1° CAT.	1	
1	B0158900002	CARTER COMPLETO 2° CAT.	1	
2	485913	Radial bearing 20x47x14	1	
3	83018R	Radial ball bearing 15x42x13	1	
4	B015269	Radial bearing	1	
5	B013608	Screw	1	
6	873905	Washer	1	
7	847174	screw	1	
8	847238	Washer	1	
9	486081	Silent-block	2	
10	B015068	Ugello calibrato	1	
11	B015069	Ugello calibrato	1	
12	877285	Stud bolt	4	
13	239388	Pin 6,5x9,5x15	2	
14	478115	Locating dowel $\varnothing 11 \times \varnothing 8,1 \times 10$	2	
15	B015425	Half crankcase gasket	1	
16	432142	screw M6x60	13	
16	B016425	Screw w/ flange M6x60	13	
17	829661	Oil pressure valve	1	
18	485655	Spring	1	
19	880887	Oil filter	1	
20	AP9150167	Spring	1	
21	AP9150355	O-ring D53,65x2,68	1	
22	851295	Oil filter cover	1	
23	847174	screw	1	
24	847238	Washer	1	
25	877704	Reeds bracket	1	
26	877822	Intake oil filter	1	

Group	Engine
Code	01.05
Description	Crankcase
Service	1



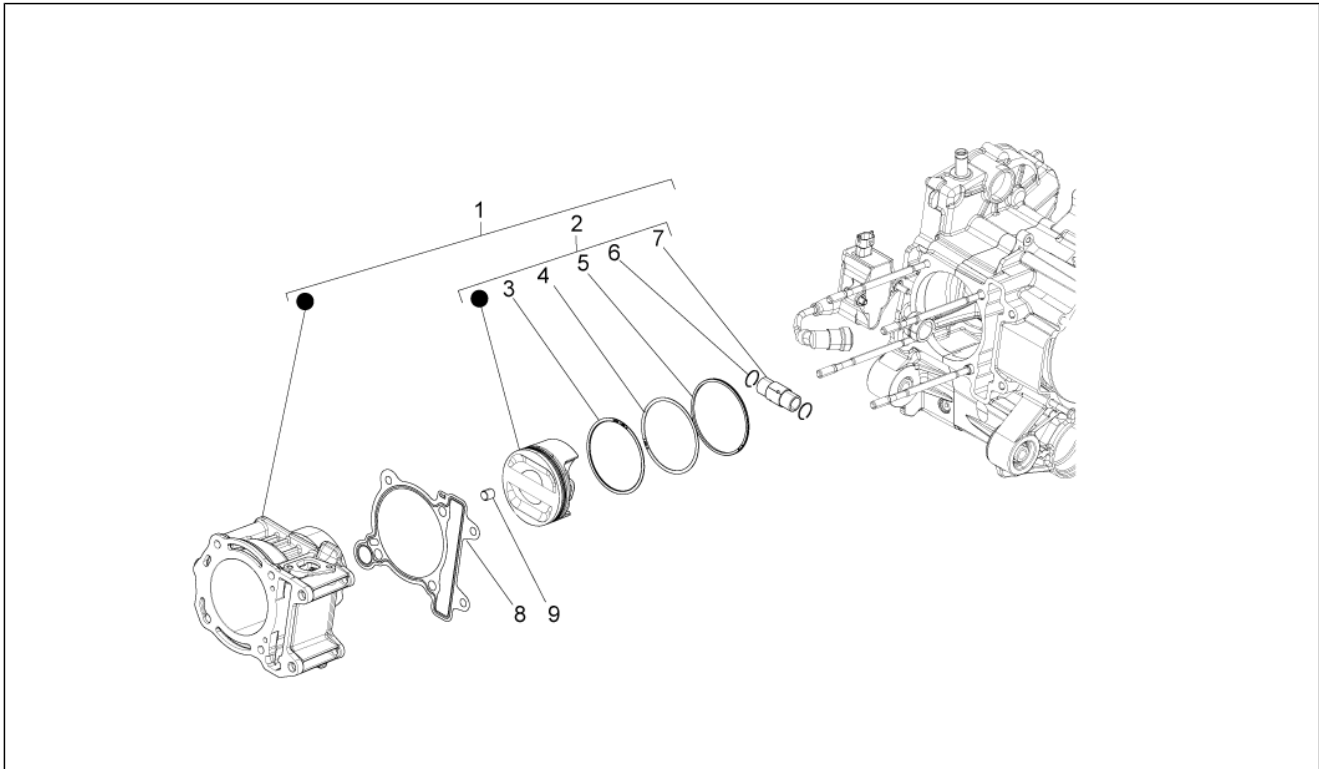
Pos.	Code	Description	Qty	Variants
27	877823	Lamierino aspirazione olio	1	
28	B015581	Chain tensioner sliding block	1	
29	873102	screw	2	

Group	Engine
Code	01.06
Description	Crankshaft
Service	1



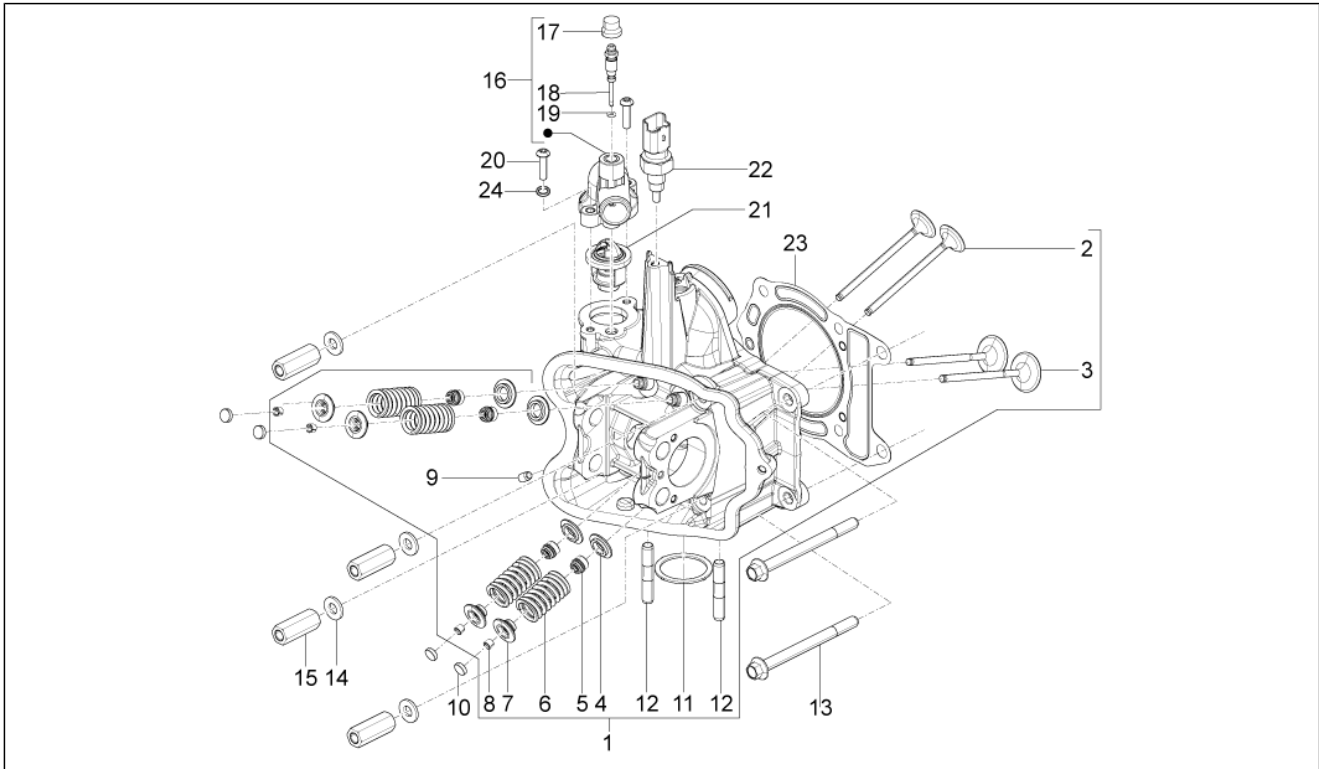
Pos.	Code	Description	Qty	Variants
1	B0167080001	Crankshaft cpl.,cat.1	1	
1	B0167080002	Crankshaft cpl.,cat.2	1	

Group	Engine
Code	01.07
Description	Cylinder-piston-wrist pin unit
Service	1



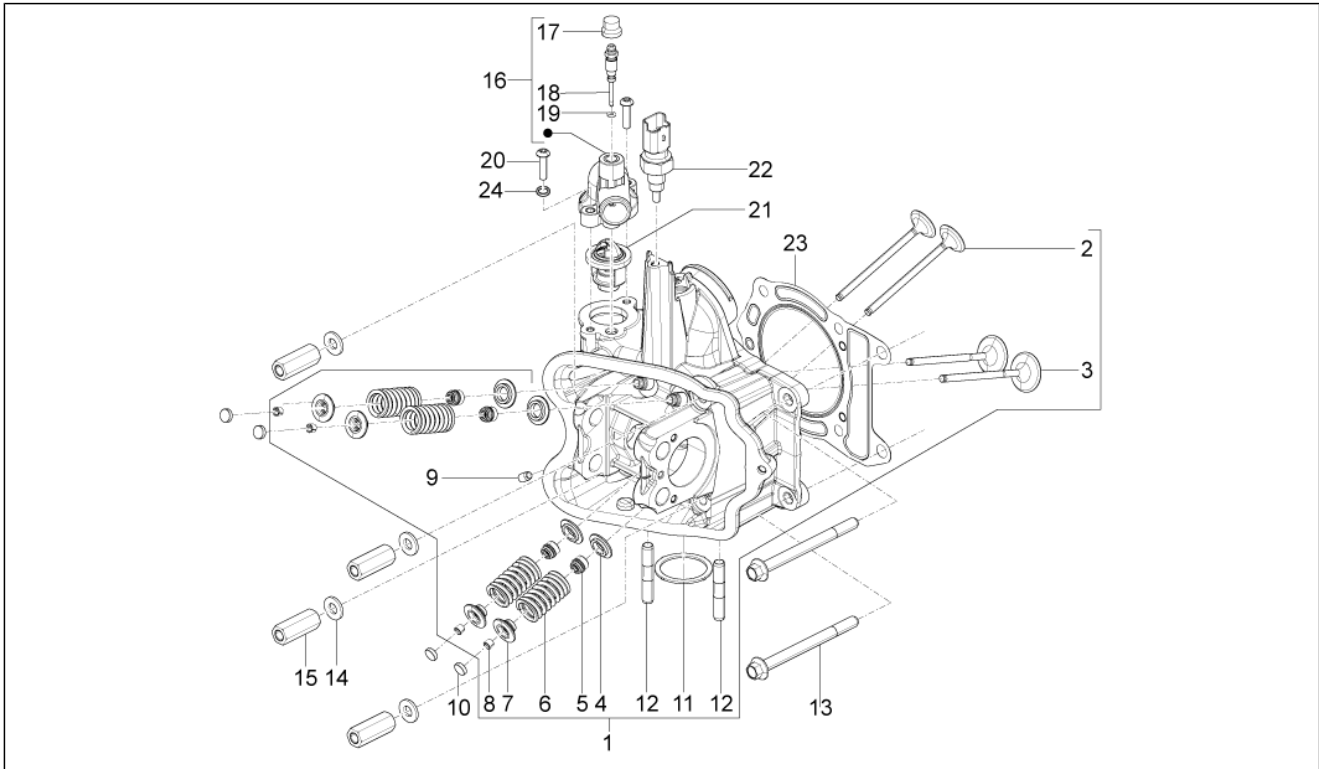
Pos.	Code	Description	Qty	Variants
1	B015036	Cyl.pist.-wrist pin assy unit	1	
2	B0150370001	Piston-wrist pin assy. class 1	1	
2	B0150370002	Piston-wrist pin assy. class 2	1	
2	B0150370003	Piston-wrist pin assy. class 3	1	
2	B0150370004	Piston-wrist pin assy. class 4	1	
3	B015279	Compression ring $\varnothing 78 \times 1 \times 3.35$	1	
4	B015280	Oil scraper ring $\varnothing 78 \times 1 \times 3.25$	1	
5	B015281	Oil scraper ring $\varnothing 78 \times 2 \times 3.2$	1	
6	878897	Anello elastico ritegno spinotto	2	
7	878896	Gudgeon bucket	1	
8	B015618	Guarnizione carter-cilindro 0,2 mm	0.33	
8	B015619	Guarnizione carter-cilindro 0,3 mm	0.33	
8	B015620	Guarnizione carter-cilindro 0,4 mm	0.33	
9	435571	Locating dowel	4	

Group	Engine
Code	01.10
Description	Head unit - Valve
Service	1



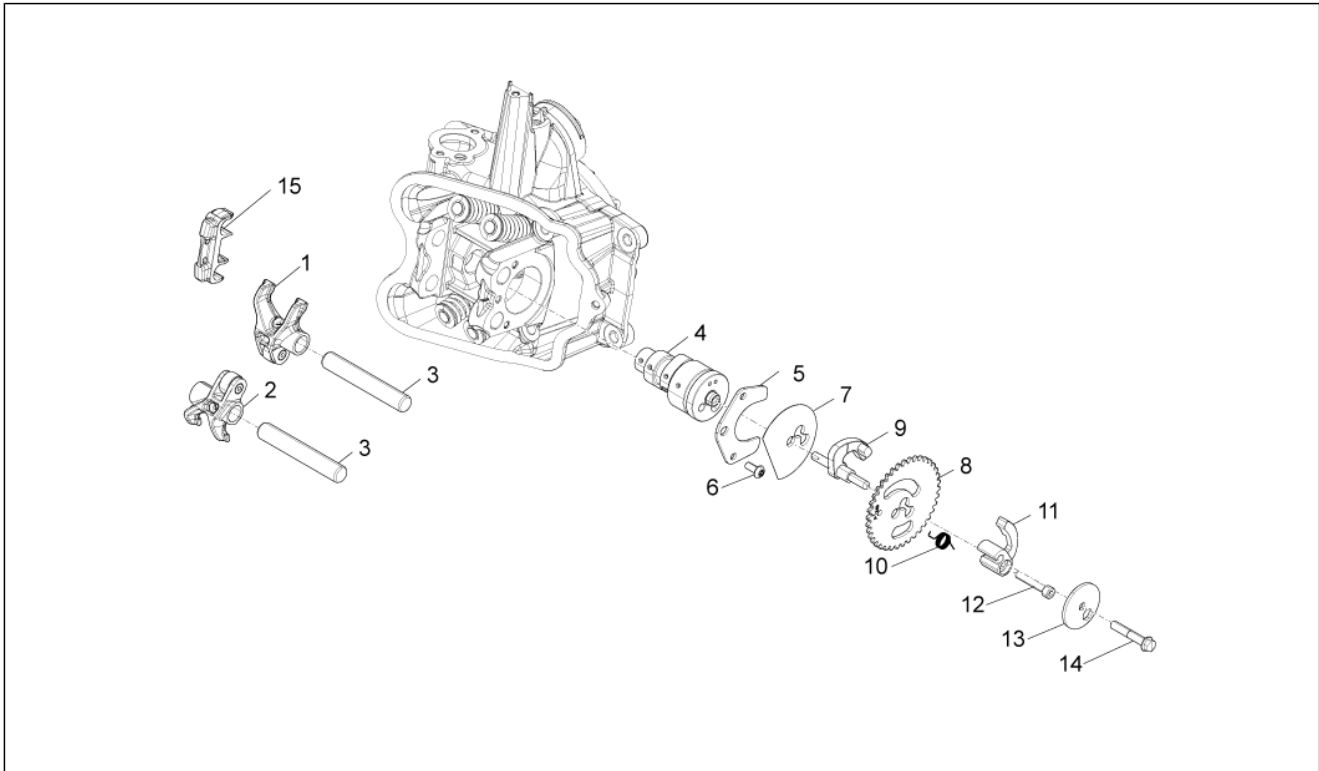
Pos.	Code	Description	Qty	Variants
1	B0158004	Cylinder head assembly	1	
2	880602	Exhaust valve	2	
3	880601	Valve, in	2	
4	878859	Lower cap	4	
5	436438	Valve gasket ring	4	
6	878860	Valve spring	4	
7	879813	Upper cap	4	
8	285846	Valve half-cone	8	
9	842360	Plug M6x10	1	
10	CM163201	Pasticca calibrata 2,40 mm	1	
10	CM163202	Pasticca calibrata 2,45 mm	1	
10	CM163203	Pasticca calibrata 2,50 mm	1	
10	CM163204	Pasticca calibrata 2,55 mm	1	
10	CM163205	Pasticca calibrata 2,60 mm	1	
10	CM163206	Pasticca calibrata 2,65 mm	1	
10	CM163207	Pasticca calibrata 2,70 mm	1	
10	CM163208	Pasticca calibrata 2,75 mm	1	
10	CM163209	Pasticca calibrata 2,80 mm	1	
10	CM163210	Pasticca calibrata 2,85 mm	1	
10	CM163211	Pasticca calibrata 2,90 mm	1	
10	CM163212	Pasticca calibrata 2,95 mm	1	
10	CM163213	Pasticca calibrata 3,00 mm	1	
10	CM163214	Pasticca calibrata 3,05 mm	1	
10	CM163215	Pasticca calibrata 3,10 mm	1	
10	CM163216	Pasticca calibrata 3,15 mm	1	
10	CM163217	Pasticca calibrata 3,20 mm	1	
10	CM163218	Pasticca calibrata 3,25 mm	1	
10	CM163219	Pasticca calibrata 3,30 mm	1	

Group	Engine
Code	01.10
Description	Head unit - Valve
Service	1



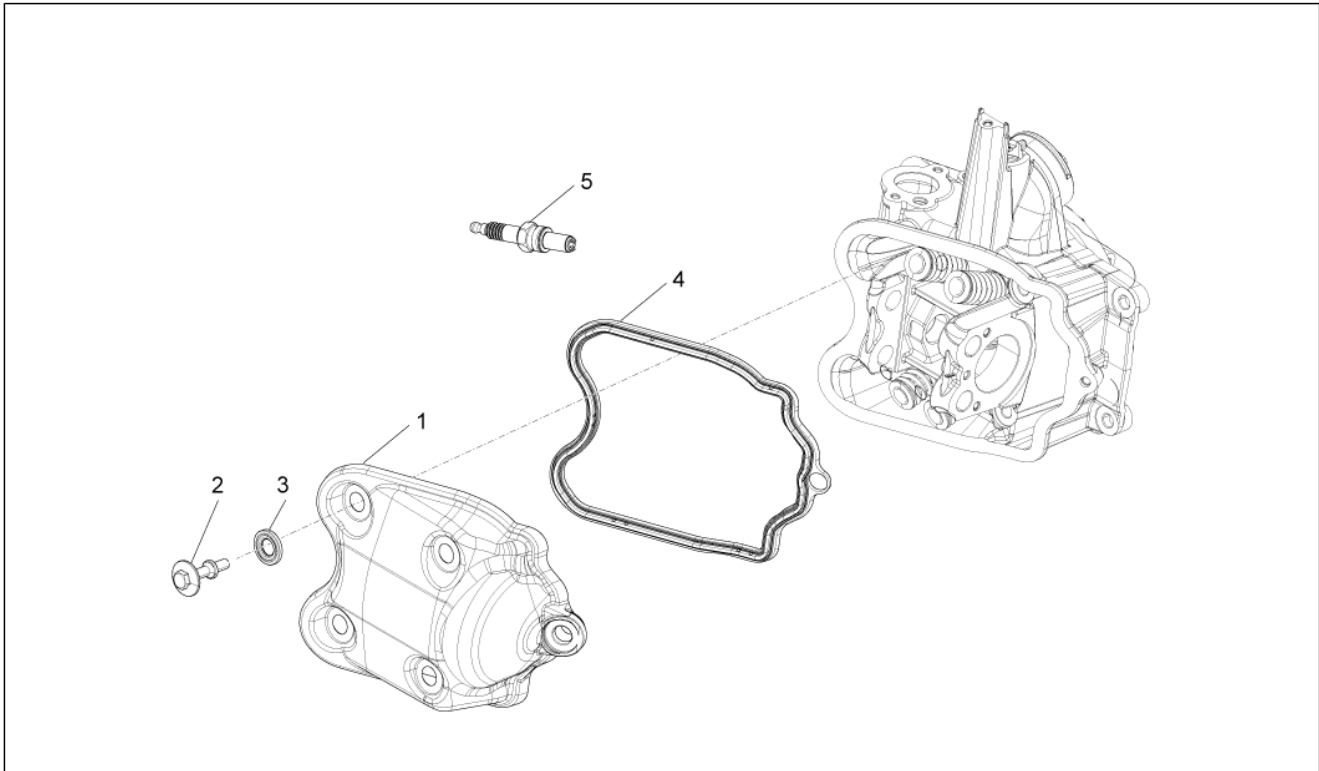
Pos.	Code	Description	Qty	Variants
10	CM163220	Pasticca calibrata 3,35 mm	1	
10	CM163221	Pasticca calibrata 3,40 mm	1	
11	879662	Exhaust pipe gasket	1	
12	827018	Exhaust pipe stud bolt M8X3X46	2	
13	845753	Hex socket screw M5x20	2	
14	B014079	Flat washer	4	
15	B013371	Dado esagonale alto	4	
16	B013477	Thermostat cover	1	
17	063435	Bleed valve cap	1	
18	845605	Bleed screw	1	
19	297027	Gasket	1	
20	B013593	Screw w/ flange	2	
21	82831R	Thermostat	1	
22	640485	Temperature gauge	1	
23	B015183	Guarnizione cilindro/testa	1	
24	878906	Packing	1	

Group	Engine
Code	01.11
Description	Rocking levers support unit
Service	1



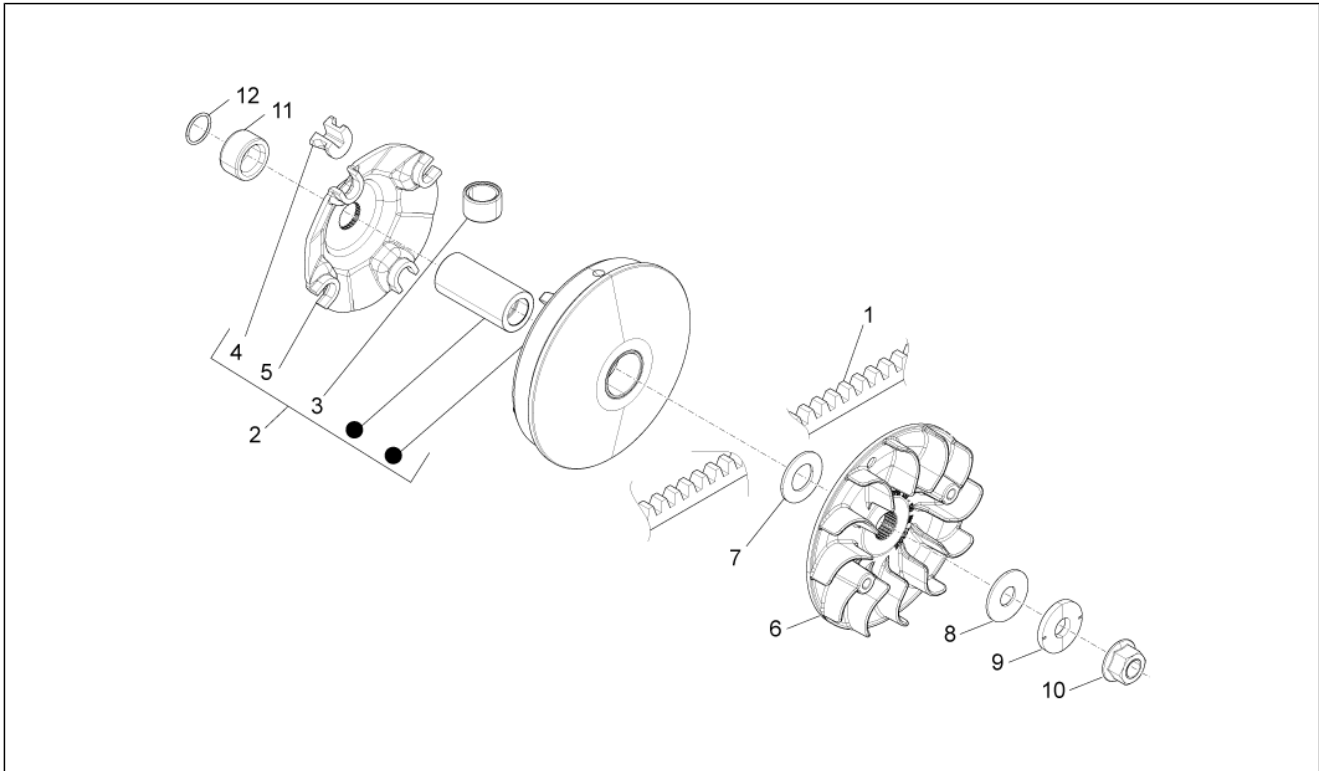
Pos.	Code	Description	Qty	Variants
1	880631	Rocker arm inlet	1	
2	880633	Rocker arm exhaust	1	
3	880715	Rocker arms axis	2	
4	B0151755	Camshaft	1	
5	880688	Camshaft plate	1	
6	B014598	Torx Screw M5x12	2	
7	880991	Washer	1	
8	B014970	Timing system gear	1	
9	B0149715	Decompression counterweight	1	
10	B014925	Molla decompressione	1	
11	880893	Decompressor counterweight	1	
12	018538	Hex socket screw M5x30	1	
12	B016799	Hex socket screw M5x30	1	
13	B013841	Washer	1	
14	414838	screw M6x35	1	
15	B015423	Ritegno bilancieri	1	

Group	Engine
Code	01.12
Description	Cylinder head cover
Service	1



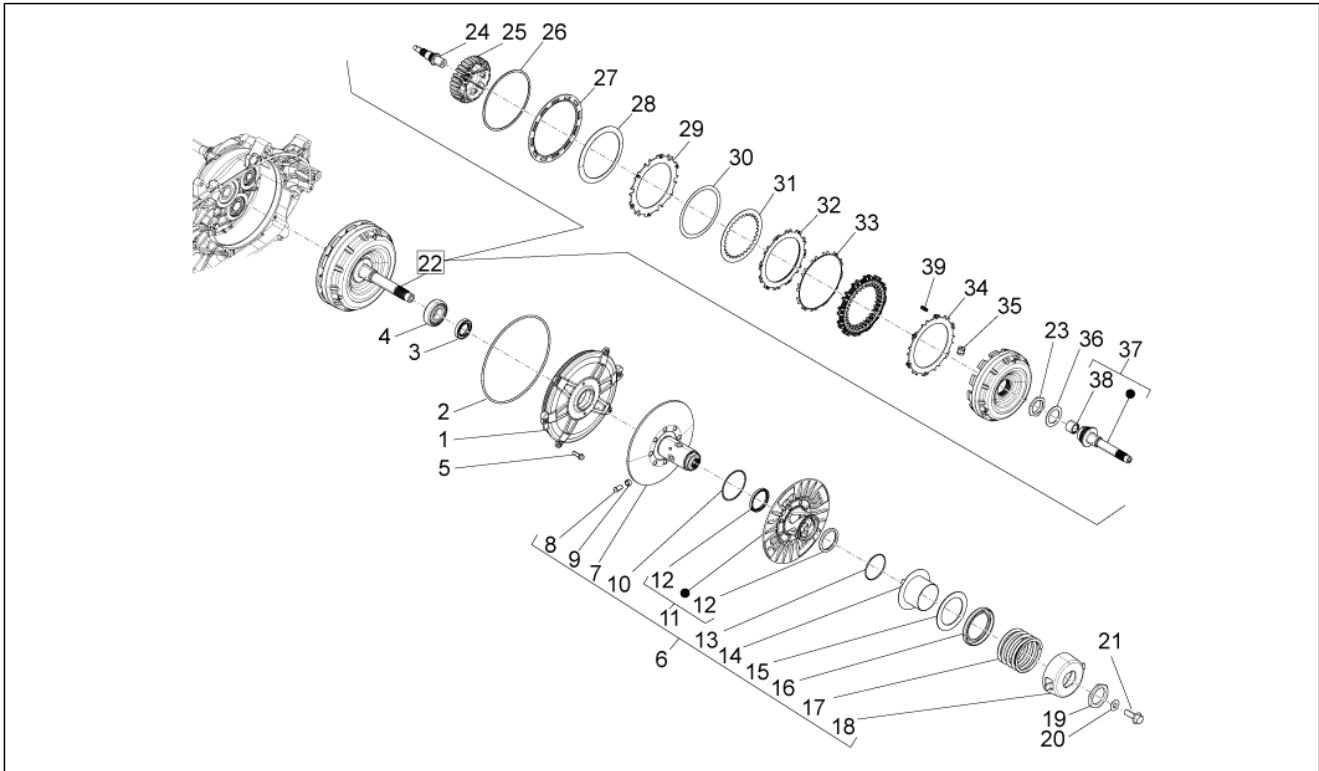
Pos.	Code	Description	Qty	Variants
1	880661	Head cover	1	
2	872635	Special screw	5	
3	830249	Damper drift	5	
4	880662	Head cover gasket	1	
5	829981	Spark plug NGK R CR7EK	1	

Group	Engine
Code	01.13
Description	Driving pulley
Service	1



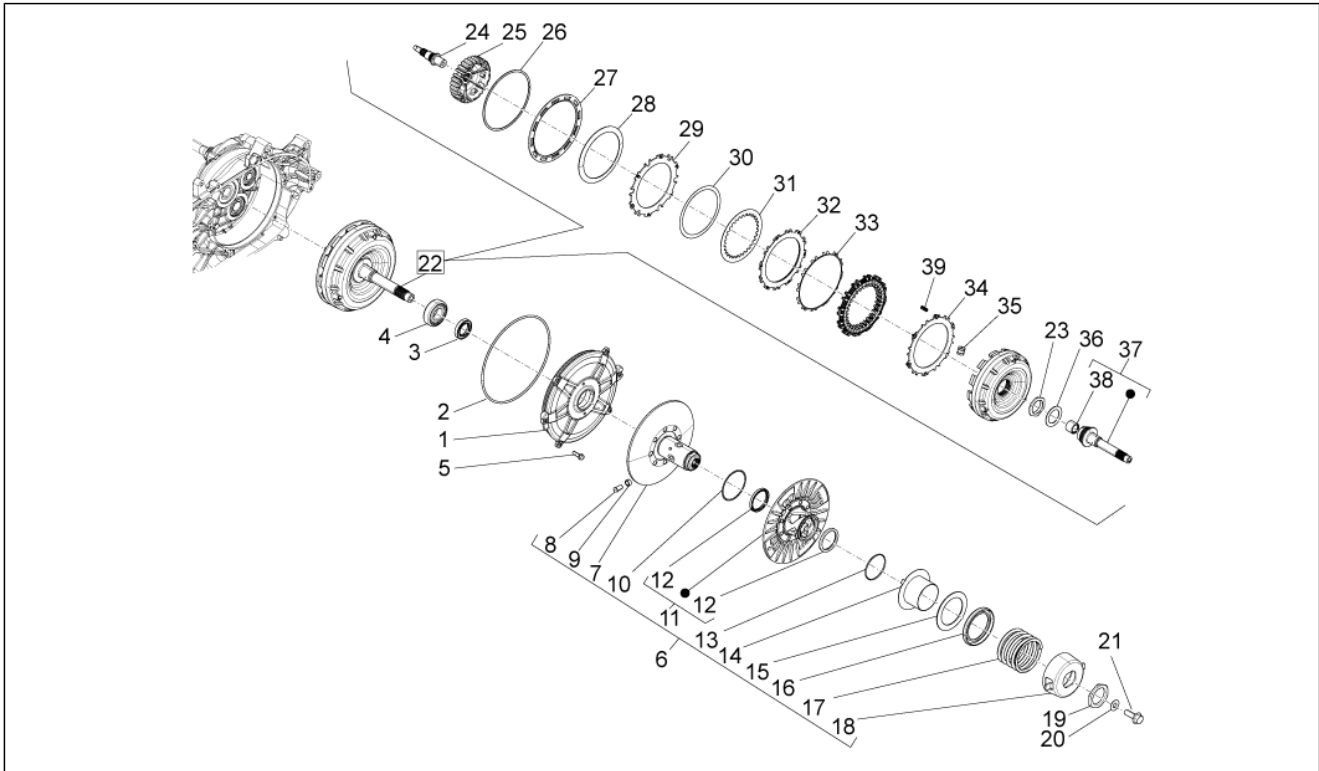
Pos.	Code	Description	Qty	Variants
1	83025R	V-belt	1	
2	878142	Complete roller housing	1	
3	B014273	Not available	8	
4	B014584	Sliding block	4	
5	B014703	Roller contrast	1	
6	B013311	Fixed driving half pulley	1	
7	878810	Flat washer	1	
8	840655	Flat washer	1	
9	B015049	Belleville spring	1	
10	827116	Nut M14x1,5	1	
11	878948	Spacer	1	
12	878949	Gasket ring	1	

Group	Engine
Code	01.14
Description	Driven pulley
Service	1



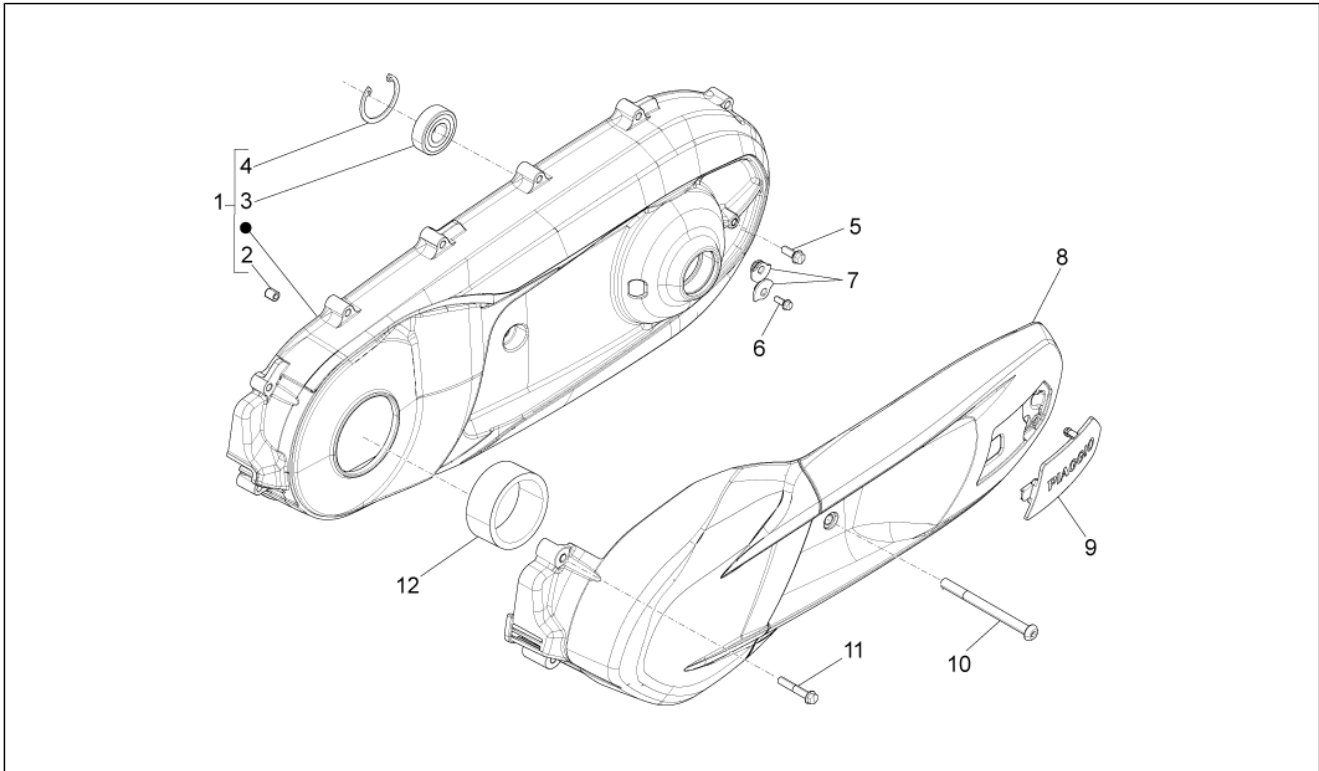
Pos.	Code	Description	Qty	Variants
1	B015835	Clutch cover	1	
2	B015679	Gasket	1	
3	873931	Gasket ring 40x25x7	1	
4	878881	Radial ball bearing	1	
5	018639	Hex screw M6x20	6	
6	B015114	Clutch driven pulley assy.	1	
7	878153	Fixed driven half pulley	1	
8	B014180	Perno correttore di coppia	4	
9	880850	Rullo correttore coppia	4	
10	B013688	Gasket	1	
11	879389	Adjustable pulley, half	1	
12	431089	Gasket ring	2	
13	878162	Gasket	1	
14	B014906	Pulley side cap	1	
15	B014599	Sliding washer	1	
16	B015110	Spring seat	1	
17	B015119	Variator spring	1	
18	B015109	Spring seat	1	
19	433232	Ring nut	1	
20	878953	Flat washer	1	
21	878950	Screw w/ flange	1	
22	B016510	Centrifugal clutch assembly	1	
23	B014882	Ring nut	1	
24	878741	Drive shaft	1	
25	B013469	Clutch hub	1	
26	876986	Snap ring	1	
27	876987	Anello contenimento dischi	1	
28	B014176	Belleville spring	1	

Group	Engine
Code	01.14
Description	Driven pulley
Service	1



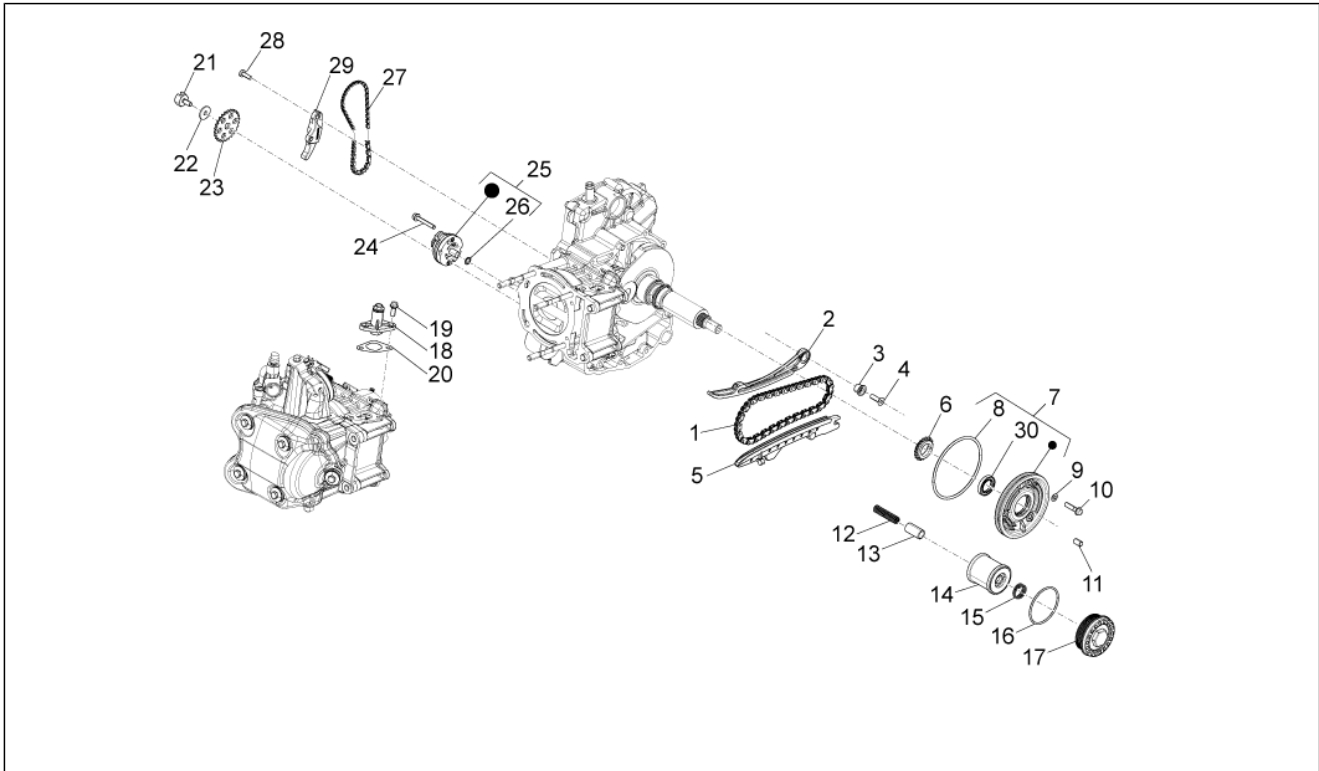
Pos.	Code	Description	Qty	Variants
29	876982	Disco portamolle superiore	1	
30	876976	Disco condotto guarnito	2	
31	876975	Driven clutch disc	2	
32	B014181	Driving clutch disc	3	
33	B014186	Snap ring	4	
34	B016511	Disco portamolle inferiore	1	
35	876977	Not available	12	
36	878743	Flat washer	1	
37	878718	Driven pulley shaft	1	
38	878782	Needle bearing	1	
39	877001	Clutch spring	6	

Group	Engine
Code	01.15
Description	Crankcase cover - Crankcase cooling
Service	1



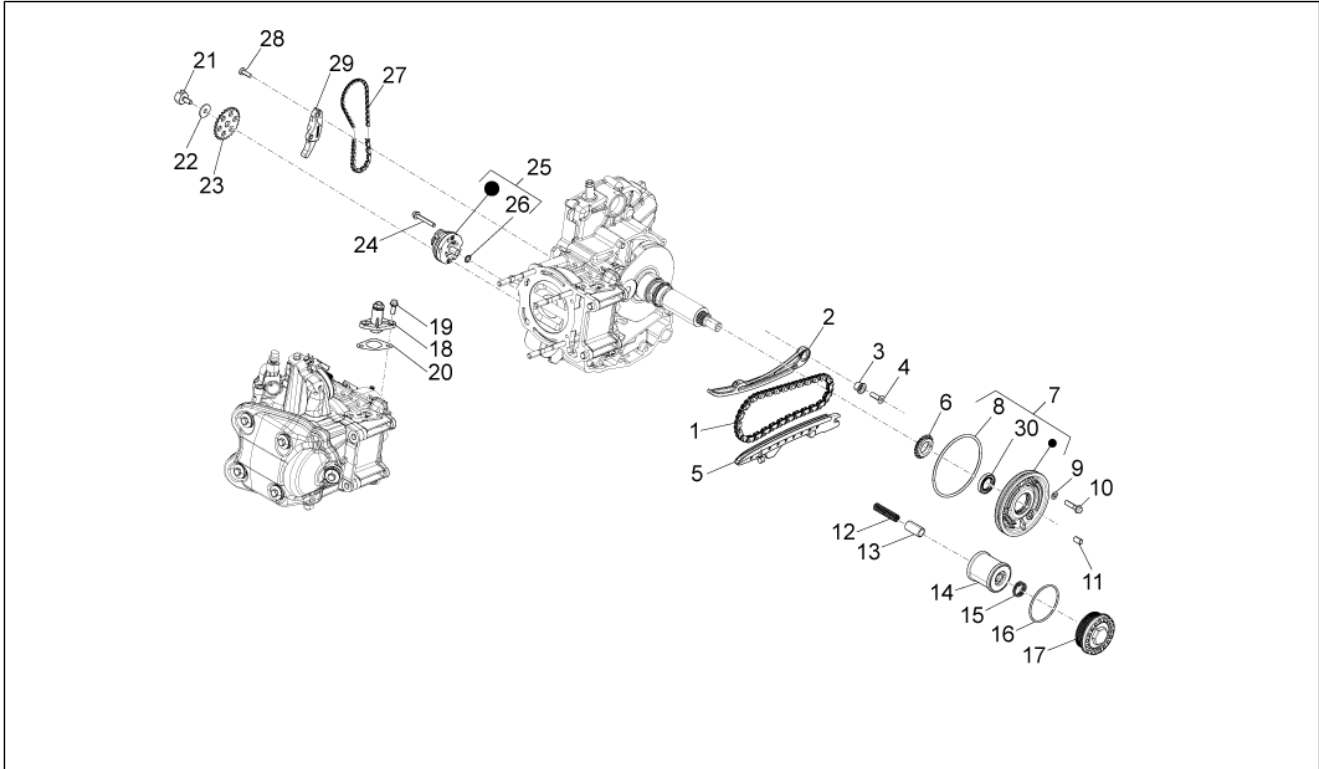
Pos.	Code	Description	Qty	Variants
1	B0159005	Complete transmission cover	1	
2	277916	Locating dowel	2	
3	840277	Radial bearing	1	
4	825667	Circlip	1	
5	289731	Screw w/ flange M6x30	11	
5	B016792	Screw w/ flange M6x30	11	
6	434541	Screw w/ flange M6x16	1	
7	871458	Mounting drift	3	
8	B014520	Cover engine assy, insulator	1	
9	B014085	Coperchio con logo	1	
10	B014475	Hex socket screw	1	
11	414838	screw M6x35	2	
12	880148	Filtering element	1	

Group	Engine
Code	01.18
Description	Oil pump
Service	1



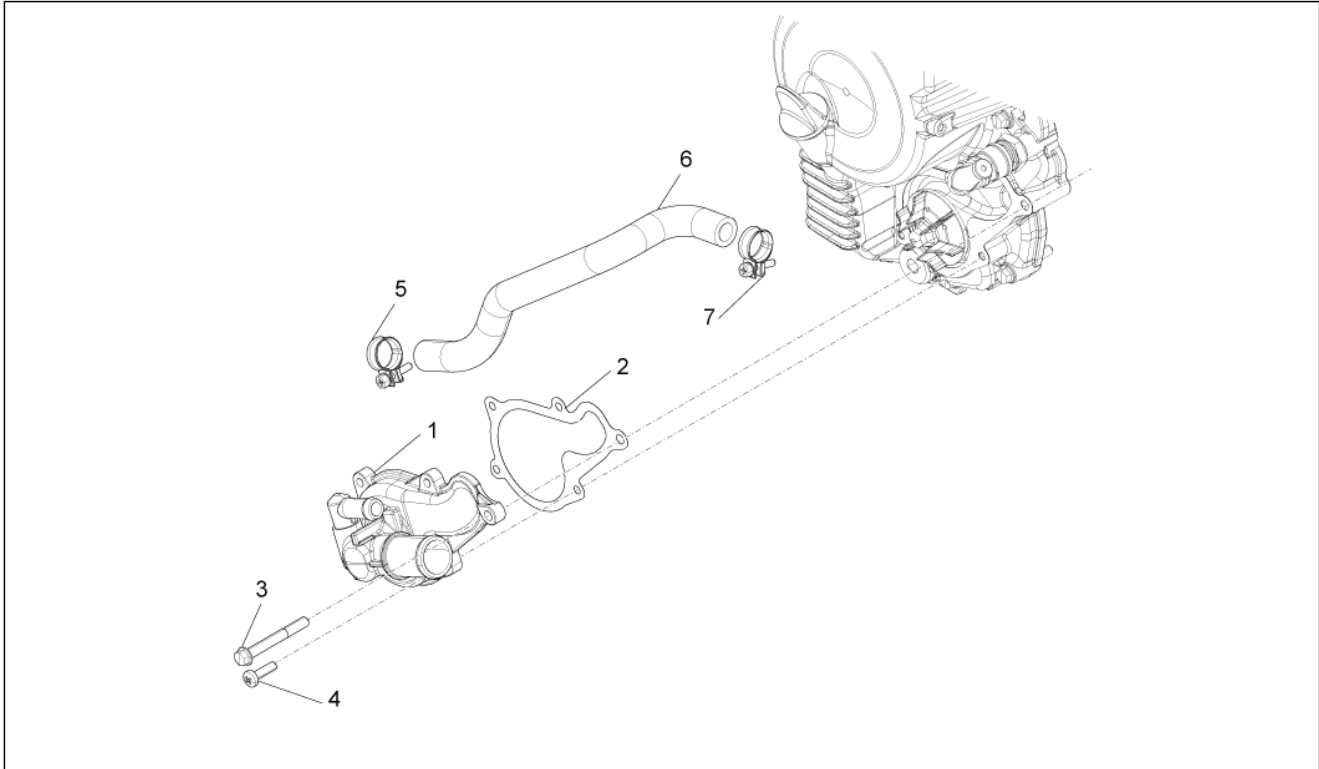
Pos.	Code	Description	Qty	Variants
1	82992R	Camshaft chain	1	
2	B015195	Chain tensioner rod	1	
3	825737	Spacer	1	
4	874037	Screw	1	
5	880645	Chain guide plate	1	
6	82782R	Timing chain pinion	1	
7	B0161755	Timing system cover cpl.	1	
8	B016176	Gasket	1	
9	879027	Plain washer	3	
10	414837	Screw w/ flange M6x25	3	
10	B016774	Screw w/ flange M6x25	3	
11	277916	Locating dowel	3	
12	485655	Spring	1	
13	829661	Oil pressure valve	1	
14	880887	Oil filter	1	
15	AP9150167	Spring	1	
16	AP9150355	O-ring D53,65x2,68	1	
17	851295	Oil filter cover	1	
18	289919	Chain tensioner	1	
19	434541	Screw w/ flange M6x16	2	
20	847928	Gasket	1	
21	878753	Special screw	1	
22	436695	Belleville spring $\varnothing 6,4 \times \varnothing 20 \times 2$	1	
23	B013970	Oil pump gear	1	
24	829593	Screw w/ flange M5x35	2	
25	880449	Oil pump assy.	1	
25	B015362	Oil pump assy.	1	
26	871301	Snap ring	1	

Group	Engine
Code	01.18
Description	Oil pump
Service	1



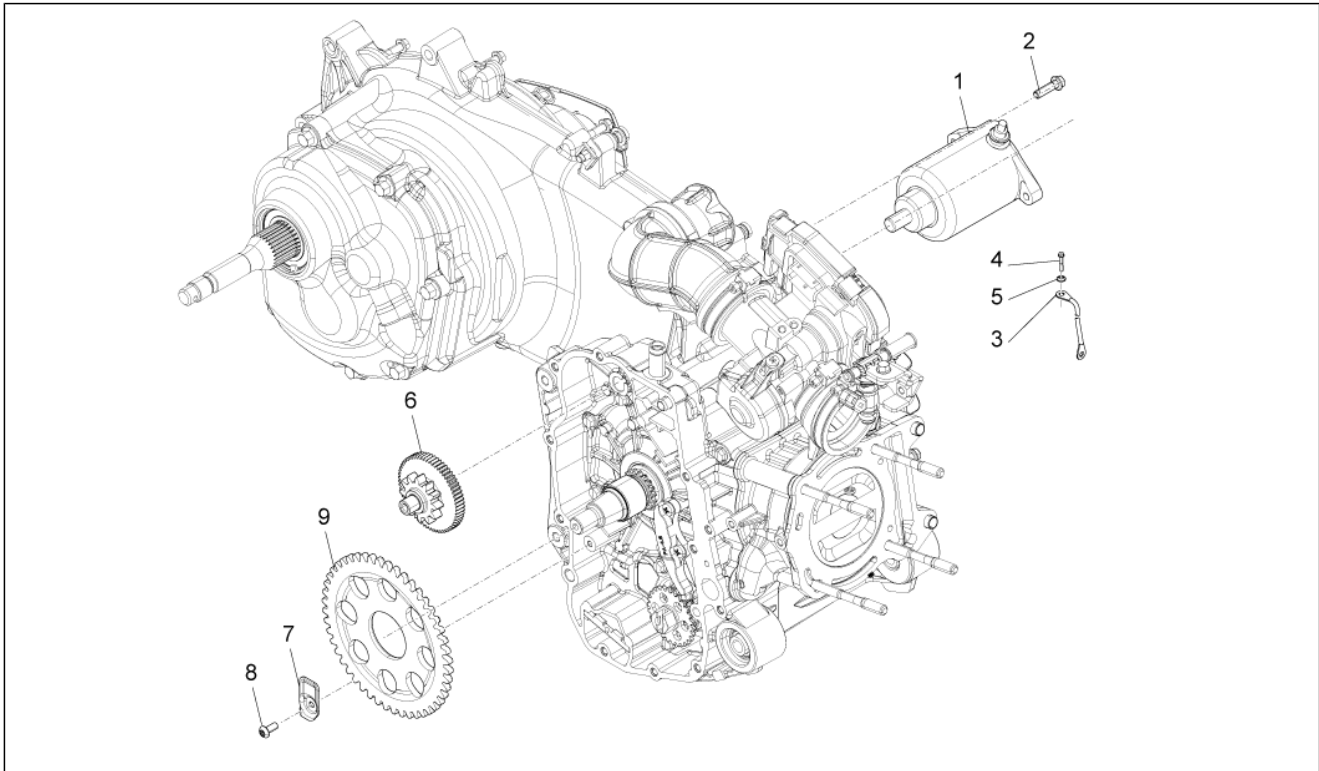
Pos.	Code	Description	Qty	Variants
27	831333	Oil pump chain	1	
28	873102	screw	2	
28	B017296	Torx Screw	2	
29	B015581	Chain tensioner sliding block	1	
30	B014441	Gasket ring 30x40x7	1	

Group	Engine
Code	01.19
Description	Cooler pump
Service	1



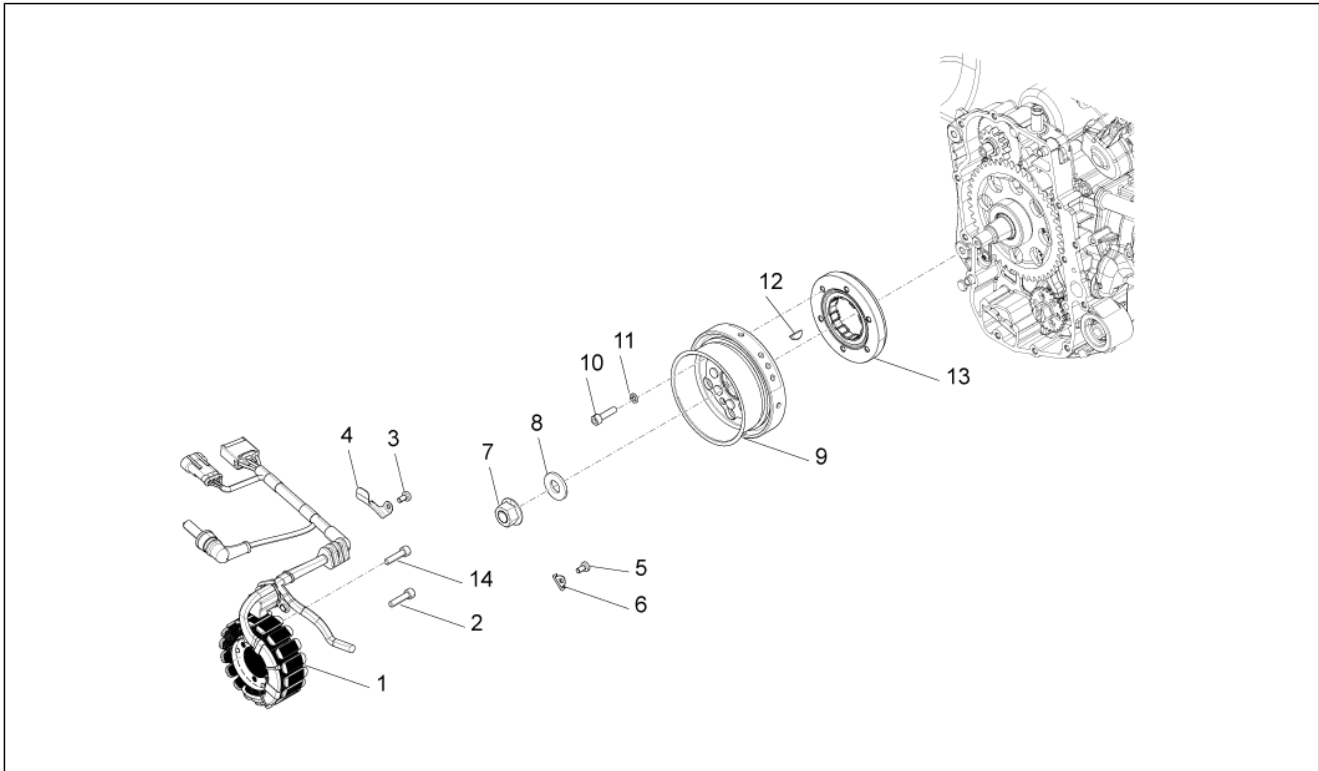
Pos.	Code	Description	Qty	Variants
1	880401	Water pump cover	1	
2	880727	Water pump cover gasket	1	
3	430207	screw M6x50	1	
4	834065	screw	4	
5	879888	Fastening clamp	1	
6	879816	By-pass pipe	1	
7	879888	Fastening clamp	1	

Group	Engine
Code	01.20
Description	Stater - Electric starter
Service	1



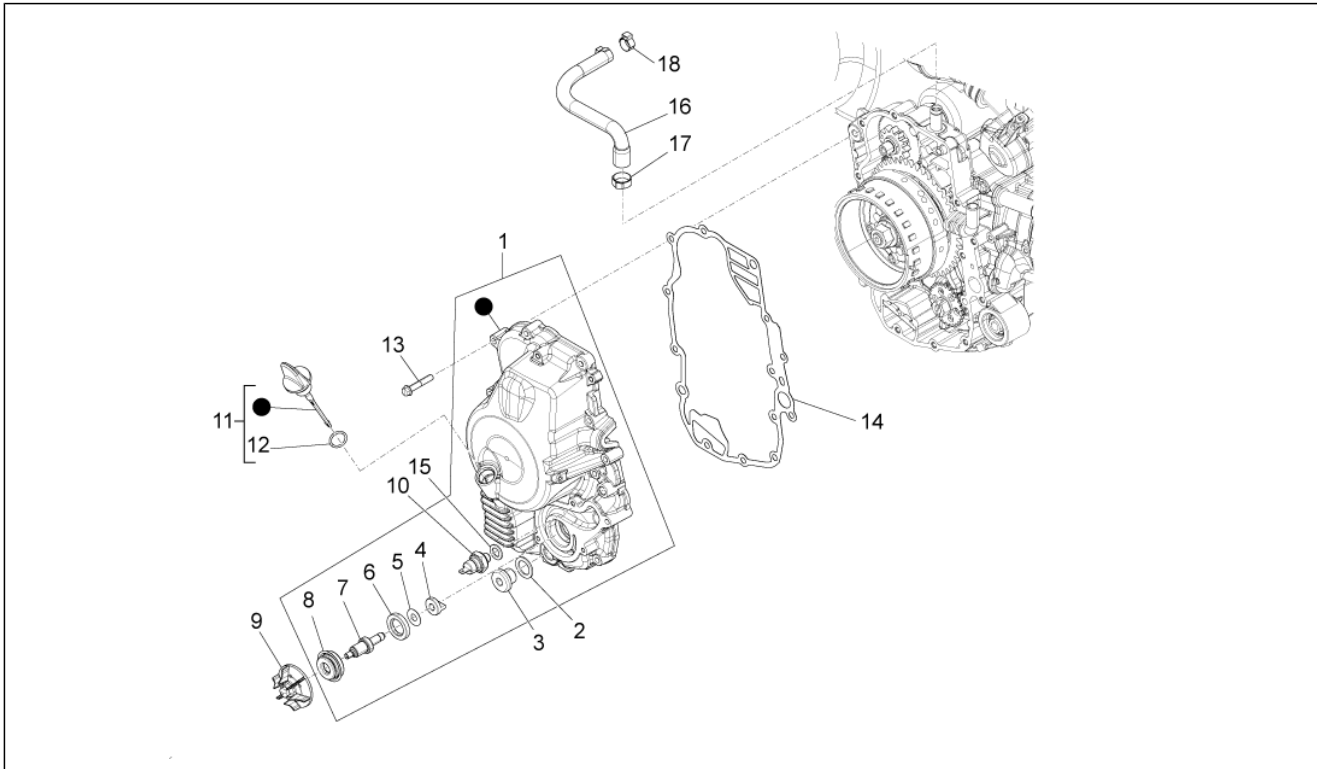
Pos.	Code	Description	Qty	Variants
1	58222R	Starter motor	1	
2	847645	Screw w/ flange	2	
3	642545	Starter cable	1	
4	484123	Screw w/ flange	1	
5	224664	Washer 5,2X15X1,5	1	
6	877886	Electric starter gear	1	
7	833011	Plate	1	
8	B014598	Torx Screw M5x12	1	
9	82737R	Starter motor gear	1	

Group	Engine
Code	01.21
Description	Flywheel magneto
Service	1



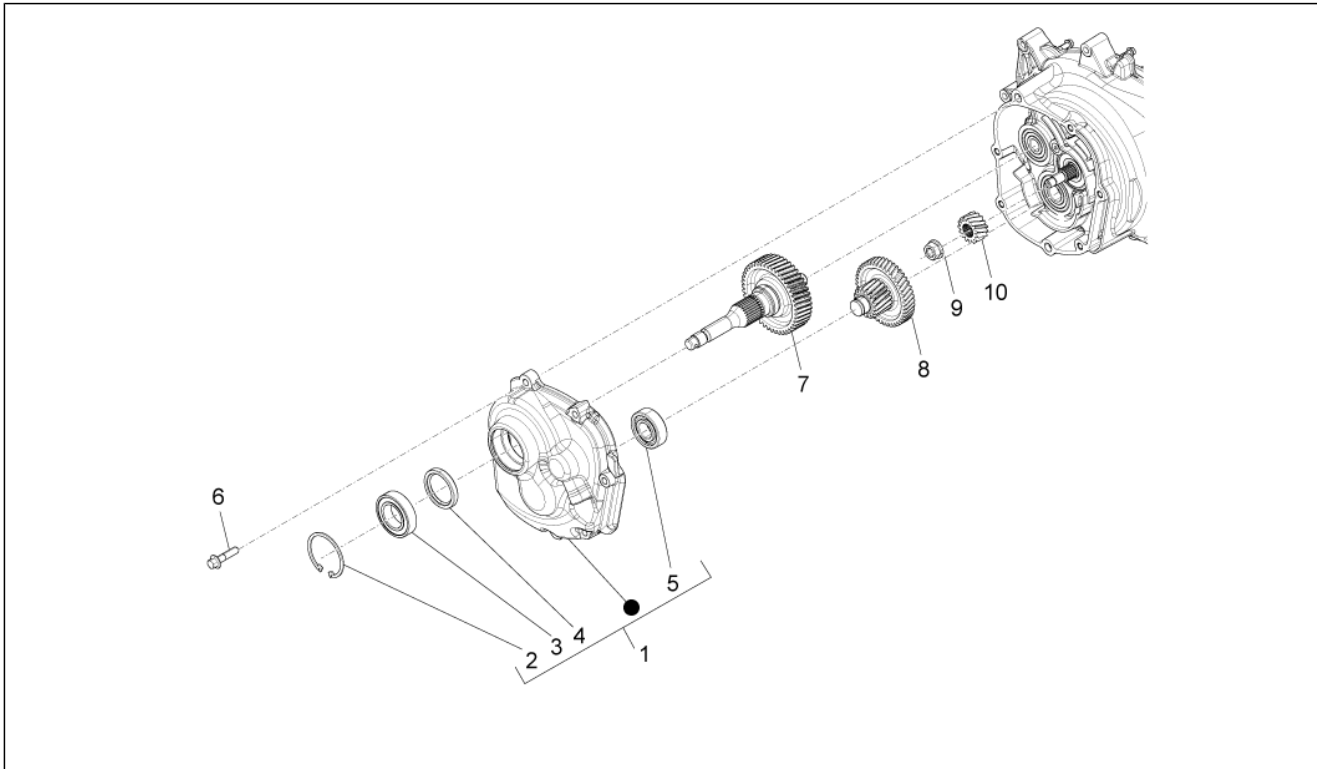
Pos.	Code	Description	Qty	Variants
1	58244R	Backplate, assy	1	
2	018553	screw M6x25	3	
3	015935	TBCIC Screw M5x12	2	
4	877649	Plate	1	
5	018575	Screw M5x10	2	
6	880729	Plate	1	
7	827116	Nut M14x1,5	1	
8	825725	Flat washer 14.1x30x3	1	
9	642795	Rotor, assy.	1	
10	877289	Hex socket screw M6x24	6	
11	479515	Break washer	6	
12	000097	Transmission key	1	
13	8494905	Complete freewheel	1	
14	018575	Screw M5x10	2	

Group	Engine
Code	01.23
Description	Flywheel magneto cover - Oil filter
Service	1



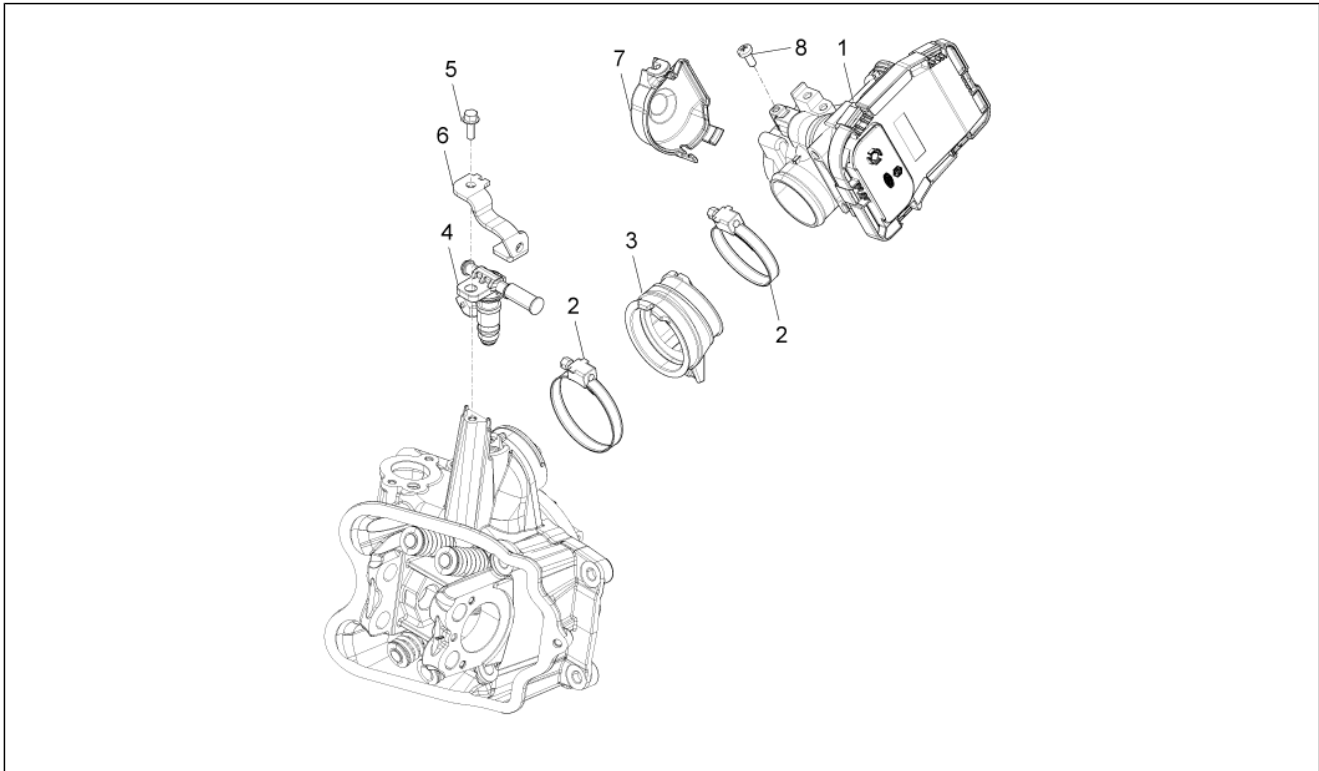
Pos.	Code	Description	Qty	Variants
1	8787565	Flywheel cover cpl.	1	
2	287174	Copper gasket	1	
3	878622	Oil unload plug	1	
4	B014573	Drive coupling	1	
5	878766	Flat washer	1	
6	878750	Gasket ring	1	
6	B016998	Gasket ring	1	
7	B014574	Water pump shaft assy.	1	
8	82991R	Gasket ring	1	
9	B013969	Water pump impeller cpl.	1	
10	643090	Minimum oil pressure sensor	1	
11	880725	Oil plug assembly	1	
12	479986	O-ring	1	
13	414838	screw M6x35	13	
14	B014671	Flywheel housing cover gasket	1	
15	AP9150472	Washer 10,5x17x1,5	1	
16	B013014	Oil breather pipe	1	
17	CM001921	Hose clamp	1	
18	CM001902	Hose clamp	1	

Group	Engine
Code	01.25
Description	Reduction unit
Service	1



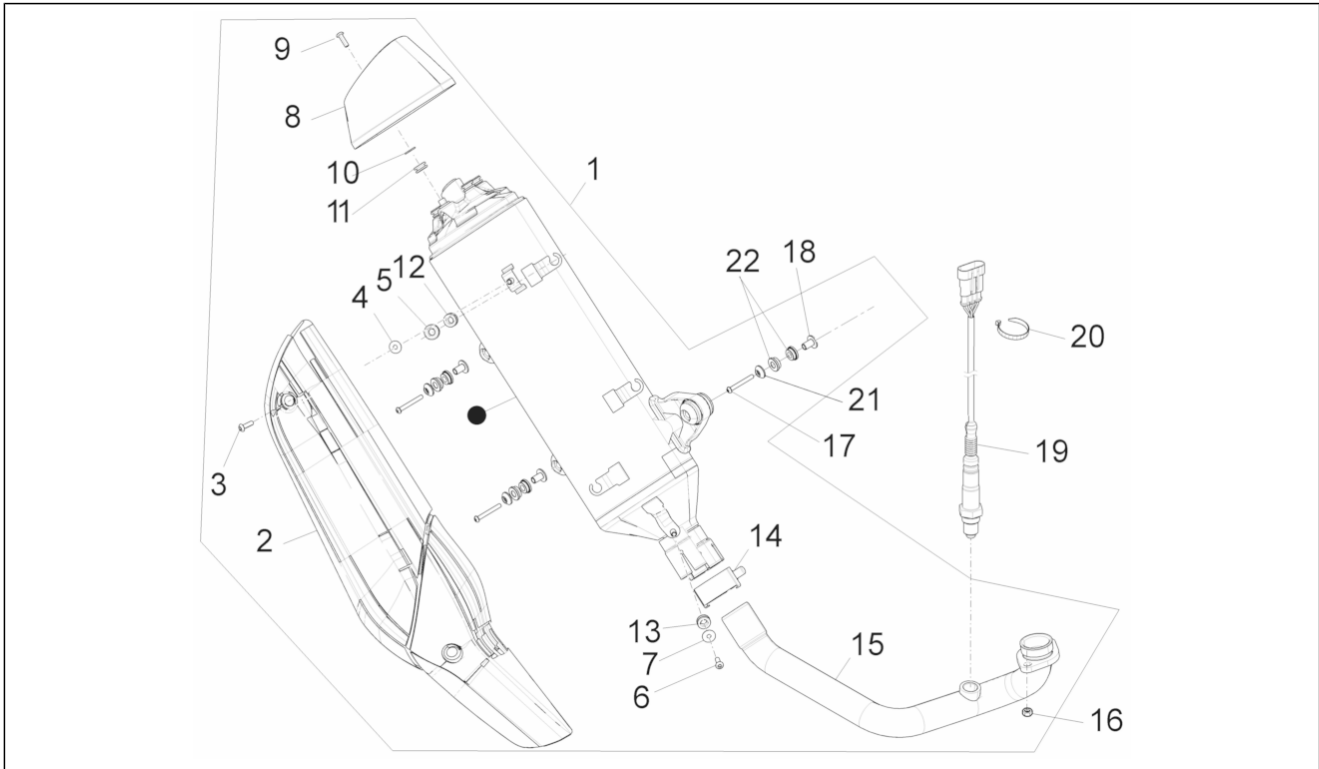
Pos.	Code	Description	Qty	Variants
1	8789015	Complete reducer cover	1	
2	829206	Circlip	1	
3	83034R	Radial bearing 30x55x13	1	
4	873351	Oil seal 38x50x7	1	
5	485913	Radial bearing 20x47x14	1	
6	828911	Screw w/ flange M8x35	7	
7	B0151125	Rear wheel axle with U.P.	1	
8	B0157415	Countershaft with U.P.	1	
9	B015804	Flanged nut	1	
10	8778305	Ingranaggio puleggia condotta	1	

Group	Engine
Code	01.36
Description	Throttle body - Injector - Union pipe
Service	1



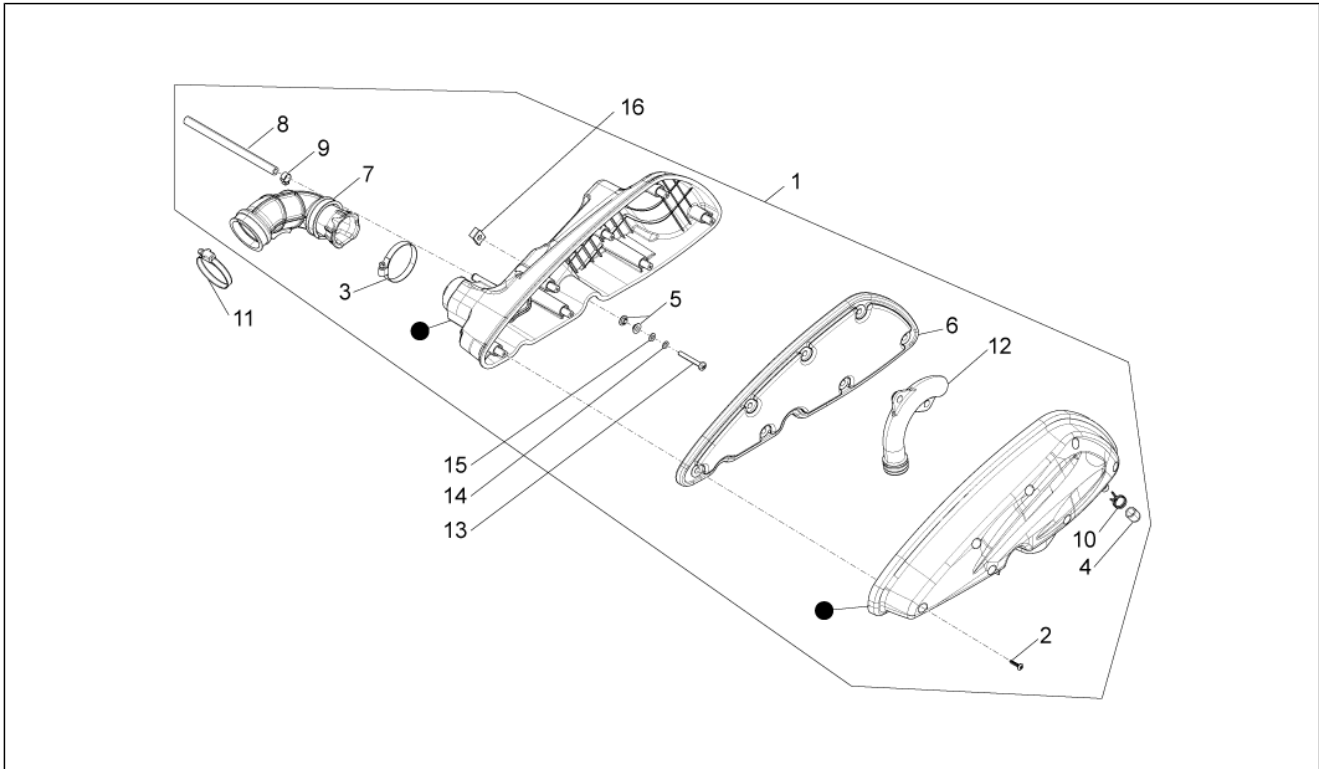
Pos.	Code	Description	Qty	Variants
1	CM085206	Throttle body with E.C.U.	1	
2	880985	Fastening clamp	2	
3	880460	Manicotto testa/corpo farfallato	1	
4	8720235	Complete injector	1	
5	B013855	Screw w/ flange	1	
6	B015066	Plate	1	
7	B014403	Coperchietto protezione carrucola	1	
8	018623	Self-tapping screw	1	

Group	Engine
Code	01.42
Description	Silencer
Service	1



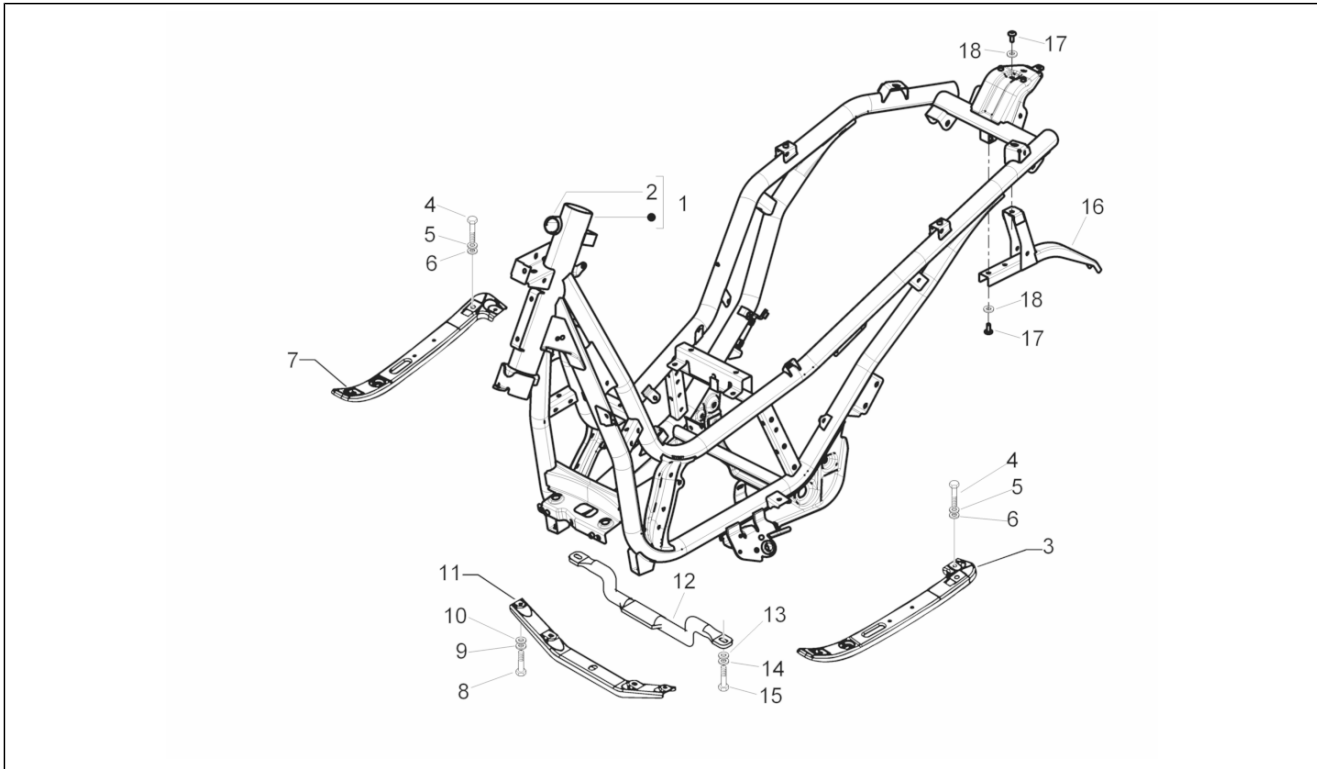
Pos.	Code	Description	Qty	Variants
1	8807205	Silencer complete with protection	1	
2	B014402	Protection	1	
3	842908	screw M5x10	1	
4	841821	Washer 6,6x18x1,6	1	
5	487665	Pad	2	
6	880285	Torx Screw	1	
7	827526	Flat washer	1	
8	880515	Protezione calotta finale	1	
9	842908	screw M5x10	5	
10	841821	Washer 6,6x18x1,6	5	
11	487665	Pad	5	
12	B013302	Fairlead	3	
13	874946	Graphite bushing	1	
14	874957	Hose clamp	1	
15	879940	Exhaust manifold	1	
16	015341	Flanged nut	2	
17	841023	Torx Screw M8x65	3	
18	880296	Spacer	3	
19	639806	Lamda sensor	1	
20	639560	Spring for connector	1	
21	B015885	Spacer	3	
22	880295	TASSELLO in gomma	6	

Group	Engine
Code	01.45
Description	Air filter
Service	1



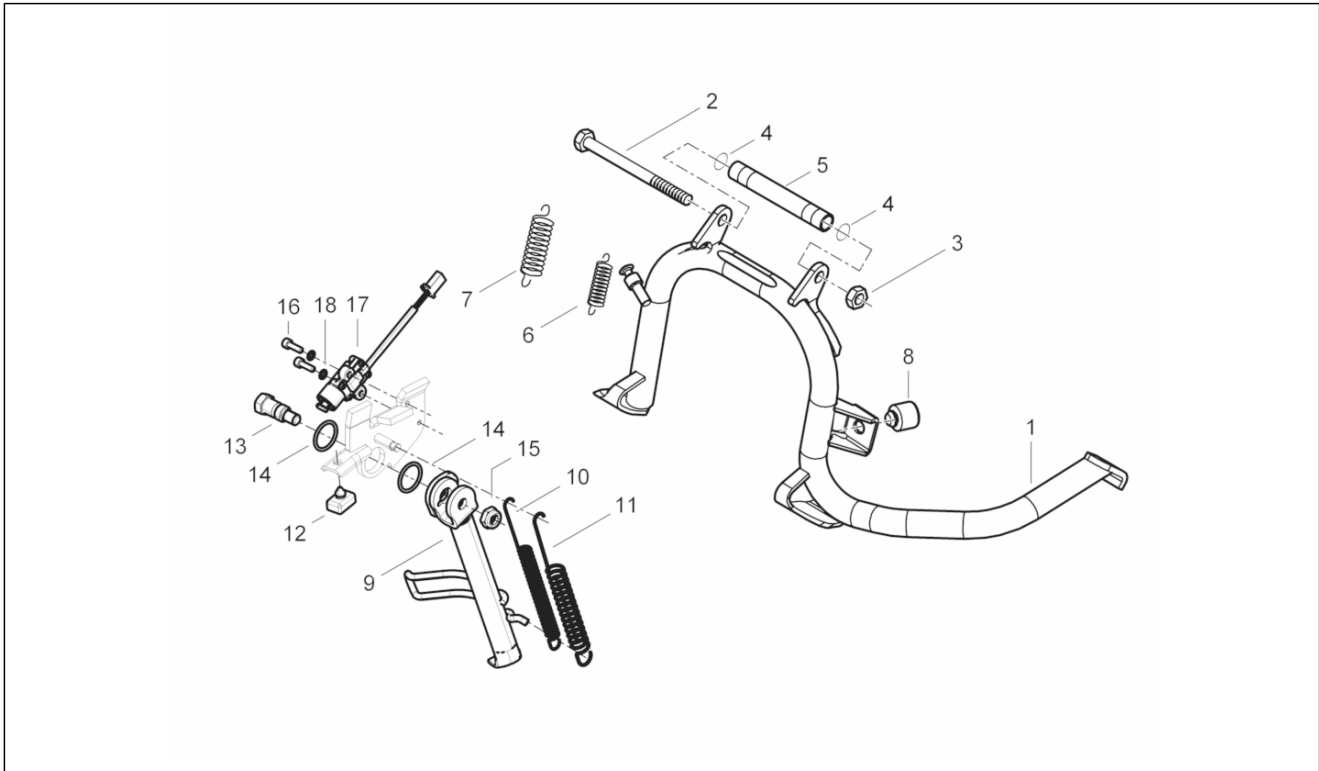
Pos.	Code	Description	Qty	Variants
1	B013805	Complete air cleaner box	1	
2	258146	Self-tap screw M3x20	7	
3	614188	Hose clamp	1	
4	827831	Cap	2	
5	830056	Knurled bushing	4	
6	880001	Filtering element	1	
7	B013810	Air cleaner sleeve	1	
8	B013949	tubo scarico olio	1	
9	CM001913	Hose clamp	1	
10	CM002910	Hose clamp	2	
11	260918	Hose clamp	1	
12	880120	Intake pipe	1	
13	018640	Special cap screw M6x50	1	
14	012533	Notched washer 6,6x11x0	2	
15	003056	Flat washer 6,4x12x1	2	
16	254485	Spring plate M6	2	

Group	Frame - Plastic parts - Coachwork
Code	02.01
Description	Frame/bodywork
Service	1



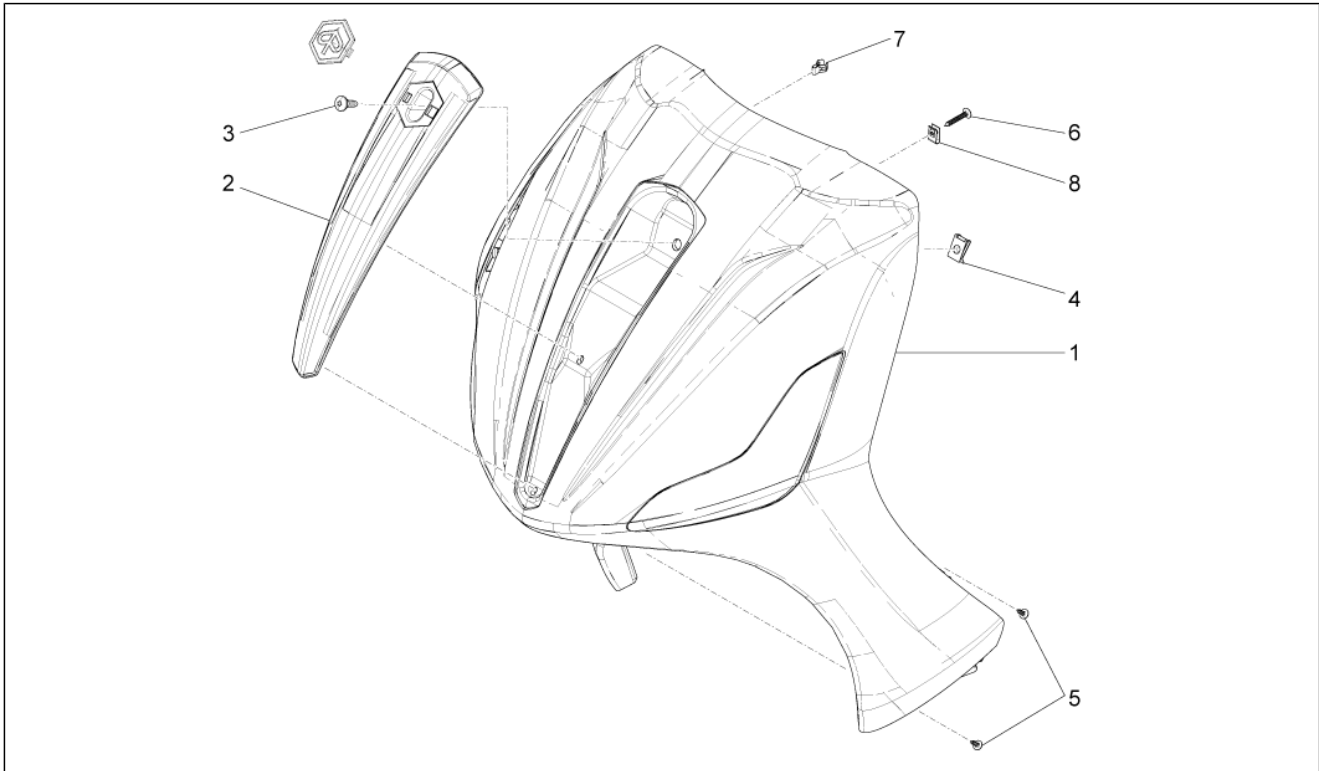
Pos.	Code	Description	Qty	Variants
1	6574545	Frame with u.p.	1	
2	575357	Lock support	1	
3	6574955	Pin l.h.	1	
4	031088	screw M6x16	4	
5	016406	Spring washer 6,4x11,8x1	4	
6	003056	Flat washer 6,4x12x1	4	
7	6574965	Pin r.h.	1	
8	031117	Screw m8x18 zn	2	
9	003038	Flat washer 8,4x18x2	2	
10	016408	Spring washer 13,75x8,15x4,5	2	
11	673000	Pipes connection cross pin	1	
12	672435	Small carrier connector front pipe	1	
13	016408	Spring washer 13,75x8,15x4,5	2	
14	003038	Flat washer 8,4x18x2	2	
15	031117	Screw m8x18 zn	2	
16	657193	Rear frame	1	
17	CM179301	Screw M6x16	2	
18	078307	Washer	2	

Group	Frame - Plastic parts - Coachwork
Code	02.25
Description	Stand/s
Service	1



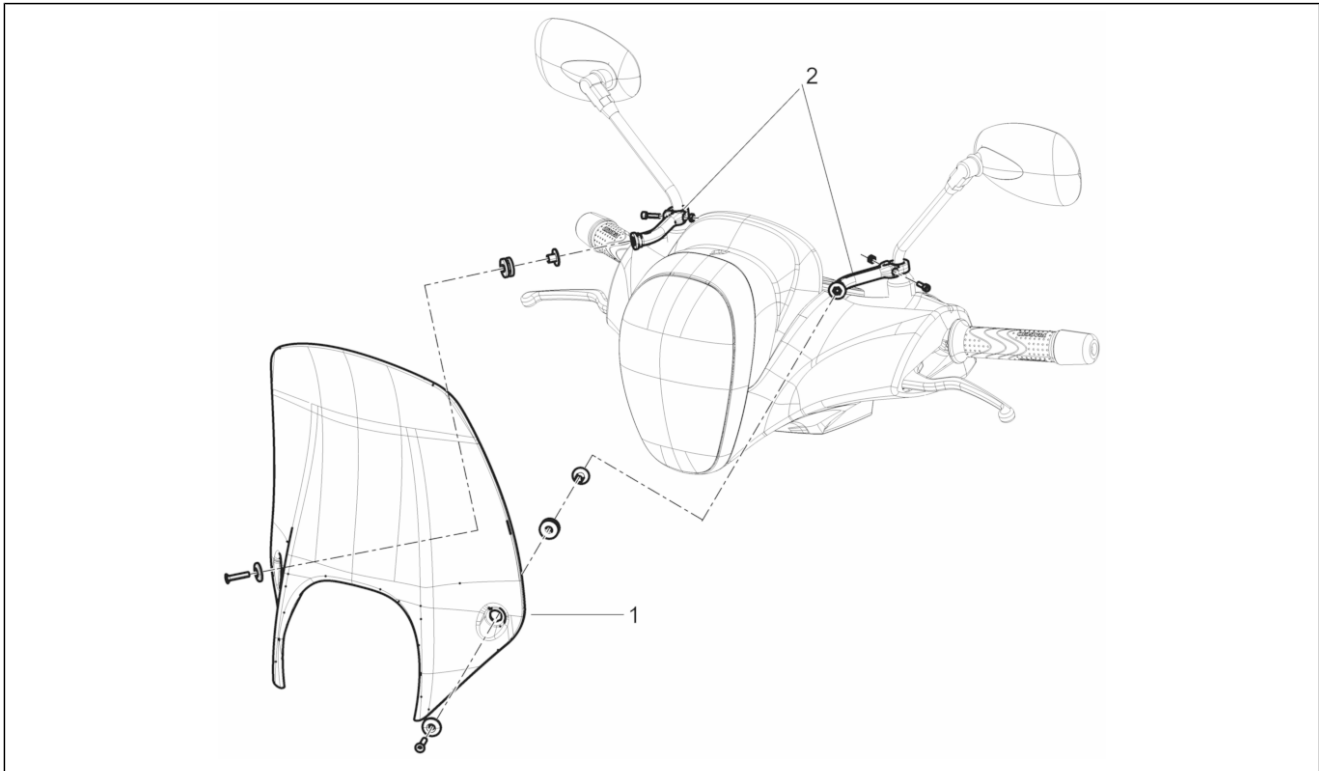
Pos.	Code	Description	Qty	Variants
1	668016	Central stand	1	
2	030115	Hex screw M10x130	1	
3	002440	Self locking nut M10	1	
4	273754	O-ring	2	
5	582298	Spacer	1	
6	667566	Spring	1	
7	667567	Spring	1	
8	272426	Pad	1	
9	665947	Lateral stand	1	
10	295788	Spring	1	
11	295789	Spring	1	
12	164245	Stop buffer	1	
13	647595	Special screw	1	
14	191189	Gasket	2	
15	002440	Self locking nut M10	1	
16	292889	Hex socket screw M5x16	2	
17	639542	Button for the side stand	1	
17	642559	Stand button	1	
18	012532	Washer 5,3x10x0	2	

Group	Frame - Plastic parts - Coachwork
Code	02.26
Description	Front shield
Service	1



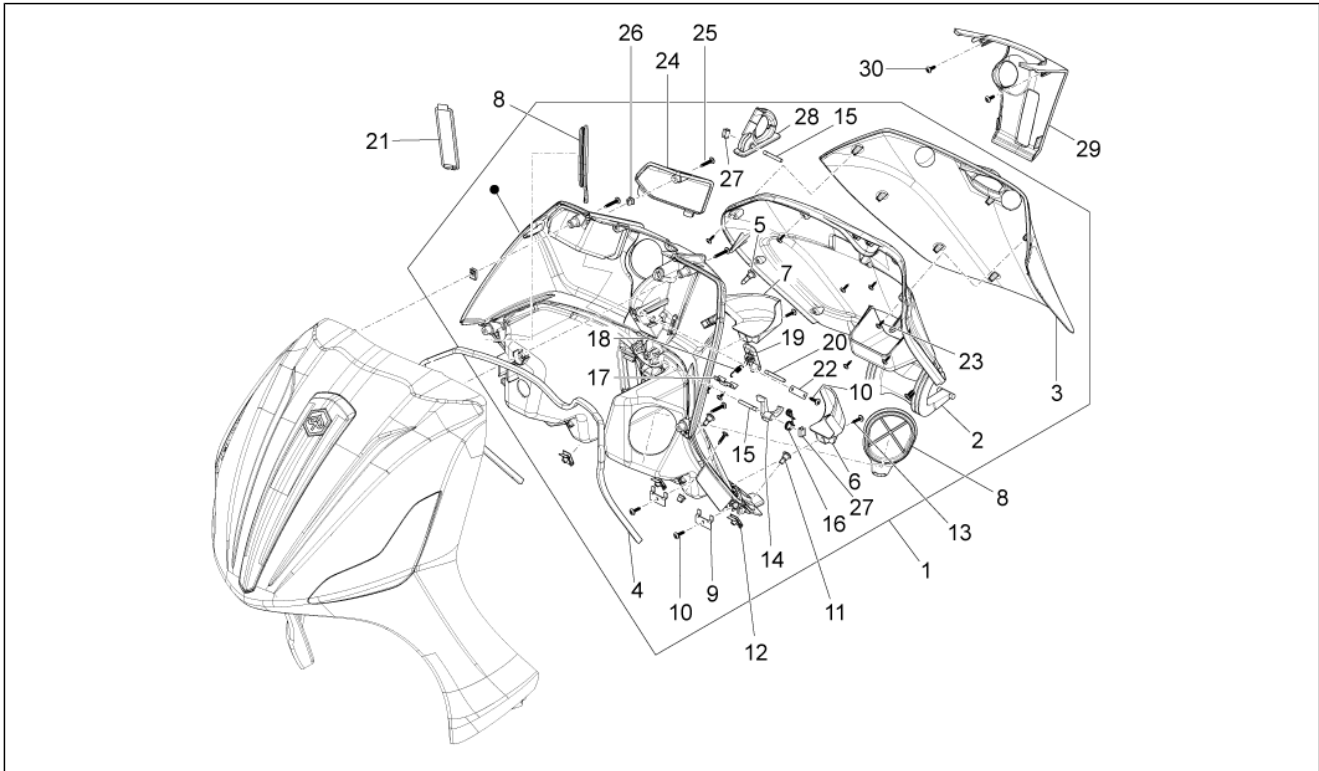
Pos.	Code	Description	Qty	Variants
1	656338	Front shield	1	
1	6563380090	Front shield	1	Vehicle colour:BLACK[94]
1	65633800BR	Front shield	1	Vehicle colour:White[544]
1	65633800DE	Front shield	1	Vehicle colour:Blue[222/A]
1	65633800H4	Front shield	1	Vehicle colour:Grey[760/B]
1	65633800RR	Front shield	1	Vehicle colour:Red[849/A]
2	673722	Steering column cover	1	
3	CM179201	Metric screw M6x22	1	
4	254485	Spring plate M6	1	
5	297498	Self tapping screw M3,5x13	2	
6	CM178608	Self tapping screw D4.2x29	4	
7	D9004468091	Gripper clip	2	
8	CM017410	Spring plate	4	

Group	Frame - Plastic parts - Coachwork
Code	02.27
Description	Windshield - Glass
Service	1



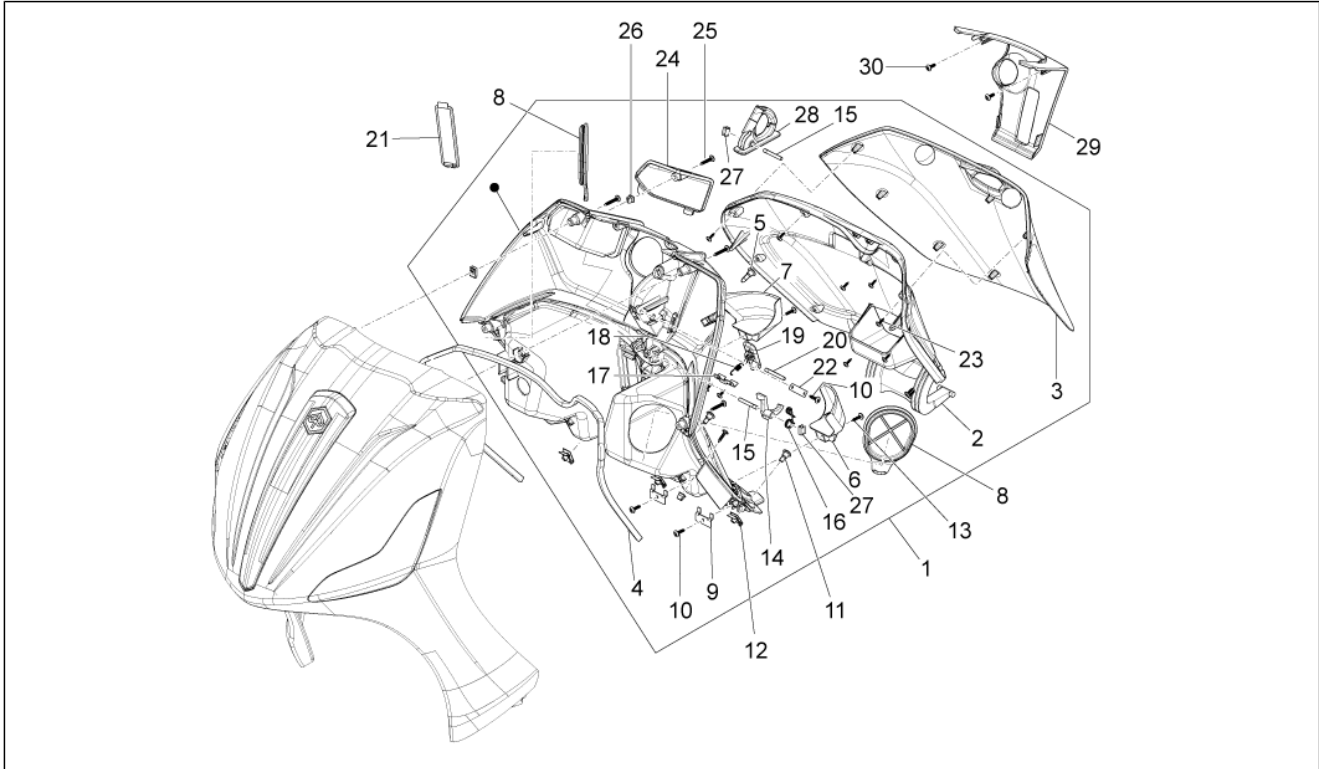
Pos.	Code	Description	Qty	Variants
1	674508	Windscreen	1	
2	673514	Kit fissaggio parabrezza	1	

Group	Frame - Plastic parts - Coachwork
Code	02.30
Description	Front glove-box - Knee-guard panel
Service	1



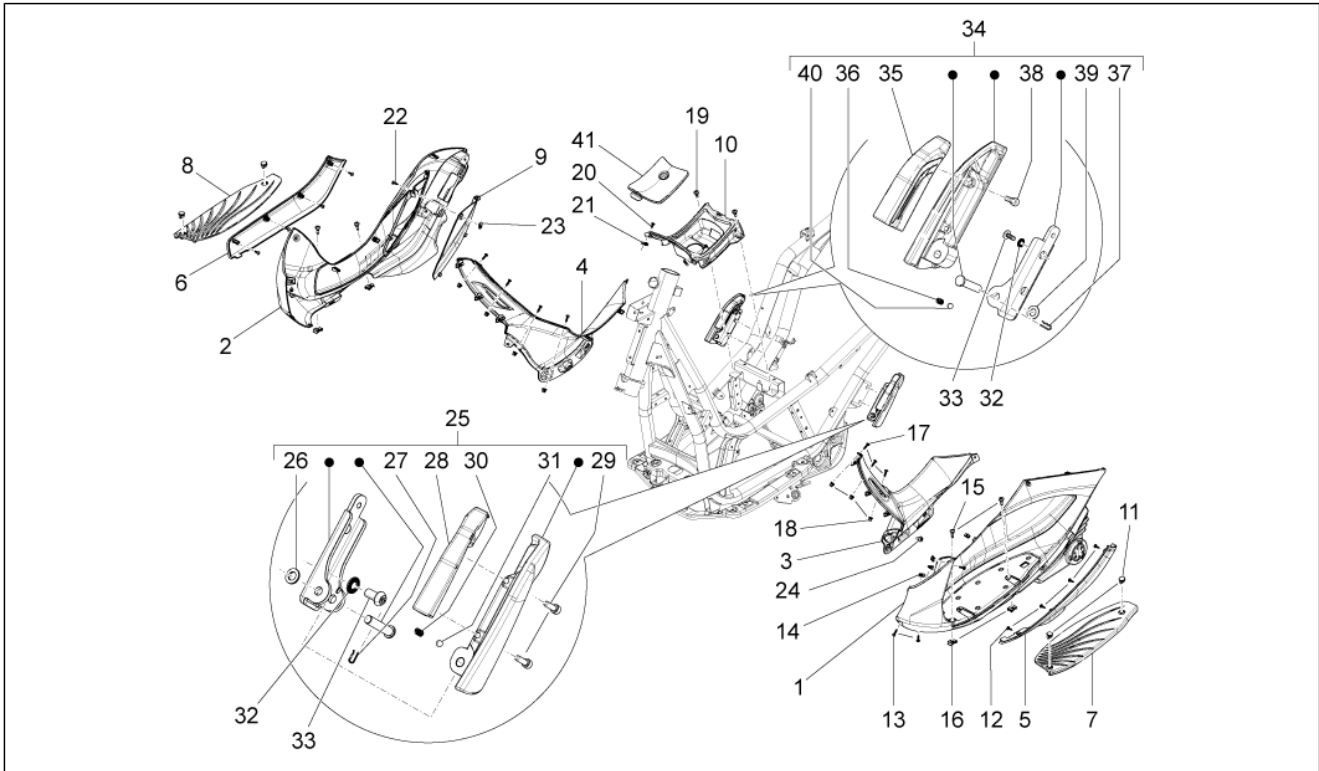
Pos.	Code	Description	Qty	Variants
1	656803	Complete front top box	1	
1	65680300B2	Complete front top box	1	Vehicle colour:White[544] Vehicle colour:Red[849/A] Vehicle colour:Blue[222/A]
1	65680300Z1	Complete front top box	1	Vehicle colour:BLACK[94] Vehicle colour:Grey[760/B]
2	656804	Counter flap	1	
3	656343	Glove compartment door	1	
3	656343000C	Glove compartment door	1	Vehicle colour:White[544] Vehicle colour:Red[849/A] Vehicle colour:Blue[222/A]
3	65634300RU	Glove compartment door	1	Vehicle colour:BLACK[94] Vehicle colour:Grey[760/B]
4	CM006312	Flap packing	1	
5	CM179201	Metric screw M6x22	2	
6	672055	Left top box internal frame	1	
6	672055000C	Left top box internal frame	1	Vehicle colour:Red[849/A] Vehicle colour:White[544] Vehicle colour:Blue[222/A]
6	67205500RU	Left top box internal frame	1	Vehicle colour:BLACK[94] Vehicle colour:Grey[760/B]
7	657494	Right top box internal frame	1	
7	657494000C	Right top box internal frame	1	Vehicle colour:White[544] Vehicle colour:Red[849/A] Vehicle colour:Blue[222/A]
7	65749400RU	Right top box internal frame	1	Vehicle colour:BLACK[94] Vehicle colour:Grey[760/B]
8	657135	Plastic plug	2	
9	257614	Square	2	
10	270793	TBCIC Screw 3,8x16	3	
11	CM179202	screw	2	

Group	Frame - Plastic parts - Coachwork
Code	02.30
Description	Front glove-box - Knee-guard panel
Service	1



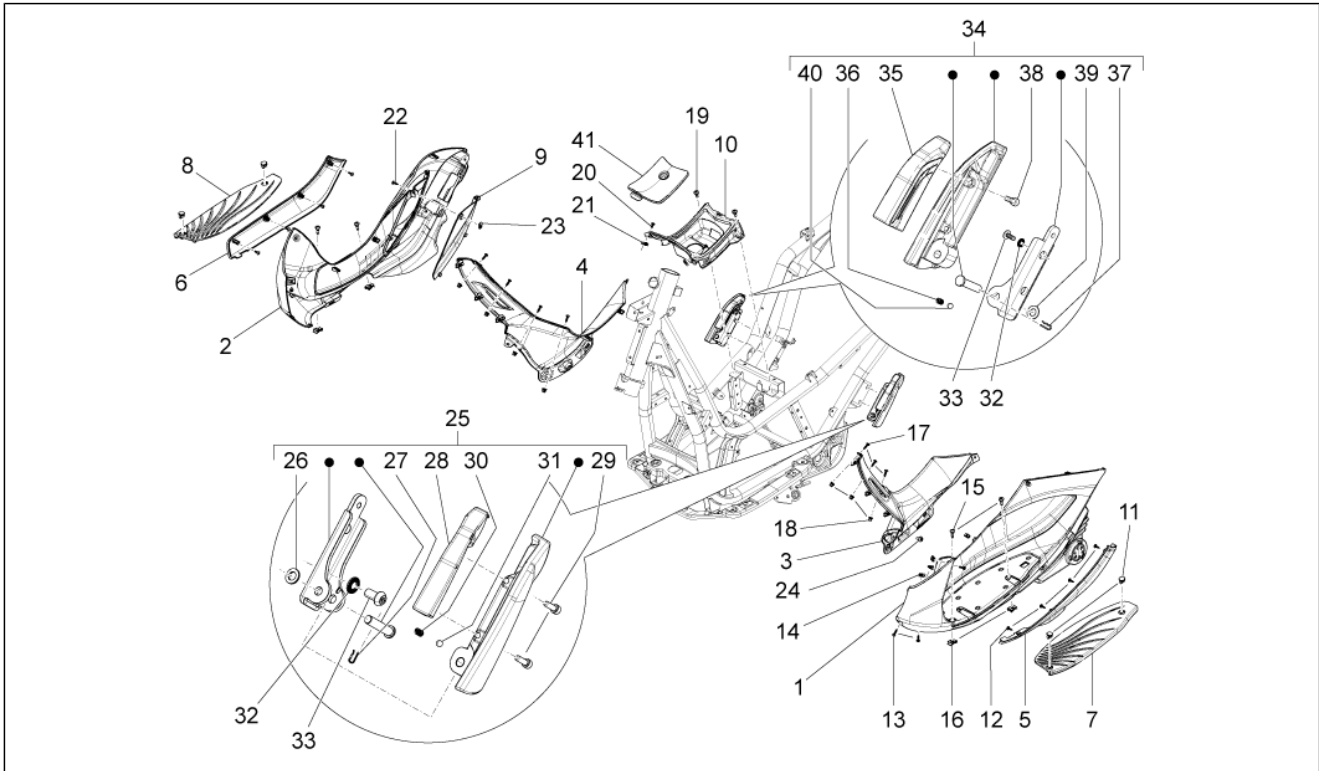
Pos.	Code	Description	Qty	Variants
12	254485	Spring plate M6	4	
13	CM179101	Self-tapping screw	2	
14	575607	Pawl	1	
15	270147	Pin	2	
16	577005	Spring	1	
17	252420	Square	1	
18	577399	Spring	1	
19	577861	Lever	1	
20	577400	Pin	1	
21	575551	Insp. door	1	
22	464620	Spring	1	
23	297498	Self tapping screw M3,5x13	13	
24	656831	Coolant insp. door	1	
24	656831000C	Coolant insp. door	1	Vehicle colour:Blue[222/A] Vehicle colour:Red[849/A] Vehicle colour:White[544]
24	65683100RU	Coolant insp. door	1	Vehicle colour:BLACK[94] Vehicle colour:Grey[760/B]
25	CM178608	Self tapping screw D4.2x29	1	
26	199190	Expansion plug	1	
27	299693	Catch spring	2	
28	656849	Hook for bag	1	
29	656341	Leg shield back plate cover	1	
29	6563410090	Leg shield back plate cover	1	Vehicle colour:BLACK[94]
29	65634100BR	Leg shield back plate cover	1	Vehicle colour:White[544]
29	65634100DE	Leg shield back plate cover	1	Vehicle colour:Blue[222/A]
29	65634100H4	Leg shield back plate cover	1	Vehicle colour:Grey[760/B]
29	65634100RR	Leg shield back plate cover	1	Vehicle colour:Red[849/A]
30	CM180701	Self tapping screw D4x16	2	

Group	Frame - Plastic parts - Coachwork
Code	02.31
Description	Central cover - Footrests
Service	1



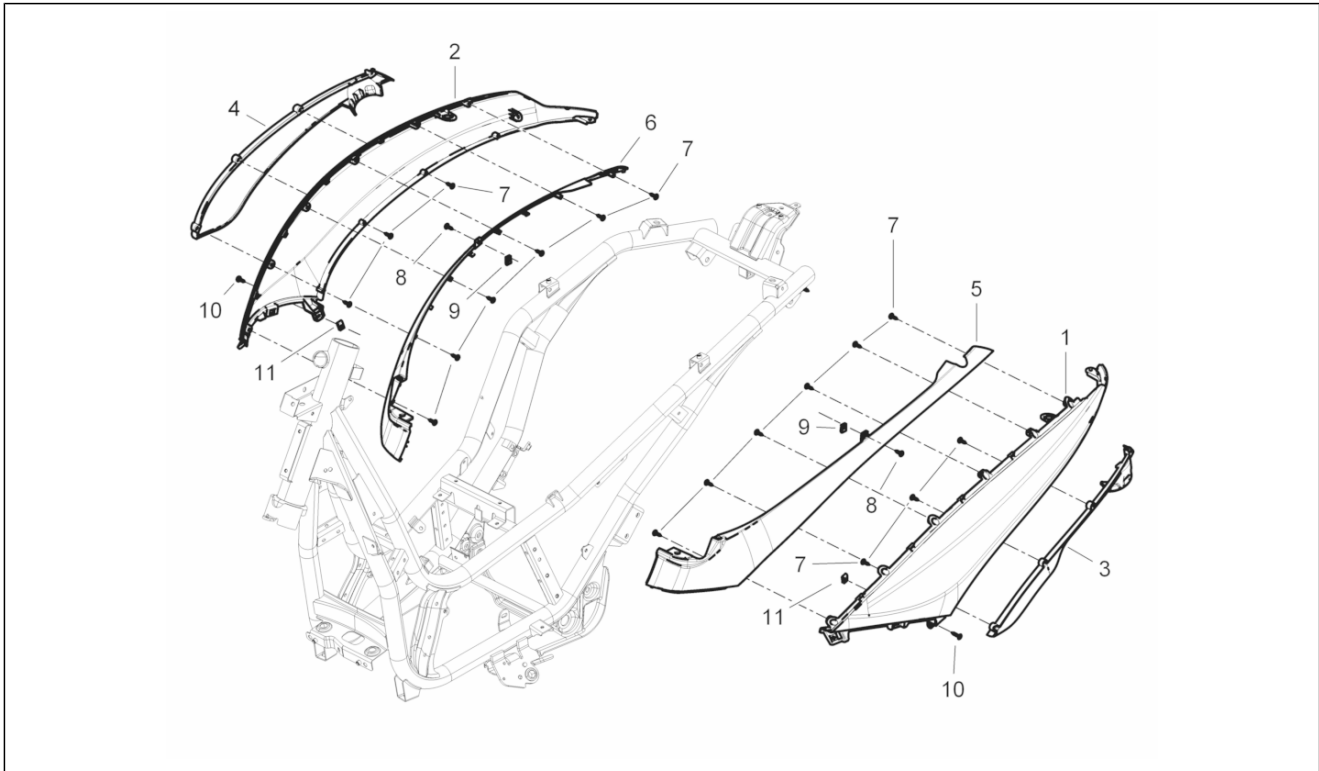
Pos.	Code	Description	Qty	Variants
1	672624000C	Rubber mat l.h.	1	
2	673207000C	Rubber mat r.h.	1	
3	656344	Left central cover	1	
3	65634400H3	Left central cover	1	
4	656345	Right central cover	1	
4	65634500H3	Right central cover	1	
5	656351	Left spoiler	1	
5	65635100H3	Left spoiler	1	
6	656352	Left spoiler	1	
6	65635200H3	Right spoiler	1	
7	656828	Lh mat	1	
8	656829	Rh mat	1	
9	656361000C	Spark plug insp. door	1	
10	674947	Central cover	1	
10	67494700H3	Central cover	1	
11	CM011101	Pin	4	
12	CM180701	Self tapping screw D4x16	8	
13	CM178604	Self tapping screw	2	
14	CM017410	Spring plate	4	
15	CM179201	Metric screw M6x22	4	
16	254485	Spring plate M6	4	
17	CM178601	Self tapping screw D4.2x16	8	
18	199190	Expansion plug	8	
19	CM179202	screw	2	
20	CM178601	Self tapping screw D4.2x16	2	
21	CM017410	Spring plate	2	
22	CM178601	Self tapping screw D4.2x16	1	
23	CM017410	Spring plate	1	

Group	Frame - Plastic parts - Coachwork
Code	02.31
Description	Central cover - Footrests
Service	1



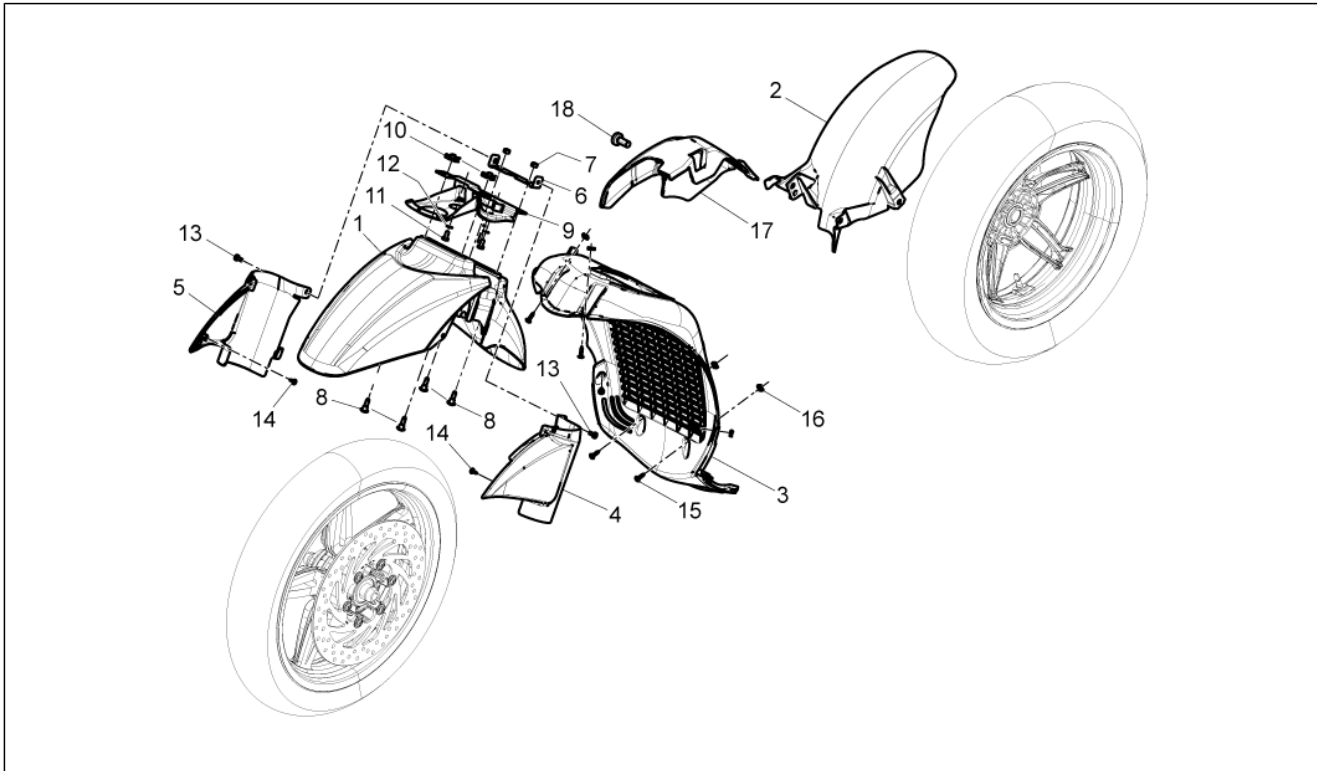
Pos.	Code	Description	Qty	Variants
24	CM178601	Self tapping screw D4.2x16	2	
25	65682300H3	Complete left footrest	1	
26	003058	Plain washer 15x8,4x1,5	1	
27	259933	Elastic spring	1	
28	656993	LH rear footrests rubber	1	
29	315092	screw	2	
30	295590	Premisphere spring	1	
31	295591	Ball D6	1	
32	834187	Spring washer 16x8,2x2,2	4	
33	582428	Hex socket screw	4	
34	65682500H3	Complete right footrest	1	
35	656994	RH rear footrests rubber	1	
36	295590	Premisphere spring	1	
37	259933	Elastic spring	1	
38	315092	screw	2	
39	003058	Plain washer 15x8,4x1,5	1	
40	295591	Ball D6	1	
41	674948	Portello carburante	1	
41	67494800H3	Portello carburante	1	

Group	Frame - Plastic parts - Coachwork
Code	02.32
Description	Side cover - Spoiler
Service	1



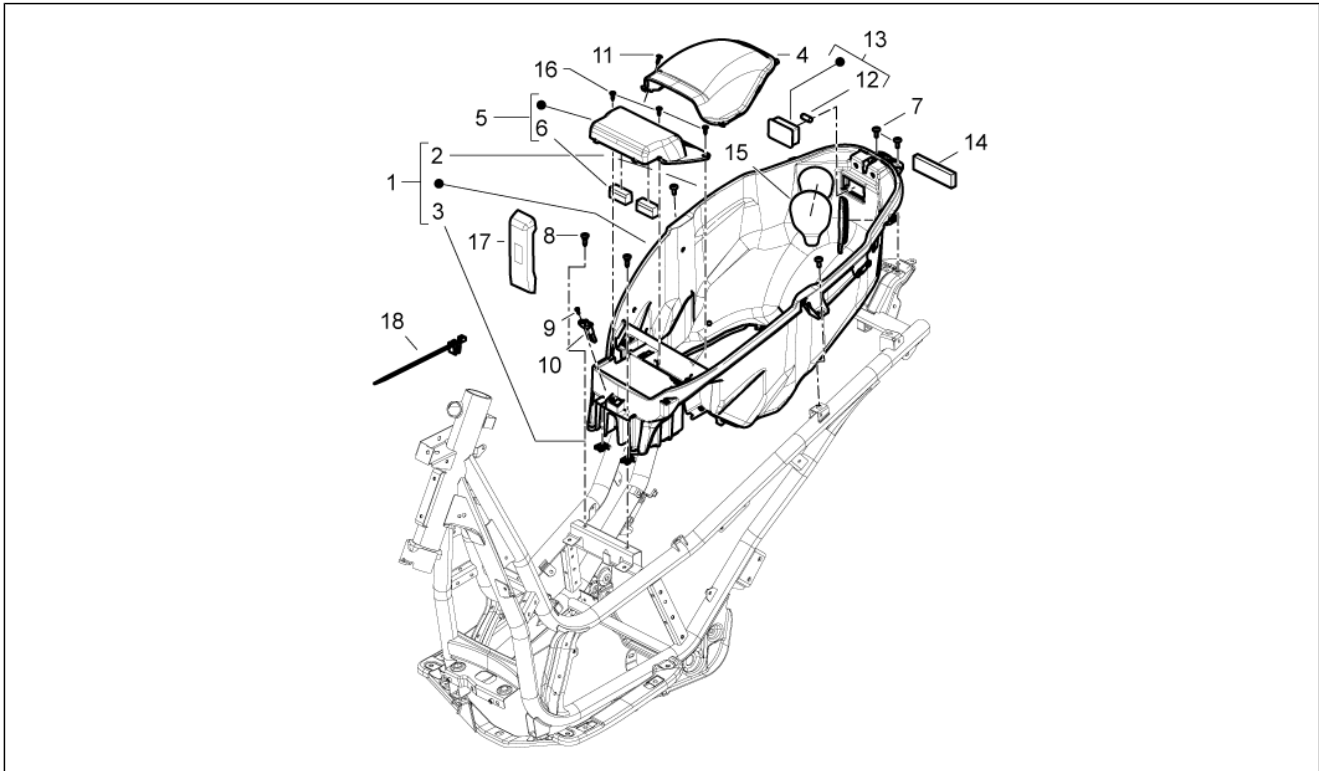
Pos.	Code	Description	Qty	Variants
1	656353	Rear body side L.H.	1	
1	6563530090	Rear body side l.h.	1	Vehicle colour:BLACK[94]
1	65635300BR	Rear body side l.h.	1	Vehicle colour:White[544]
1	65635300DE	Rear body side l.h.	1	Vehicle colour:Blue[222/A]
1	65635300H4	Rear body side l.h.	1	Vehicle colour:Grey[760/B]
1	65635300RR	Rear body side l.h.	1	Vehicle colour:Red[849/A]
2	656354	Rear body side r.h.	1	
2	6563540090	Rear body side r.h.	1	Vehicle colour:BLACK[94]
2	65635400BR	Rear body side r.h.	1	Vehicle colour:White[544]
2	65635400DE	Rear body side r.h.	1	Vehicle colour:Blue[222/A]
2	65635400H4	Rear body side r.h.	1	Vehicle colour:Grey[760/B]
2	65635400RR	Rear body side r.h.	1	Vehicle colour:Red[849/A]
3	672615000C	Lower side panel l.h.	1	
4	672616000C	Lower side panel r.h.	1	
5	656355	LH side panel upper	1	
5	65635500H3	LH side panel upper	1	
6	656356	RH side panel upper	1	
6	65635600H3	RH side panel upper	1	
7	CM180701	Self tapping screw D4x16	18	
8	CM180701	Self tapping screw D4x16	2	
9	CM017410	Spring plate	2	
10	CM178604	Self tapping screw	2	
11	CM017410	Spring plate	2	

Group	Frame - Plastic parts - Coachwork
Code	02.33
Description	Wheel huosing - Mudguard
Service	1



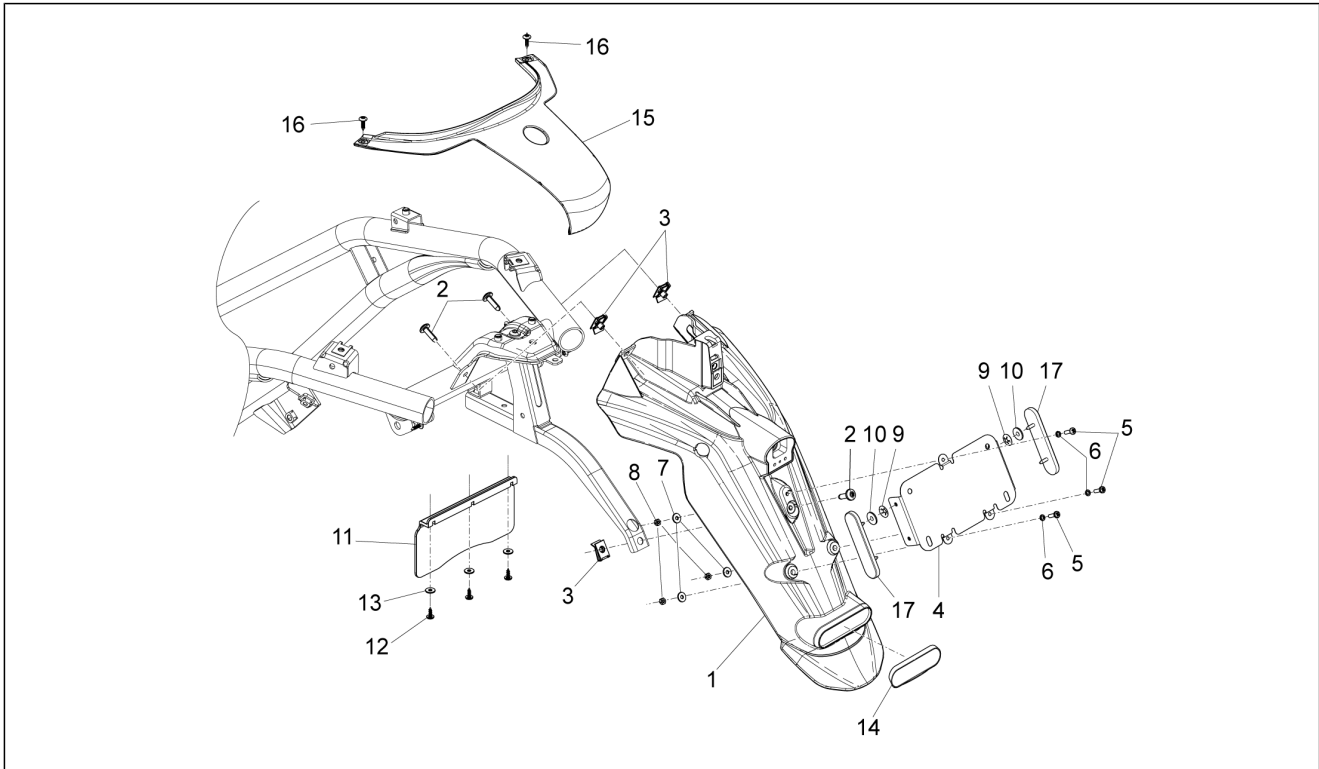
Pos.	Code	Description	Qty	Variants
1	667197	Front mudguard	1	
1	6671970090	Parafango anteriore	1	Vehicle colour:BLACK[94]
1	66719700BR	Front mudguard	1	Vehicle colour:White[544]
1	66719700DE	Front mudguard	1	Vehicle colour:Blue[222/A]
1	66719700H4	Front mudguard	1	Vehicle colour:Grey[760/B]
1	66719700RR	Front mudguard	1	Vehicle colour:Red[849/A]
2	672619	Rear mudguard	1	
3	672954000C	Wheel compartment	1	
4	66550400H3	LH sleeve	1	
5	66550500H3	RH sleeve	1	
6	598642	Sliders support bracket	1	
7	195482	Self locking nut M6	2	
8	575249	Screw with tang M6	4	
9	667085	Support clamp	1	
10	254485	Spring plate M6	2	
11	031086	Screw m6x12	3	
12	006966	Spring washer 6,4x11x0,5	3	
13	297498	Self tapping screw M3,5x13	2	
14	018623	Self-tapping screw	2	
15	CM178604	Self tapping screw	6	
16	CM017410	Spring plate	6	
17	673194	Copertura laterale parafango post.	1	
18	CM180701	Self tapping screw D4x16	1	

Group	Frame - Plastic parts - Coachwork
Code	02.34
Description	Helmet huosing - Undersaddle
Service	1



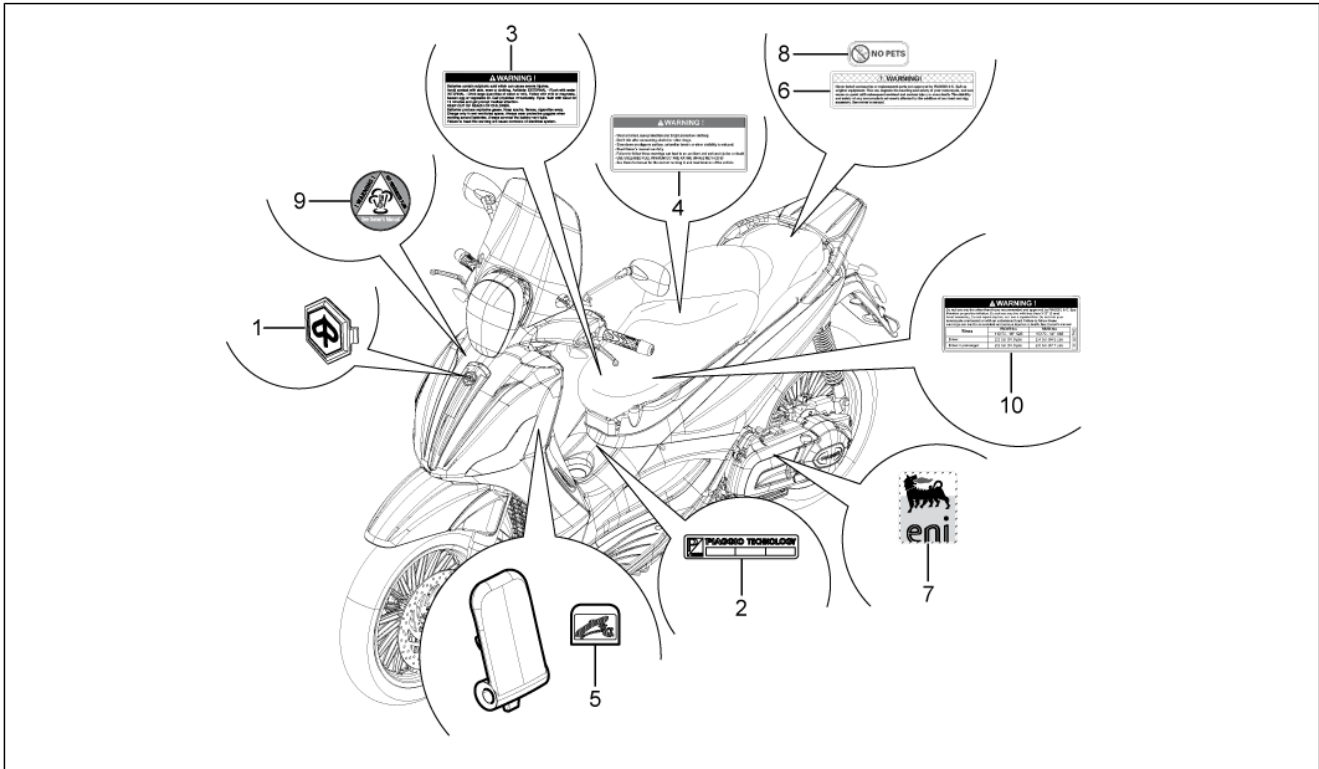
Pos.	Code	Description	Qty	Variants
1	673958	Helmet holder assembly	1	
2	CM017410	Spring plate	8	
3	254485	Spring plate M6	2	
4	672622	Sportello ispezione iniettori	1	
5	672637	Complete battery cover	1	
6	258737	Pad	2	
7	CM179301	Screw M6x16	4	
8	CM179201	Metric screw M6x22	2	
9	018536	Self-tap screw 3,5x13	1	
10	583752	Button	1	
11	CM178603	Self tapping screw D4.2x13	1	
12	071633	Torpedo shaped lamp 12V-5W	1	
13	293154	Ceiling bowl	1	
14	672240	Pad	1	
15	657135	Plastic plug	2	
16	CM178601	Self tapping screw D4.2x16	3	
17	672957	Tool kit box cover	1	
18	657229	Hose clamp	1	

Group	Frame - Plastic parts - Coachwork
Code	02.37
Description	Rear cover - Splash guard
Service	1



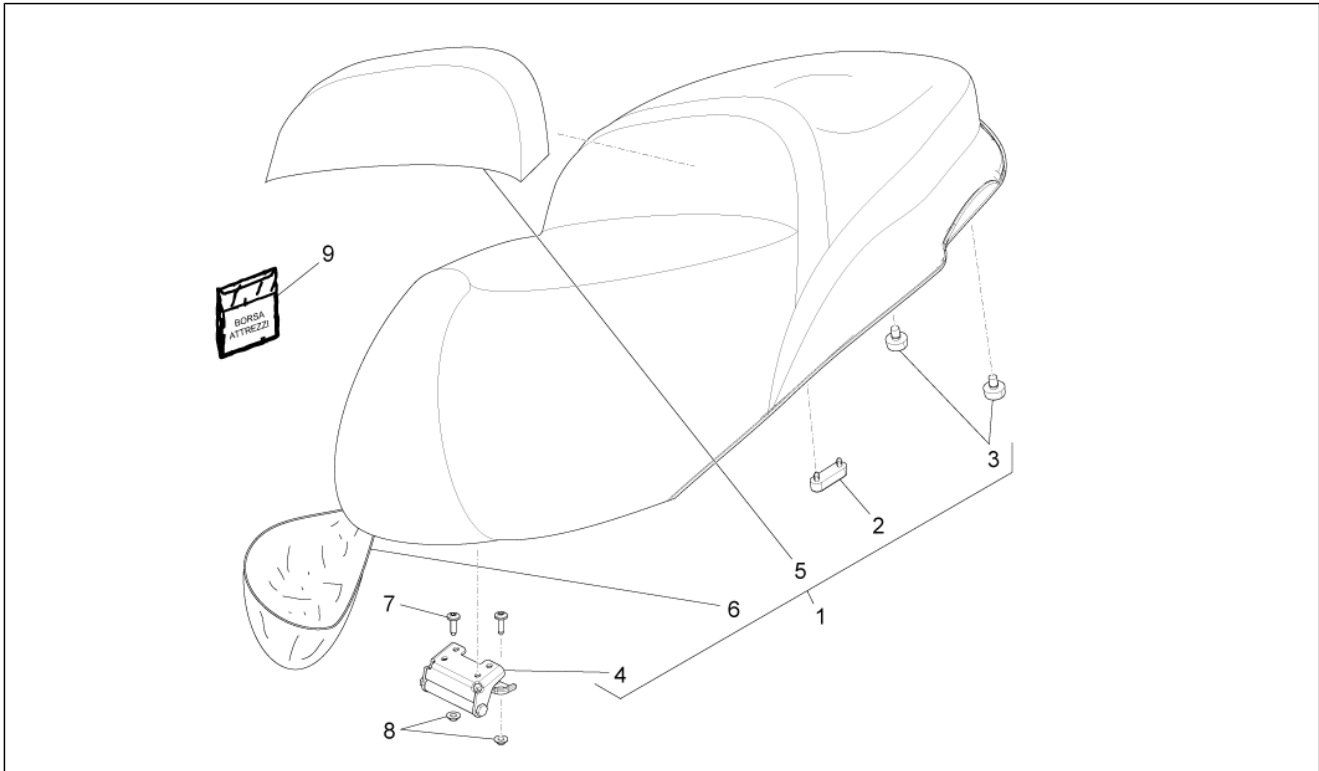
Pos.	Code	Description	Qty	Variants
1	674503000C	Rear splash guard	1	
2	CM179302	Metric screw M6x22	3	
3	254485	Spring plate M6	3	
4	642745	Number plate holder	1	
5	018591	screw M4x14	3	
6	016404	Flat washer 4,2x7,6x0,9	3	
7	013763	Flat washer 4,2x12x1	3	
8	020104	Nut M4	3	
9	181351	Spring plate	4	
10	479882	Spacer	4	
11	657217	Engine splash guard	1	
12	297498	Self tapping screw M3,5x13	3	
13	013763	Flat washer 4,2x12x1	3	
14	58233R	Rear retroreflector	1	
15	656853	Rear protection	1	
15	6568530090	Rear protection	1	Vehicle colour:BLACK[94]
15	65685300BR	Rear protection	1	Vehicle colour:White[544]
15	65685300DE	Rear protection	1	Vehicle colour:Blue[222/A]
15	65685300H4	Rear protection	1	Vehicle colour:Grey[760/B]
15	65685300RR	Rear protection	1	Vehicle colour:Red[849/A]
16	CM178601	Self tapping screw D4.2x16	2	
17	294519	Reflector	2	

Group	Frame - Plastic parts - Coachwork
Code	02.38
Description	Plates - Emblems
Service	1



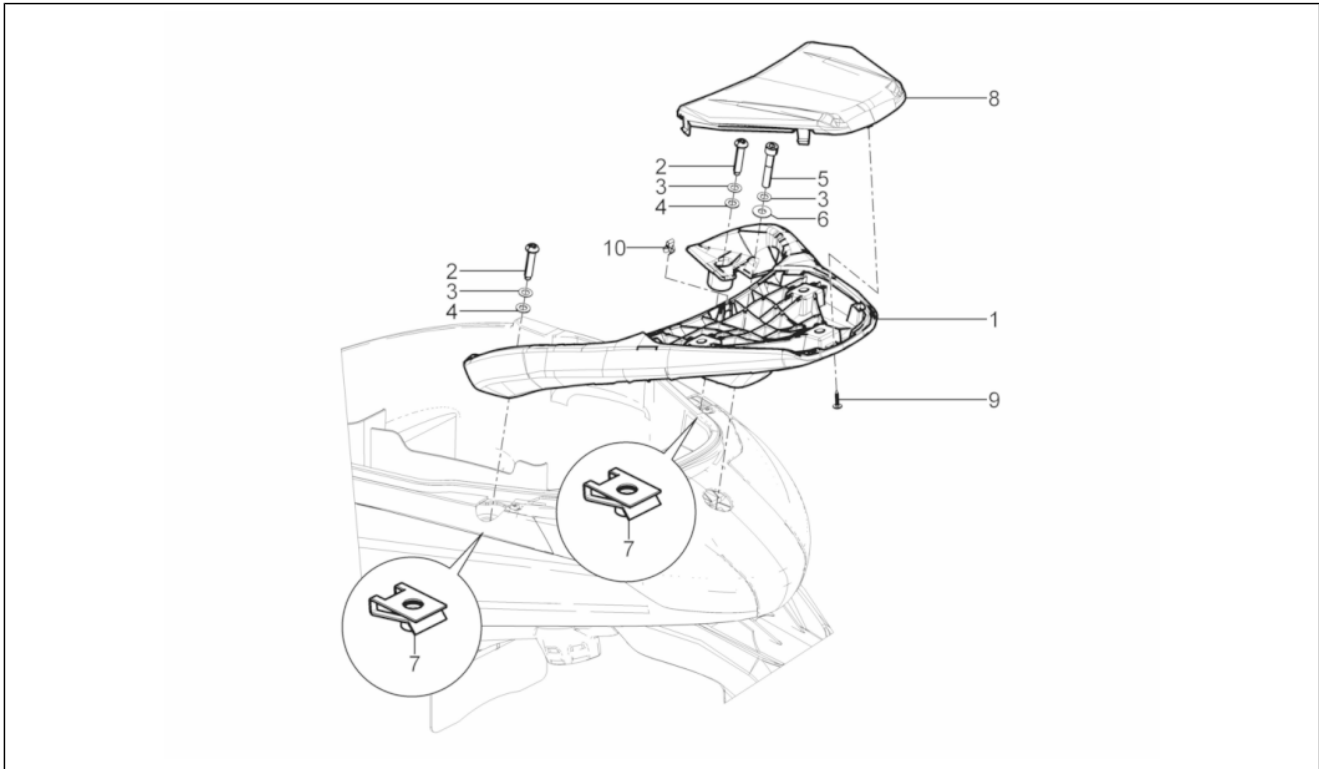
Pos.	Code	Description	Qty	Variants
1	624554	Piaggio shield	1	
2	672200	Name plate "Piaggio Technology"	1	
3	576702	Battery decal	1	
4	576704	"Safety" plate	1	
5	576473	Saddle opening warning label	1	
6	576708	Accessories sticker	1	
7	895839	Targhetta "Eni"	2	
8	576953	Name plate "No pets"	1	
9	654326	Targhetta "hot pressurized fluid"	1	
10	671146	Tyre pressure label	1	

Group	Frame - Plastic parts - Coachwork
Code	02.39
Description	Saddle/seats - Tool roll
Service	1



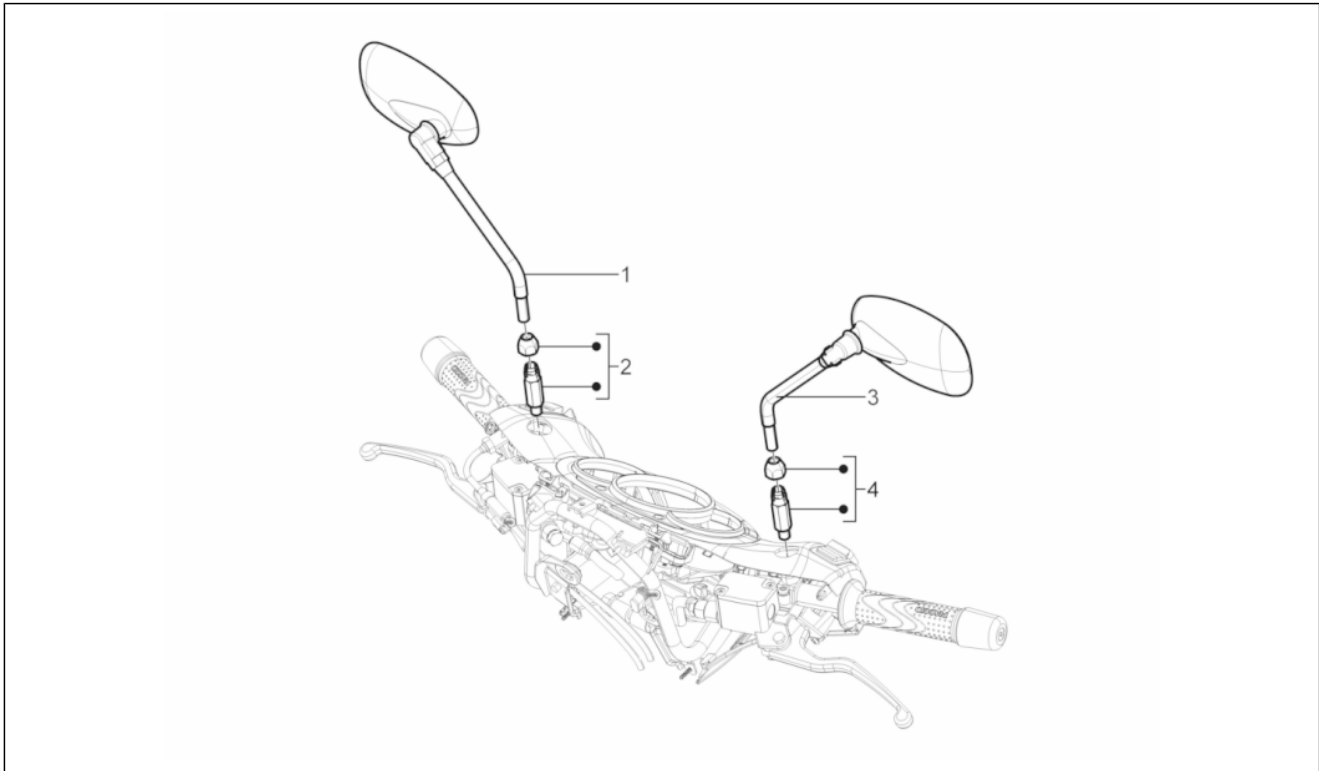
Pos.	Code	Description	Qty	Variants
1	67323200C1	Saddle assembly	1	Vehicle colour:Blue[222/A] Vehicle colour:Red[849/A] Vehicle colour:White[544]
1	67323200C3	Saddle assembly	1	Vehicle colour:Grey[760/B] Vehicle colour:BLACK[94]
2	296456	Pad	2	
3	577492	Pad	2	
4	656847	Saddle hinge	1	
5	67404900C1	Saddle back	1	Vehicle colour:Blue[222/A] Vehicle colour:Red[849/A] Vehicle colour:White[544]
5	67404900C3	Saddle back	1	Vehicle colour:Grey[760/B] Vehicle colour:BLACK[94]
6	621498	Saddle guard cooling hood	1	
7	CM179302	Metric screw M6x22	2	
8	830056	Knurled bushing	2	
9	666281	Tool set, standard l/jack	1	

Group	Frame - Plastic parts - Coachwork
Code	02.44
Description	Rear luggage rack
Service	1



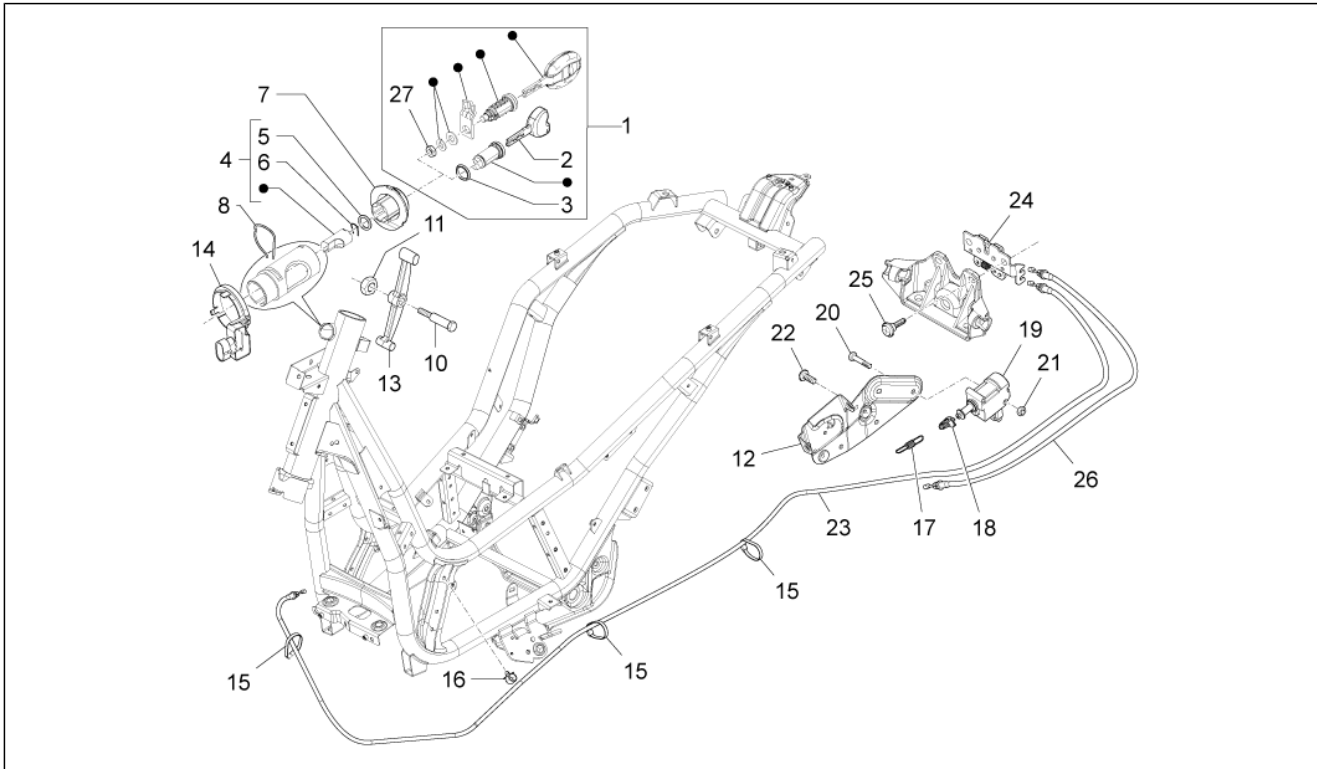
Pos.	Code	Description	Qty	Variants
1	656801	Rear luggage rack	1	
1	65680100H3	Rear luggage rack	1	
2	656894	Torx Screw	2	
3	012540	Notched washer 14x8,3x1,8	3	
4	003058	Plain washer 15x8,4x1,5	2	
5	826298	Hex socket screw	1	
6	006032	Washer	1	
7	575268	Spring plate M8	2	
8	656802000C	Luggage rack cover	1	
9	CM178604	Self tapping screw	1	
10	D9004468091	Gripper clip	1	

Group	Frame - Plastic parts - Coachwork
Code	02.45
Description	Driving mirror/s
Service	1



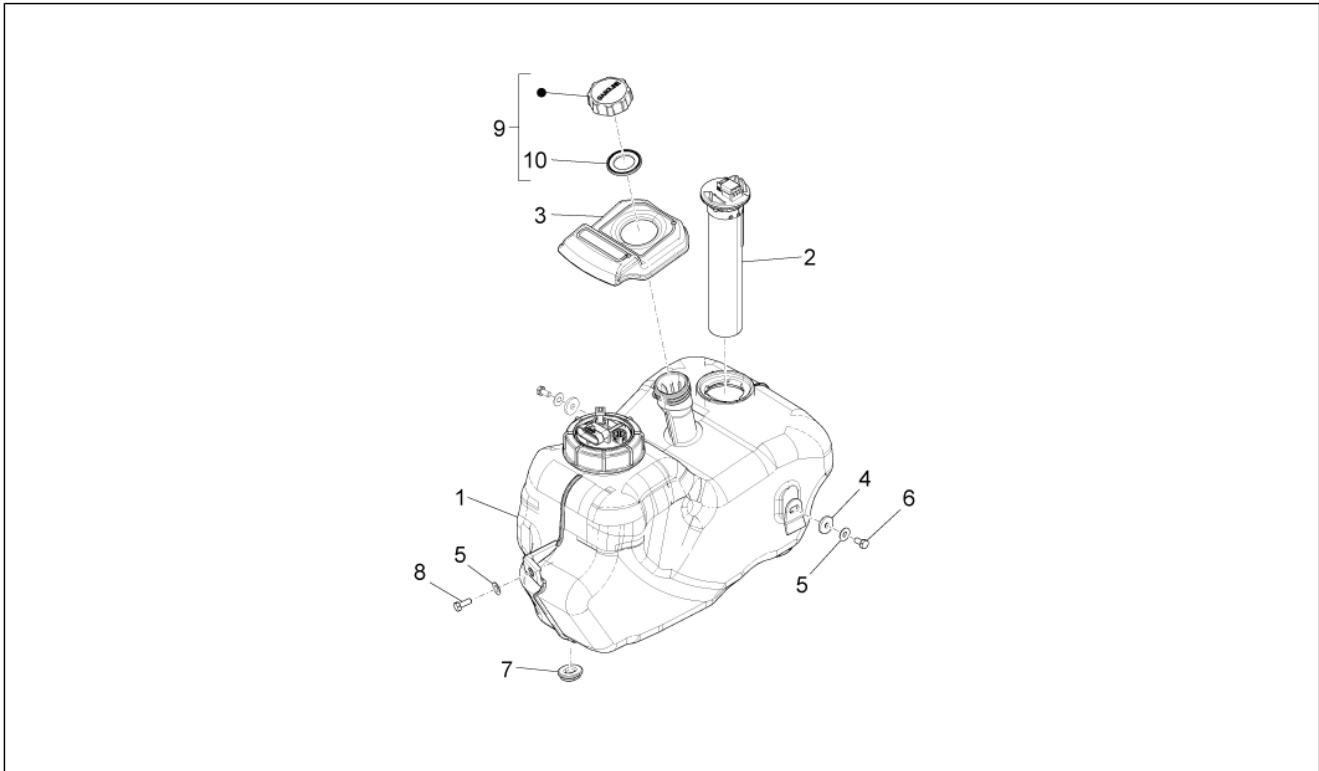
Pos.	Code	Description	Qty	Variants
1	CM179908	RH rearview mirror	1	
2	655120	Rear view mirror fastening clamp	1	
3	CM179907	LH rearview mirror	1	
4	655120	Rear view mirror fastening clamp	1	

Group	Frame - Plastic parts - Coachwork
Code	02.46
Description	Locks
Service	1



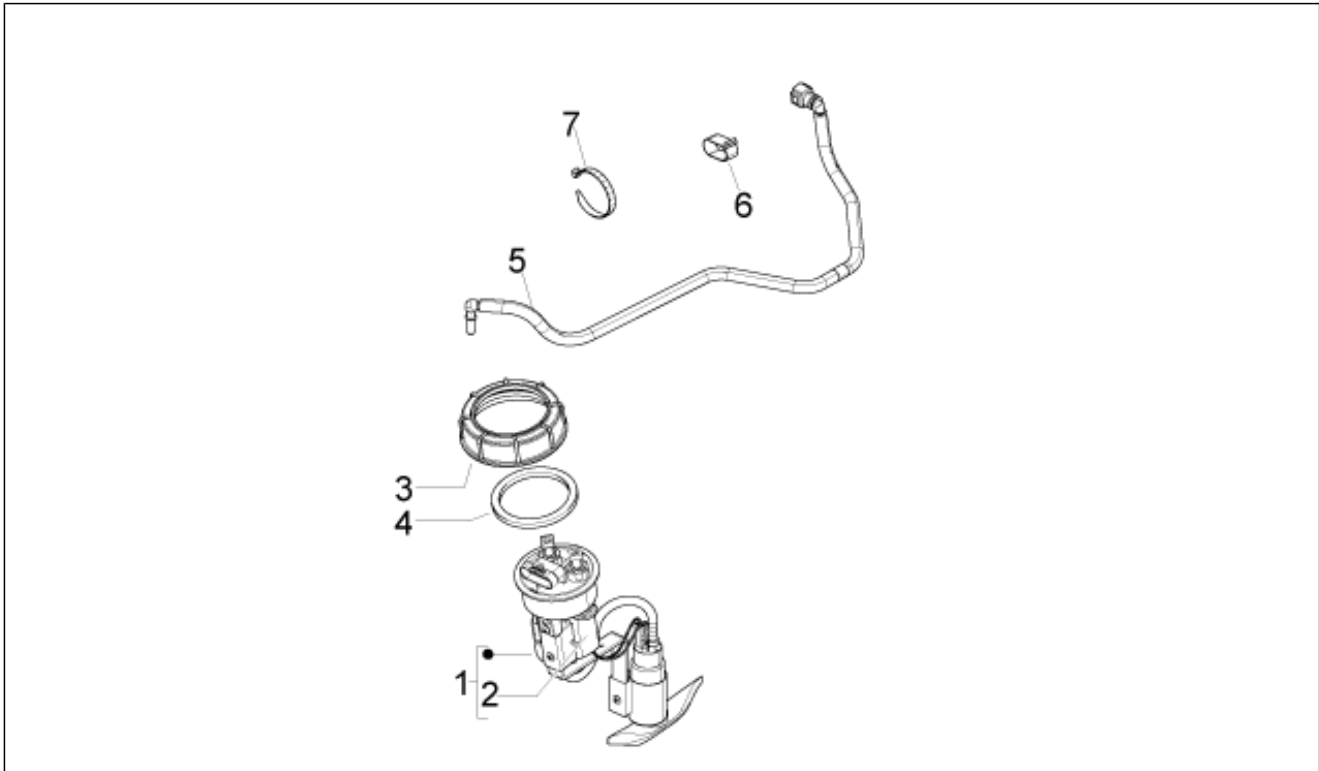
Pos.	Code	Description	Qty	Variants
1	674956	Lock kit	1	
2	656264	Key blank	1	
3	298731	Gasket ring	1	
4	577816	Block	1	
5	298594	Flat washer	1	
6	298838	Cylinder retainer spring	1	
7	298581	Lock body	1	
8	253937	Spring	1	
10	299972	Special screw	1	
11	577620	Self locking nut	1	
12	657224	Transmission support bracket	1	
13	656855	Lock lever	1	
14	638534	Immobilizer antenna	1	
15	257134	Lock-strap L=277	3	
16	231590	Elastic spring	1	
17	623788	Saddle tightening spring actuator	1	
18	577128	Joint	1	
19	582990	Solenoid valve	1	
20	584121	Self tapping screw	2	
21	577620	Self locking nut	2	
22	CM179301	Screw M6x16	2	
23	CM012841	Saddle cable	1	
24	CM023701	Lock body	1	
25	CM179202	screw	2	
26	CM012842	Actuator-lever saddle transmission	1	
27	020207	Nut	1	

Group	Frame - Plastic parts - Coachwork
Code	02.47
Description	Fuel tank
Service	1



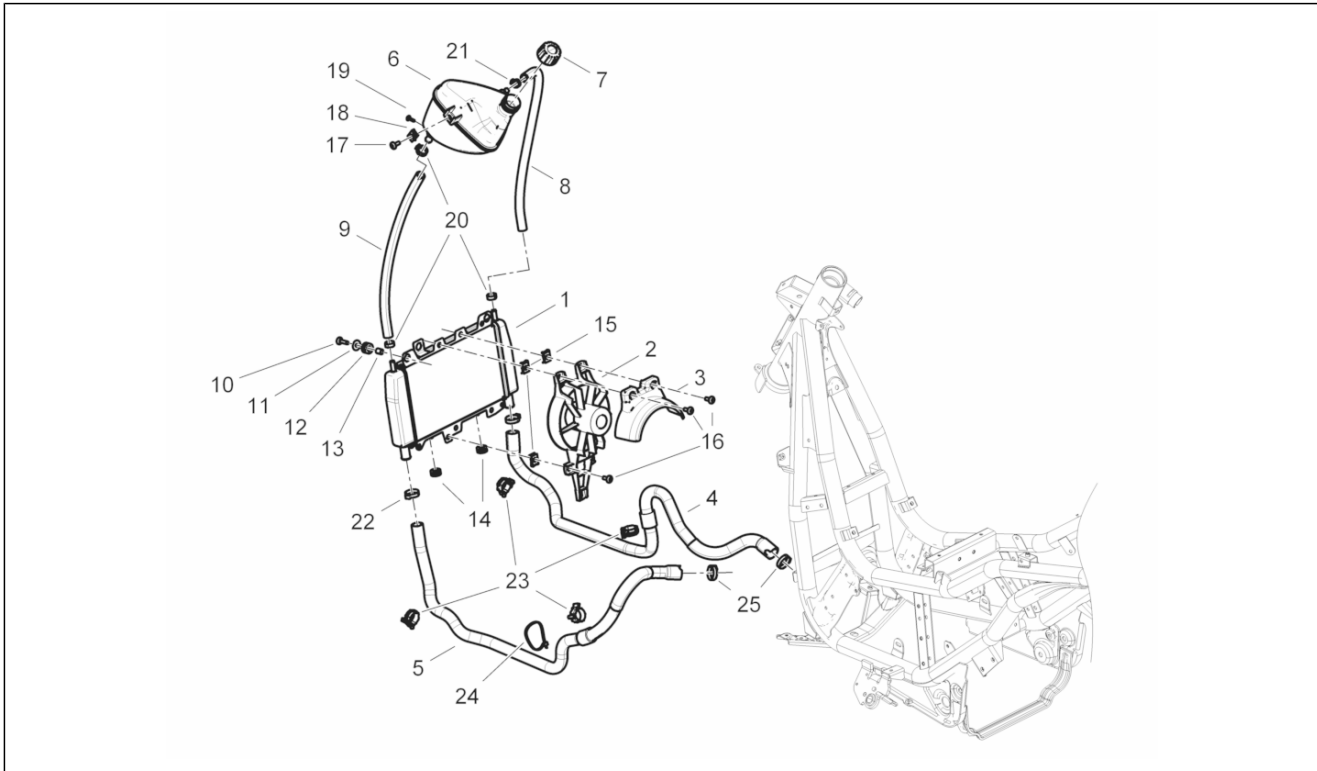
Pos.	Code	Description	Qty	Variants
1	674953	Fuel tank	1	
2	CM025718	Indicator fuel level	1	
3	674955	Fuel recovery tank	1	
4	268304	Flat washer 6,5x21	2	
5	078307	Washer	3	
6	031086	Screw m6x12	2	
7	463195	Elastic drift	1	
8	031088	screw M6x16	1	
9	656022	Plug	1	
10	656021	Tank cover gasket	1	

Group	Frame - Plastic parts - Coachwork
Code	02.53
Description	Supply system
Service	1



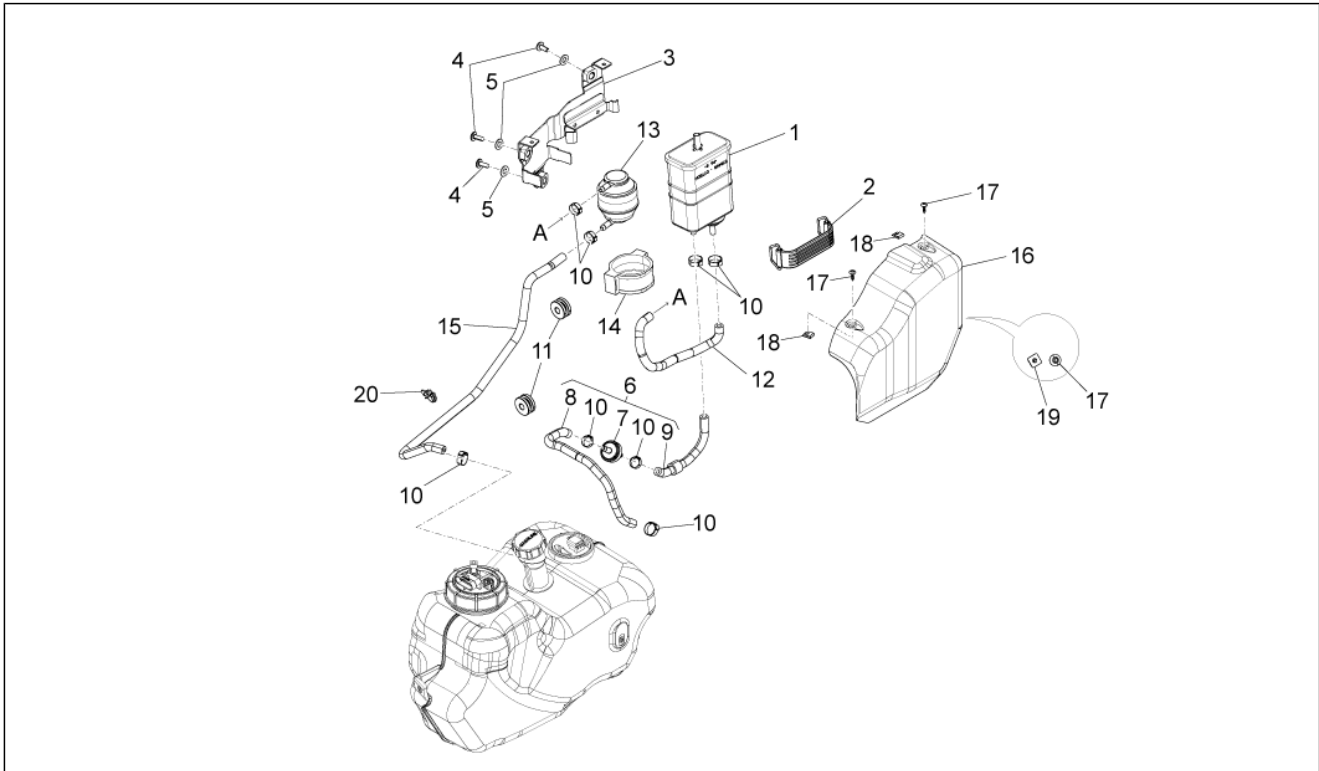
Pos.	Code	Description	Qty	Variants
1	641892	Fuel pump	1	
2	639357	Fuel pump filter	1	
3	576546	Ring nut	1	
4	656003	Gasket	1	
5	673797	Complete fuel pipe	1	
6	CM006905	Non return spring L=12	1	
7	623743	Hose clamp	2	

Group	Frame - Plastic parts - Coachwork
Code	02.55
Description	Cooling system
Service	1



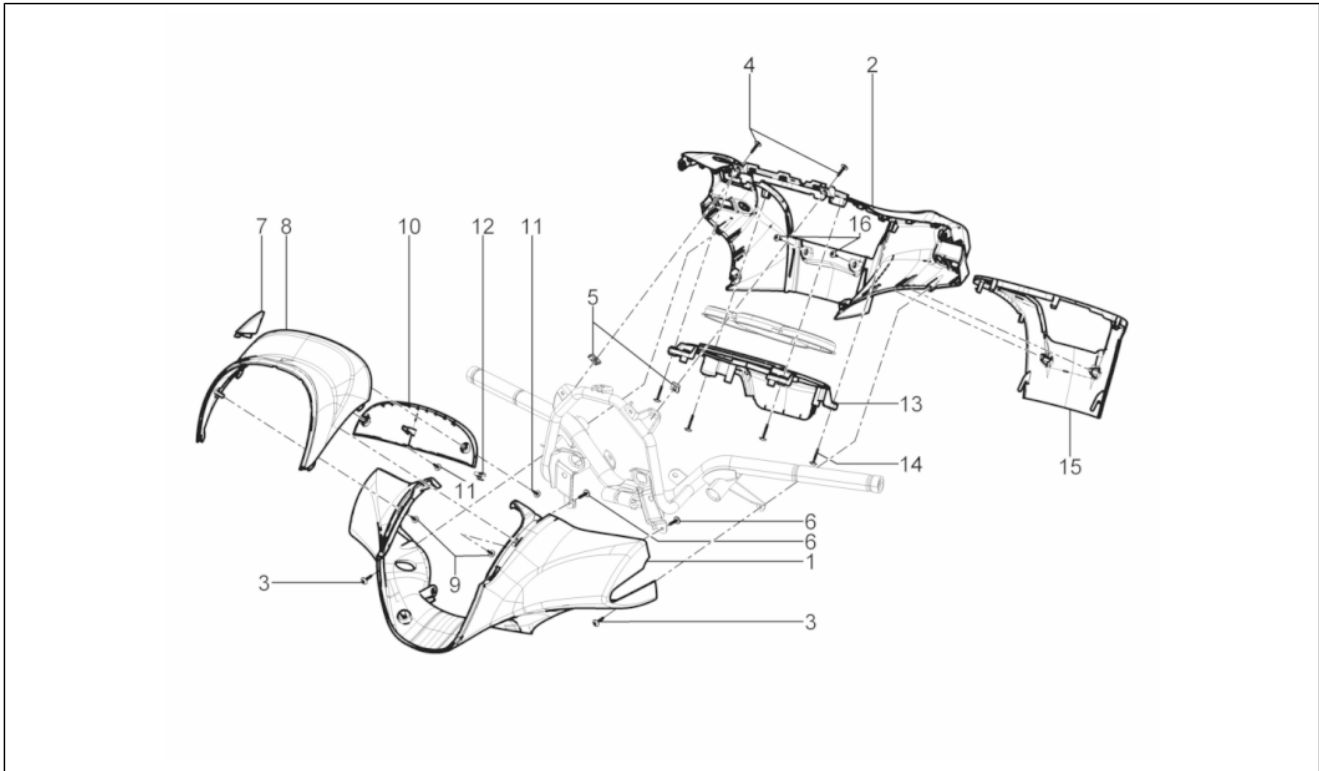
Pos.	Code	Description	Qty	Variants
1	656528	Water cooler	1	
1	672995	Water cooler	1	
2	58170R	Electric fan	1	
3	672464	Fan shroud	1	
4	673126	Radiator-head pipe fitting link	1	
4	674872	Radiator big end connection pipe	1	
5	673127	Pump-radiator pipe fitting	1	
5	674873	Pump-radiator pipe fitting	1	
6	656807	Coolant tank	1	
7	623673	Expansion tank plug	1	
8	CM007017	Cooler-tank return pipe	1	
9	CM007018	Water rad.feed pipe	1	
10	CM179305	screw M6x25	1	
11	013092	Washer d6,2x20x1	1	
12	351782	Upper rubber	1	
13	273288	Spacer	1	
14	258904	Lower rubber	2	
15	254485	Spring plate M6	3	
16	CM179305	screw M6x25	3	
17	CM179301	Screw M6x16	1	
18	254485	Spring plate M6	1	
19	CM180701	Self tapping screw D4x16	1	
20	CM001902	Hose clamp	3	
21	CM001904	Hose clamp	1	
22	CM001915	Hose clamp	2	
23	CM006914	Non return spring	4	
24	CM001917	Hose clamp	1	
25	CM001922	Hose clamp	2	

Group	Frame - Plastic parts - Coachwork
Code	02.61
Description	Anti-percolation system
Service	1



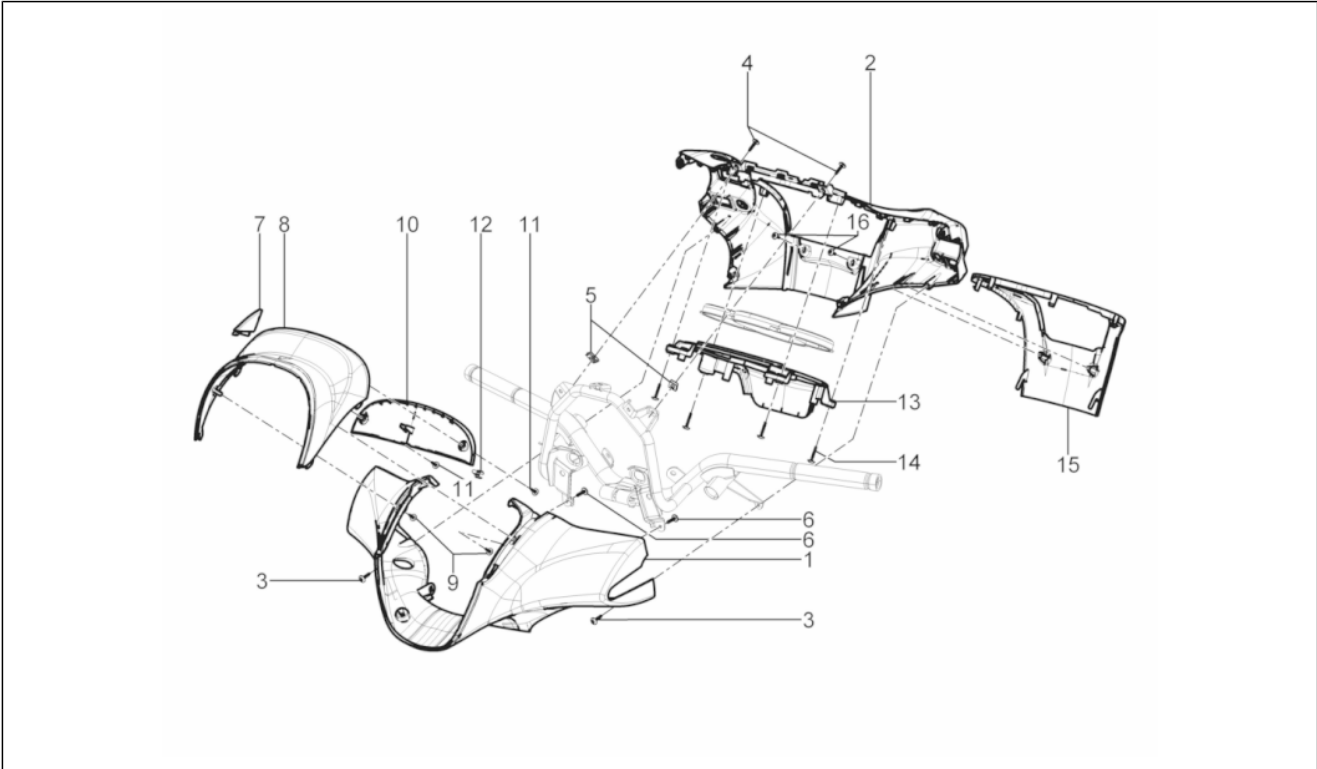
Pos.	Code	Description	Qty	Variants
1	576468	Carbon filter	1	
2	583921	Strip	1	
3	673954	Canister bracket	1	
4	CM179301	Screw M6x16	3	
5	016406	Spring washer 6,4x11,8x1	3	
6	673957	Canister pipe/ Complete depressor	1	
7	624384	Safety valve	1	
8	CM177939	pipe	1	
9	CM177938	pipe	1	
10	CM001914	Hose clamp	4	
11	702195	Fairlead	2	
12	CM177937	pipe	1	
13	CM028207	Volet	1	
14	576454	Maintenance	1	
15	CM177906	pipe L=295mm	1	
16	673956	Canister cover	1	
17	CM178601	Self tapping screw D4.2x16	3	
18	CM017410	Spring plate	2	
19	157716	Expansion plug	1	
20	217280	Hose clamp	1	

Group	Handlebars/Steering
Code	03.01
Description	Handlebars coverages
Service	1



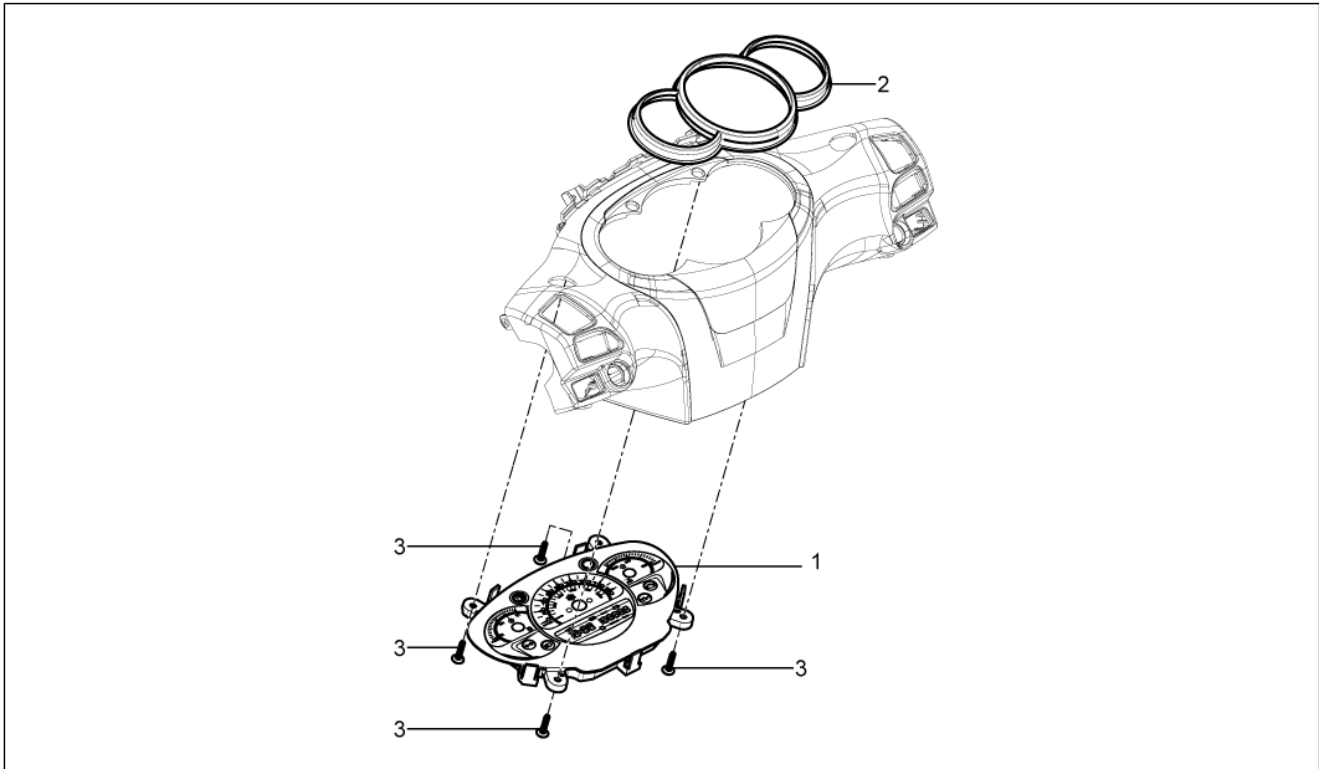
Pos.	Code	Description	Qty	Variants
1	674504	Front handlebar cover	1	
1	6745040090	Front handlebar cover	1	Vehicle colour:BLACK[94]
1	67450400BR	Front handlebar cover	1	Vehicle colour:White[544]
1	67450400DE	Front handlebar cover	1	Vehicle colour:Blue[222/A]
1	67450400H4	Front handlebar cover	1	Vehicle colour:Grey[760/B]
1	67450400RR	Front handlebar cover	1	Vehicle colour:Red[849/A]
2	656465000C	Rear handlebars cover	1	Vehicle colour:Blue[222/A] Vehicle colour:Red[849/A] Vehicle colour:White[544]
2	65646500RU	Rear handlebars cover	1	Vehicle colour:BLACK[94] Vehicle colour:Grey[760/B]
3	CM180701	Self tapping screw D4x16	2	
4	CM178606	Self tapping screw 4,2x16	2	
5	CM017409	Spring plate	2	
6	CM180701	Self tapping screw D4x16	2	
7	657204000C	Plug	1	
8	656466000C	Upper handlebar cover	1	
9	297498	Self tapping screw M3,5x13	2	
10	656468000C	Upper cover closing element	1	
11	297498	Self tapping screw M3,5x13	2	
12	D9004468091	Gripper clip	1	
13	656469	Handlebar rear flange	1	
14	CM180702	Self tapping screw	4	
15	656467	Rear front cowl	1	
15	6564670090	Rear front cowl	1	Vehicle colour:BLACK[94]
15	65646700BR	Rear front cowl	1	Vehicle colour:White[544]
15	65646700DE	Rear front cowl	1	Vehicle colour:Blue[222/A]
15	65646700H4	Rear front cowl	1	Vehicle colour:Grey[760/B]
15	65646700RR	Rear front cowl	1	Vehicle colour:Red[849/A]

Group	Handlebars/Steering
Code	03.01
Description	Handlebars coverages
Service	1



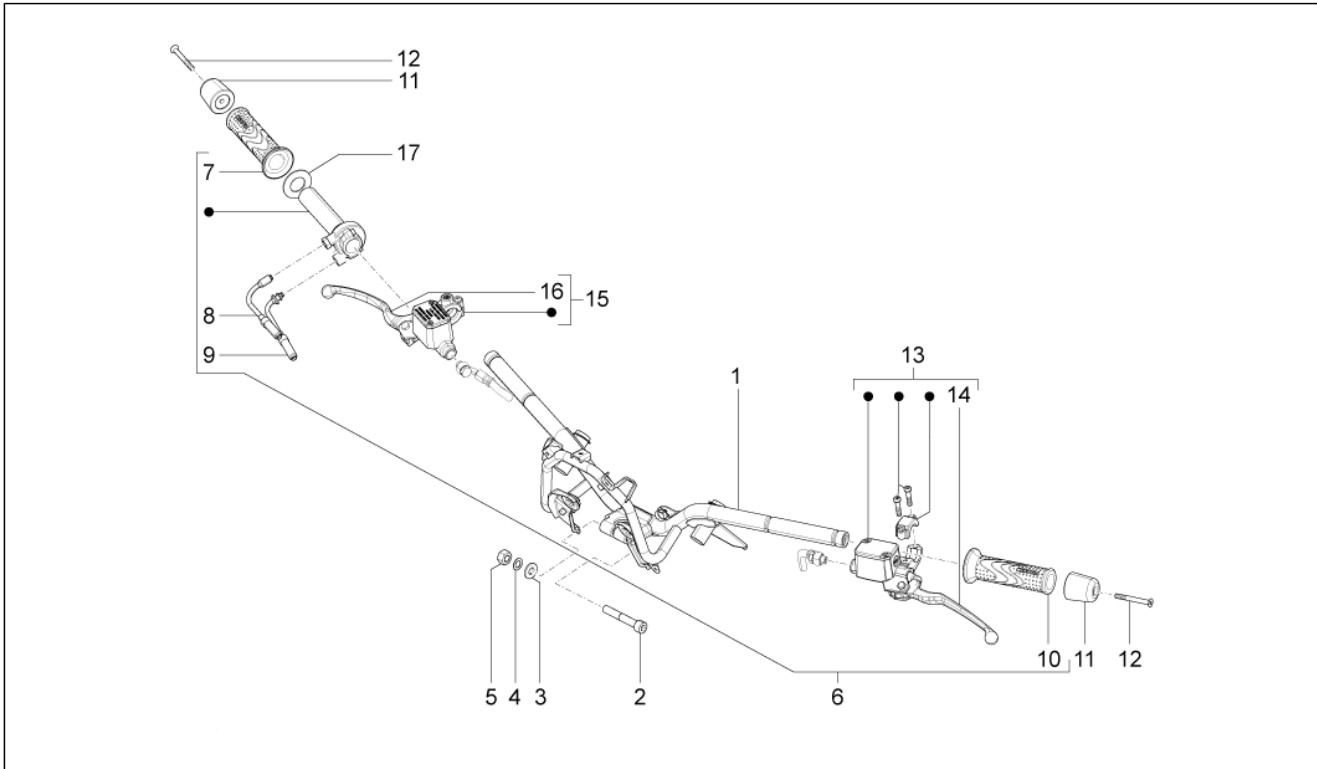
Pos.	Code	Description	Qty	Variants
16	297498	Self tapping screw M3,5x13	2	

Group	Handlebars/Steering
Code	03.02
Description	Meter combination - Cruscotto
Service	1



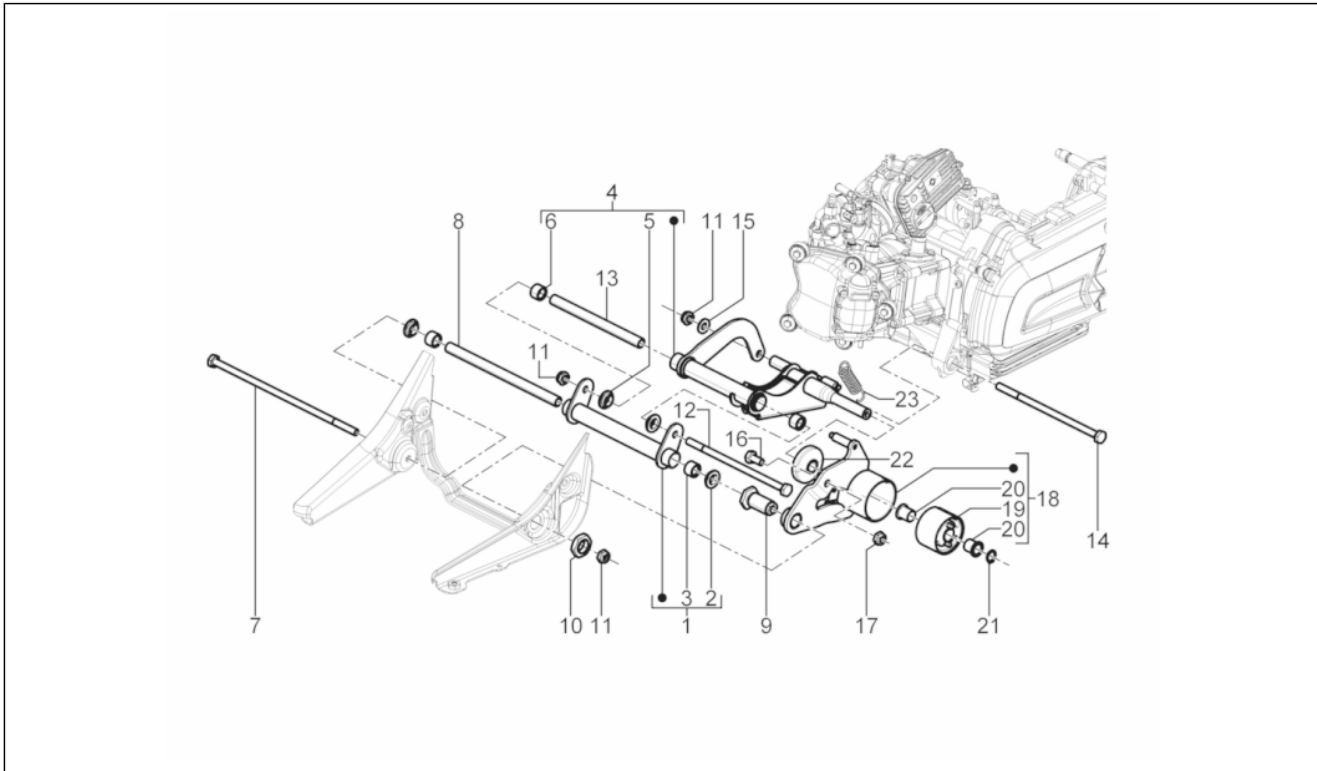
Pos.	Code	Description	Qty	Variants
1	642982	Meter combination	1	
1	643170	Meter combination	1	
2	672138	Instrument panel frame	1	
3	CM180702	Self tapping screw	4	

Group	Handlebars/Steering
Code	03.06
Description	Handlebars - Master cil.
Service	1



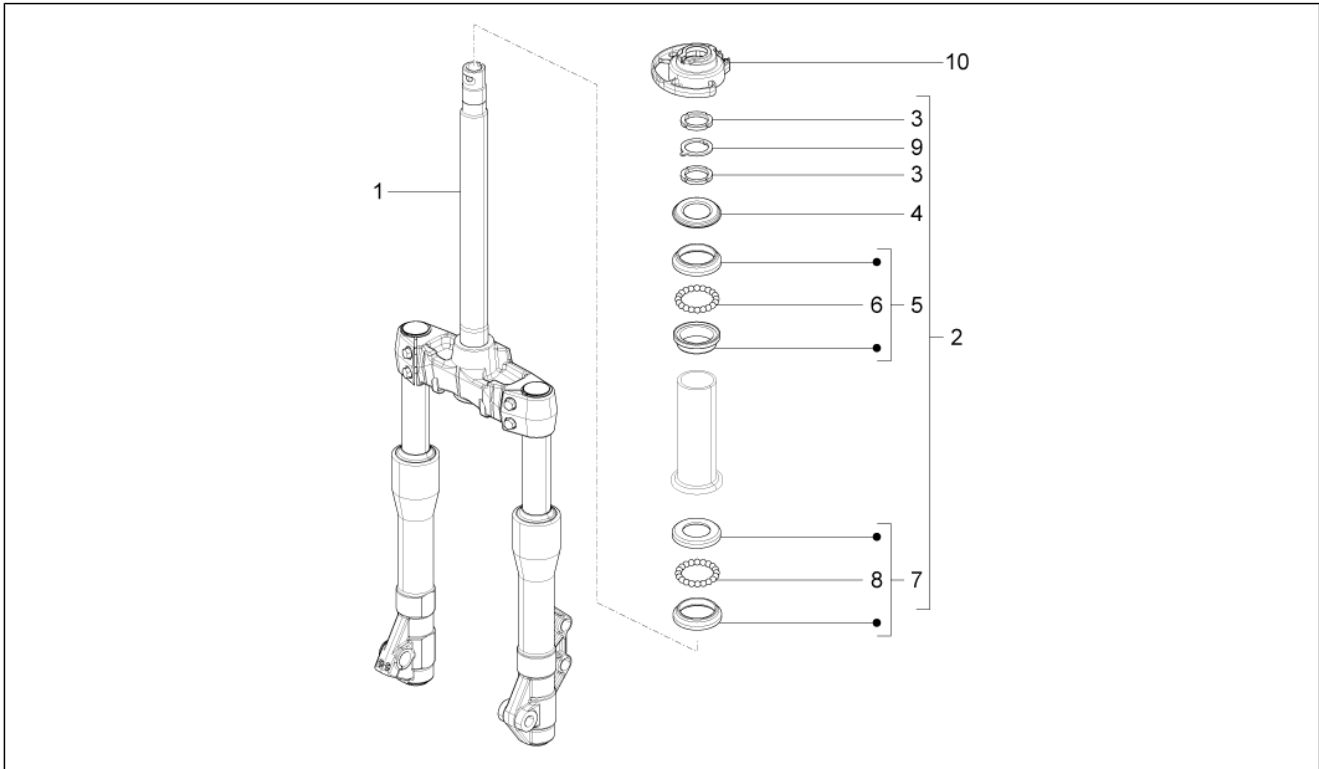
Pos.	Code	Description	Qty	Variants
1	6737075	Handlebar with U.P.	1	
2	674421	Hex socket screw M10x65	1	
3	178790	Flat washer 22x10,3x2,5	1	
4	012543	Flat elastic washer with internal tothing 17x10,3x2	1	
5	015330	Nut M10	1	
6	58609R	Throttle control sleeve assembly	1	
7	CM084202	Grip, r.h.	1	
8	666643	Throttle opening transmission	1	
9	666644	Throttle closing transmission	1	
10	CM084201	Grip, l.h.	1	
11	673339	Terminal	2	
12	271434	screw M6x55	2	
13	CM086005	Left brake hydraulic pump	1	
14	646829	Brake lever (Brembo)	1	
15	CM086003	Right hydraulic pump (Brembo)	1	
16	646829	Brake lever (Brembo)	1	
17	601170	Handlebar washer	1	

Group	Suspensions - Wheels
Code	04.01
Description	Swinging arm
Service	1



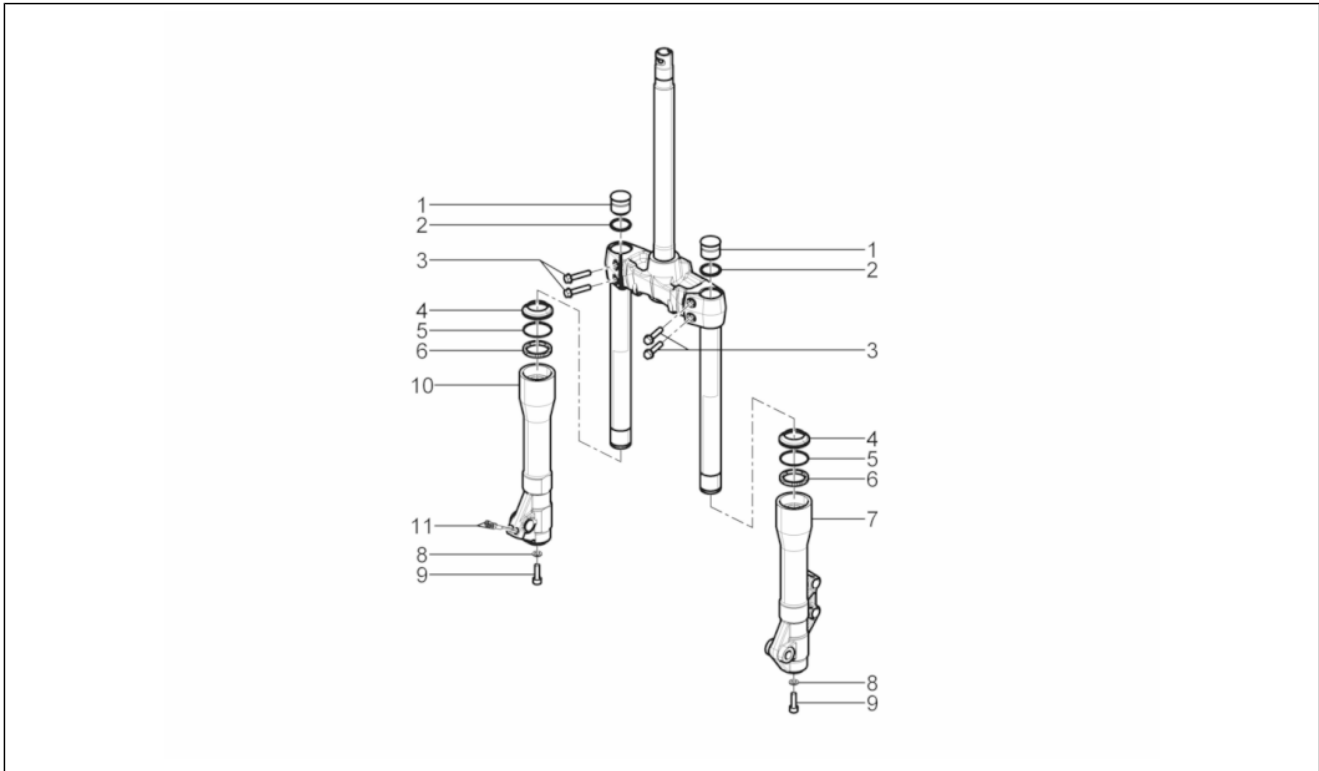
Pos.	Code	Description	Qty	Variants
1	666950	Chassis side swinging arm	1	
2	597317	Bush	2	
3	597374	Roller cage	2	
4	666900	Engine side swinging arm	1	
5	597317	Bush	2	
6	597374	Roller cage	2	
7	667827	Hex screw M10x225	1	
8	CM067809	Spacer L=235.5	1	
9	597774	Bush	1	
10	564611	Nut m22x2 h=8	1	
11	002440	Self locking nut M10	3	
12	667827	Hex screw M10x225	1	
13	CM067807	Spacer L=198	1	
14	597081	screw	1	
15	178790	Flat washer 22x10,3x2,5	1	
16	597893	Hex socket screw	1	
17	002440	Self locking nut M10	1	
18	666884	Complete silent block support bracket	1	
19	272750	Silent-block	1	
20	273460	Bush	2	
21	006416	Circlip	1	
22	599250	Pad	1	
23	597490	Spring	1	

Group	Suspensions - Wheels
Code	04.02
Description	Fork/steering tube - Steering bearing unit
Service	1



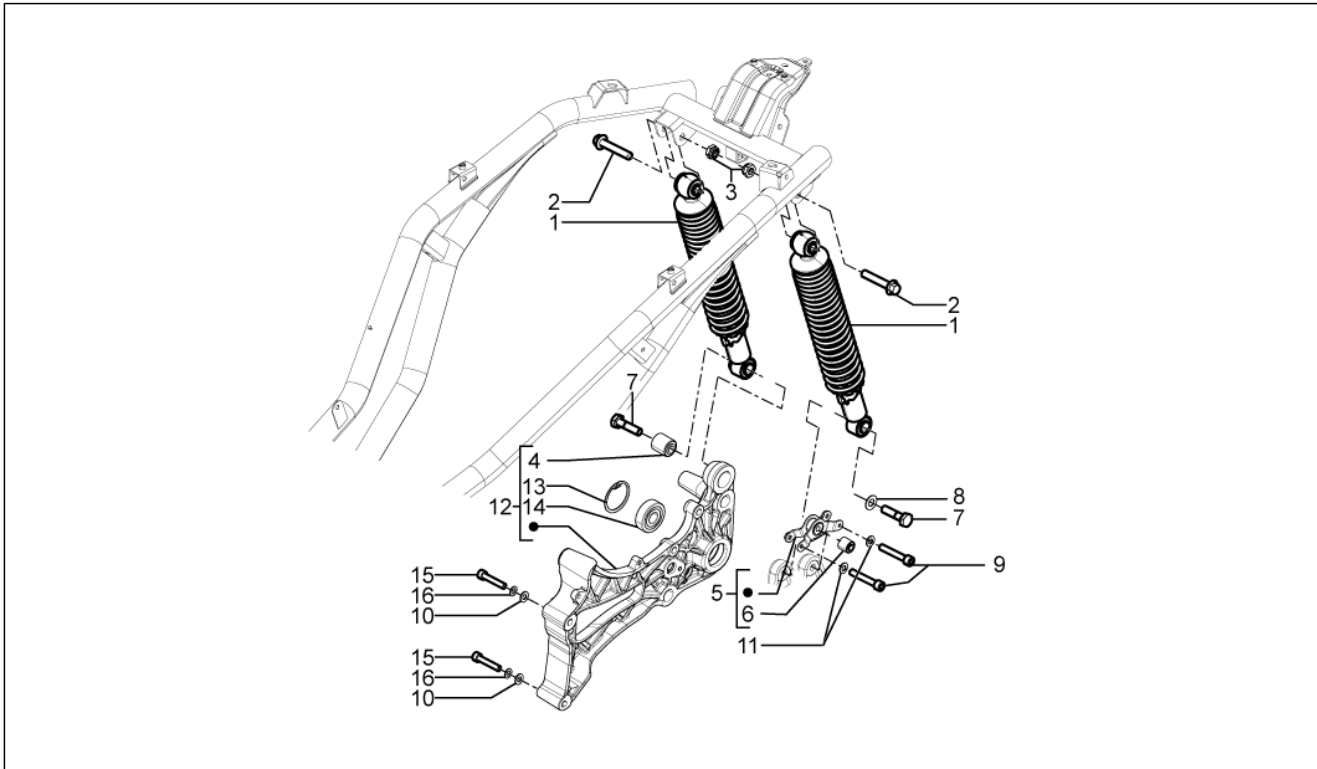
Pos.	Code	Description	Qty	Variants
1	58584R	Front fork assembly	1	
2	6008725	Steering bearing assy.	1	
3	0111094	Steering tube ring nut	2	
4	600753	Cup	1	
5	600750	Upper thrust ring	1	
6	564260	Ball cage	1	
7	6500754	Lower steering bearing	1	
8	564260	Ball cage	1	
9	582787	Steering security plate	1	
10	666439	Protective collar	1	

Group	Suspensions - Wheels
Code	04.03
Description	Fork's components (Kayaba)
Service	1



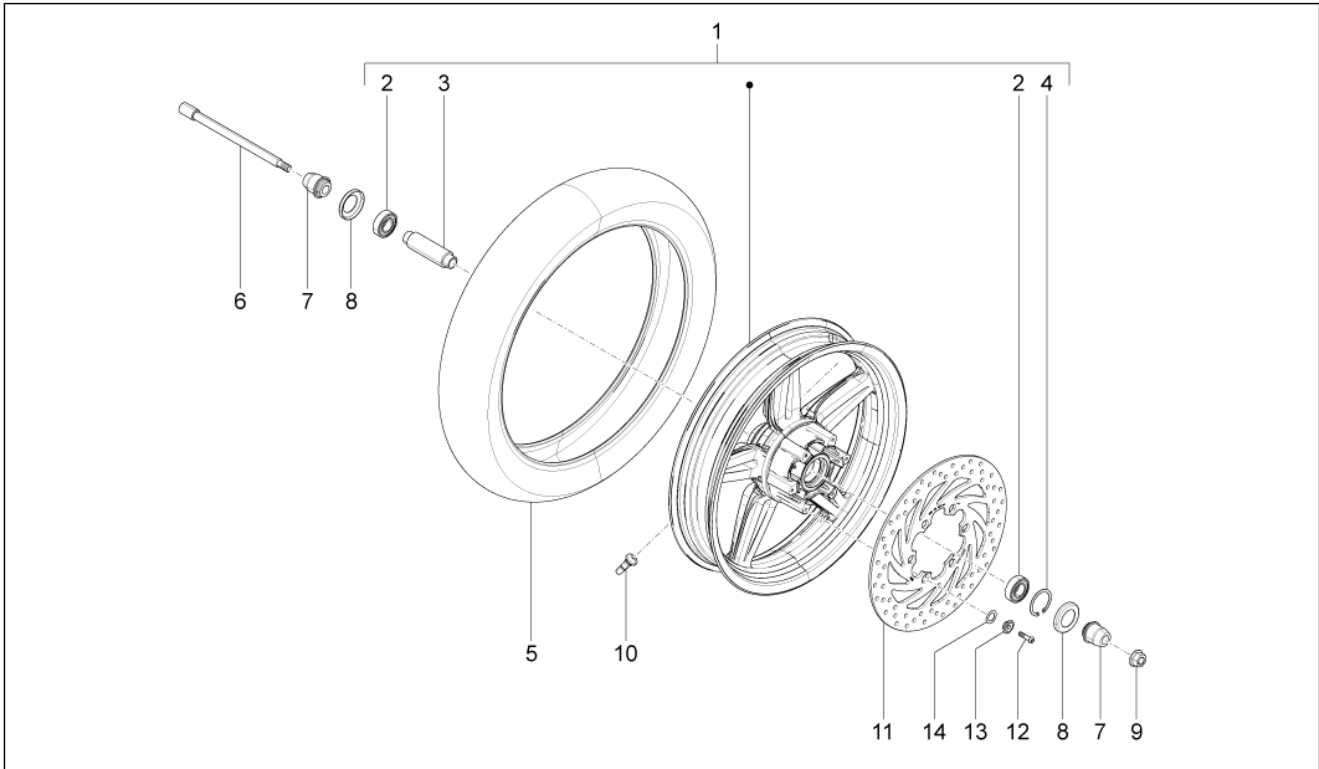
Pos.	Code	Description	Qty	Variants
1	666390	Plug	2	
2	666389	O-ring	2	
3	649992	screw	4	
4	667212	Dust cover ring	2	
5	497132	Gasket ring	2	
6	667211	Fork oil seal	2	
7	667215	L.H. sleeve assy	1	
8	599270	Washer (KAYABA)	2	
9	666387	screw	2	
10	667214	R.H. sleeve assy	1	
11	649619	screw	2	

Group	Suspensions - Wheels
Code	04.10
Description	Rear suspension - Shock absorber/s
Service	1



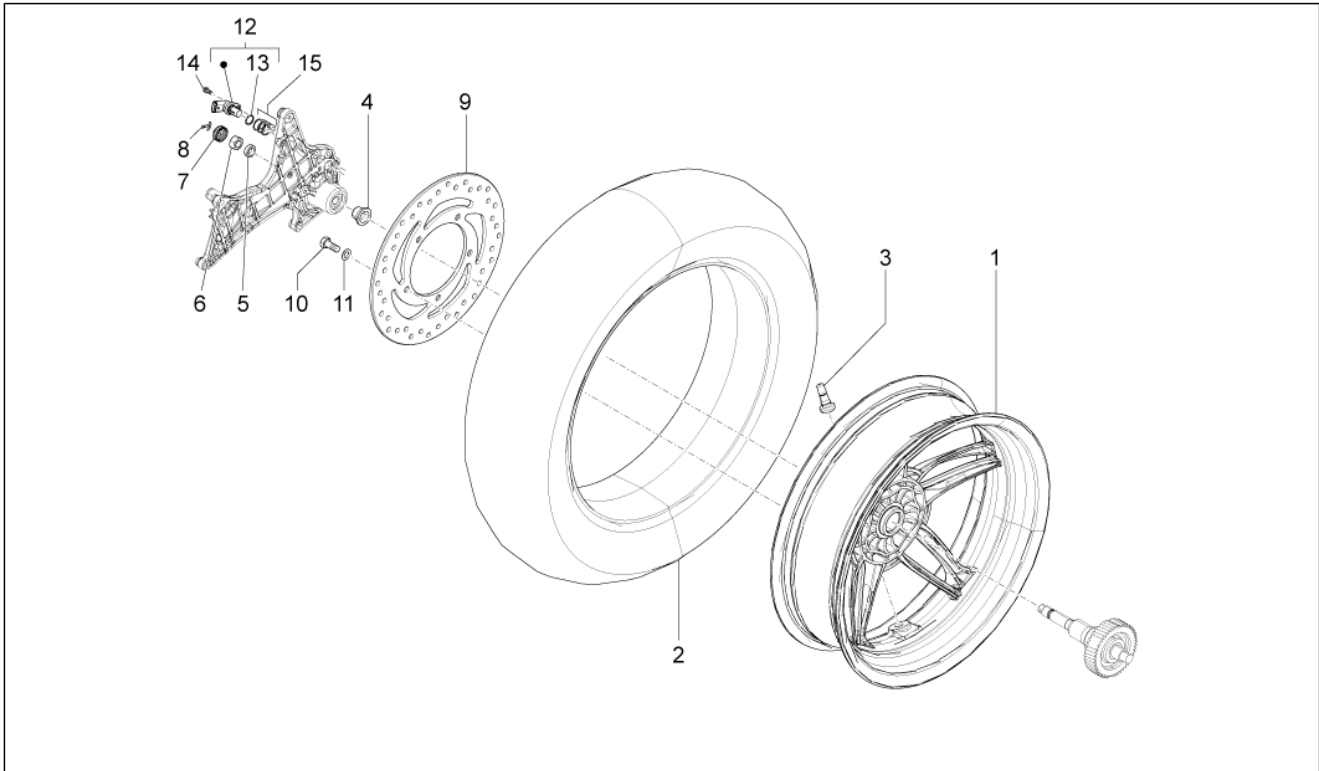
Pos.	Code	Description	Qty	Variants
1	58583R	Complete rear shock absorber	2	
1	58613R	Complete rear shock absorber	2	
2	268158	Screw w/ flange M10	2	
3	002440	Self locking nut M10	2	
4	880343	Sil.block	1	
5	666678	Shock absorber connection bracket	1	
6	880343	Sil.block	1	
7	015578	Hex screw M10x45	2	
8	709646	Washer	2	
9	844483	Hex socket screw M8x50	2	
10	013776	Washer	2	
11	709047	Spring washer	2	
12	880389	Left suspension arm	1	
13	006647	Circlip	1	
14	82545R	Ball bearing	1	
15	845590	Hex socket screw	2	
16	834187	Spring washer 16x8,2x2,2	2	

Group	Suspensions - Wheels
Code	04.11
Description	Front wheel
Service	1



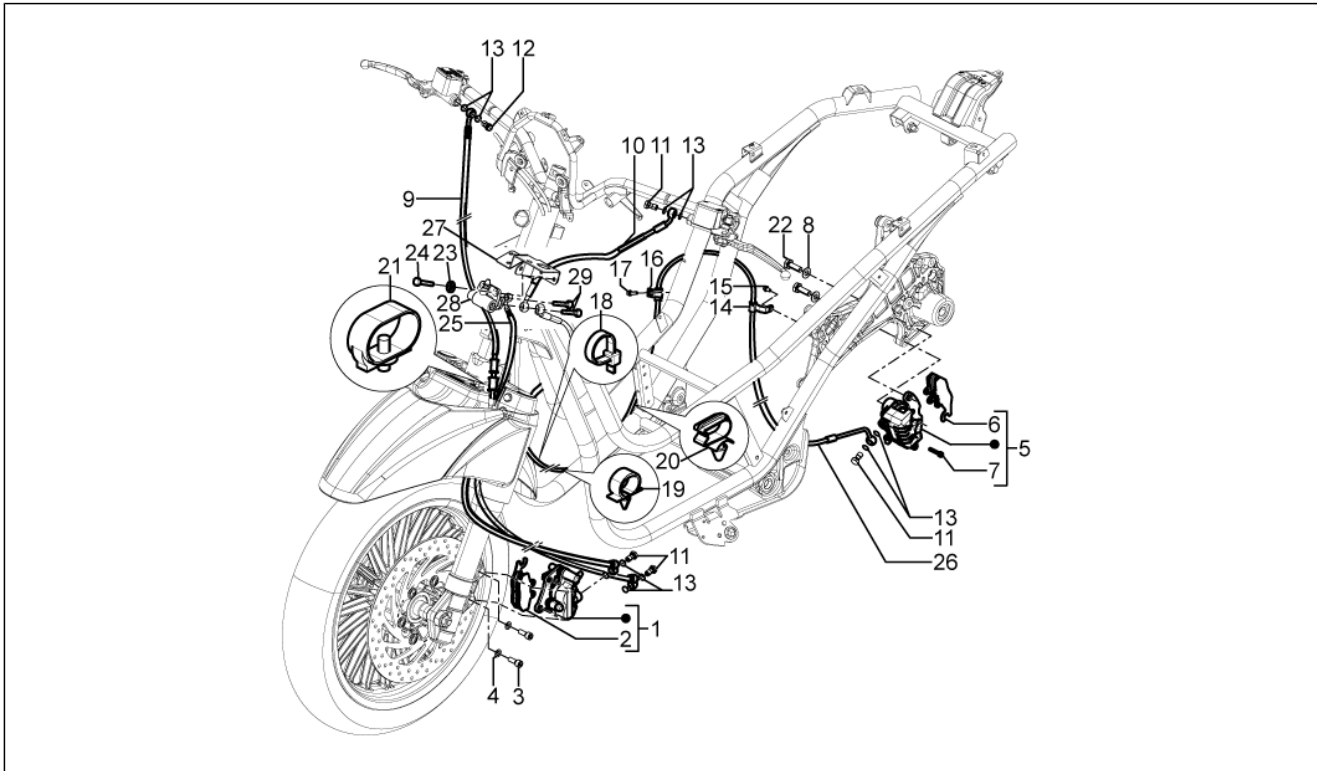
Pos.	Code	Description	Qty	Variants
1	667277	Front wheel complete	1	
2	649565	Radial ball bearing	2	
3	665832	Internal spacer	1	
4	006642	Circlip	1	
5	666327	Tyre (Michelin) 110/70-16"	1	
6	599102	Front wheel axle	1	
7	651269	External spacer	2	
8	649548	Cup	2	
9	271740	Nut M12	1	
10	597679	Tubeless valve	1	
11	58546R	Brake disc	1	
12	274370	Bolt	6	
13	651440	Bush	6	
14	AP8121641	Ring	6	

Group	Suspensions - Wheels
Code	04.12
Description	Rear wheel
Service	1



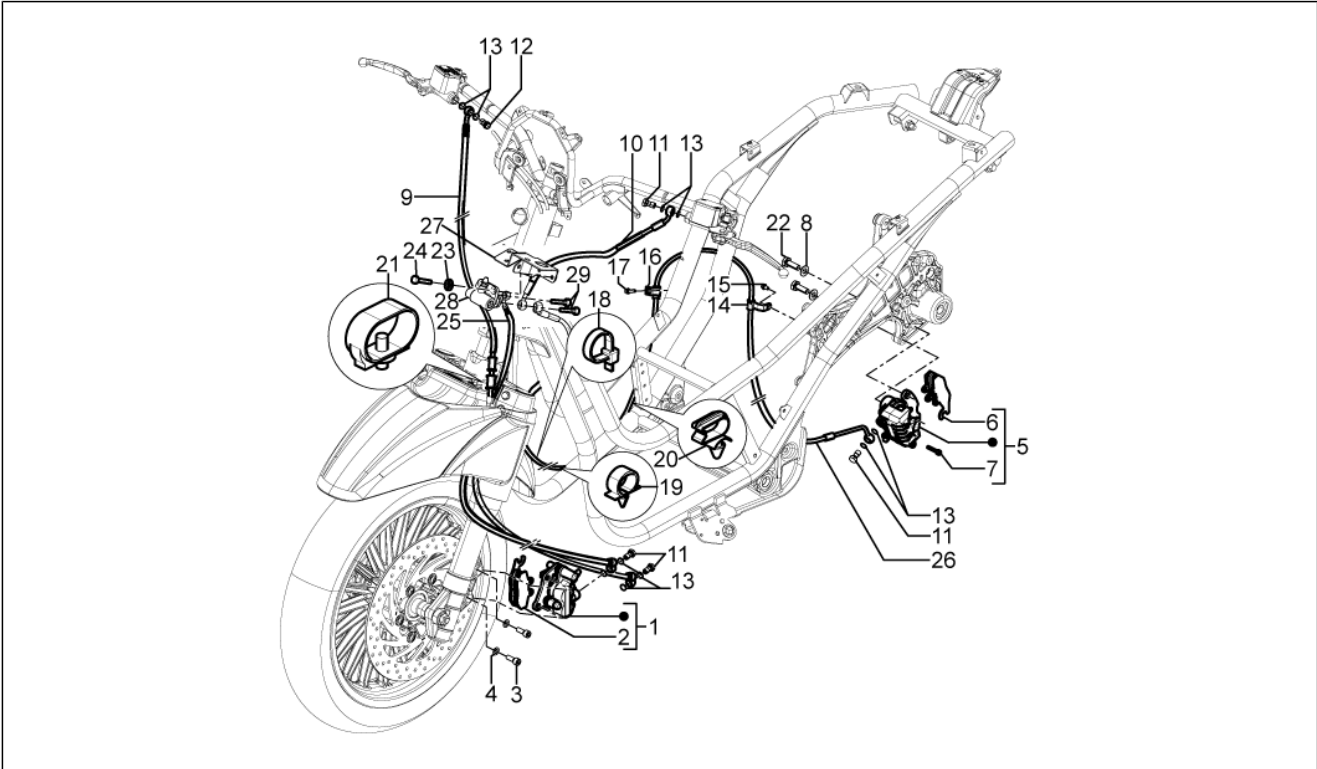
Pos.	Code	Description	Qty	Variants
1	666652	Rear wheel	1	
2	666328	Tyre (Michelin) 150/70-14"	1	
3	597679	Tubeless valve	1	
4	666659	Spacer	1	
5	597528	Spacer	1	
6	563728	Nut M16x13	1	
7	194423	Cappellotto ferma dado	1	
8	012789	Split pin	1	
9	58547R	Brake disc	1	
10	031119	screw	5	
11	709047	Spring washer	5	
12	832963	Phase/revolution sensor	1	
13	430044	O-ring	1	
14	434541	Screw w/ flange M6x16	1	
15	646760	Washer	4	

Group	Braking system - Transmissions
Code	05.01
Description	Brakes pipes - Calipers
Service	1



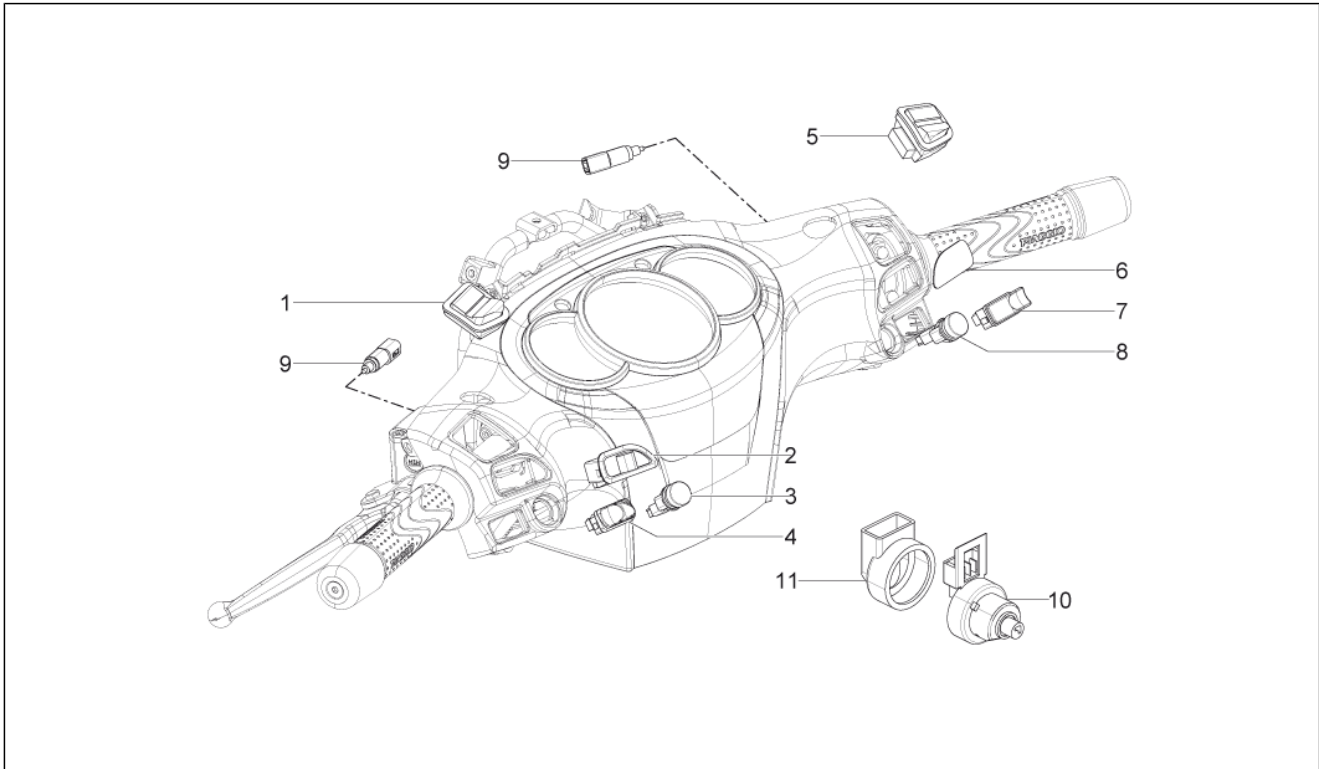
Pos.	Code	Description	Qty	Variants
1	CM085601	(Heng Tong) Left brake pin	1	
2	666935	(Heng Tong) Brake pads torque	1	
3	651297	Torx convex big end screw	2	
4	709047	Spring washer	2	
5	668261	Brake caliper	1	
6	665842	(Heng Tong) Brake pads torque	1	
7	666139	Brake supp. plate pin	2	
8	709646	Washer	2	
9	666828	Front brake flexible piping	1	
10	666648	Brake pipe (master cil. L.H.-valve)	1	
11	265451	Oil pipe screw M10x18	4	
12	666294	Screw w/ flange	2	
13	127927	Gasket	15	
14	482290	Hose clamp	1	
15	969296	Screw w/ flange M6x10	1	
16	623743	Hose clamp	1	
17	434541	Screw w/ flange M6x16	1	
18	257134	Lock-strap L=277	1	
19	231590	Elastic spring	1	
20	217280	Hose clamp	1	
21	666047	Hose clamp	2	
22	665983	Hex screw	2	
23	006976	Spring washer 12x6,4x0,5	2	
24	709099	Hex socket screw M6x16	2	
25	666649	Tubazione flessibile valvola-pinza freno ant.	1	
26	666650	Tubazione freno (valvola-pinza post.)	1	
27	666940	Valve support clamp	1	
28	CM086101	Pressure adjusting valve	1	

Group	Braking system - Transmissions
Code	05.01
Description	Brakes pipes - Calipers
Service	1



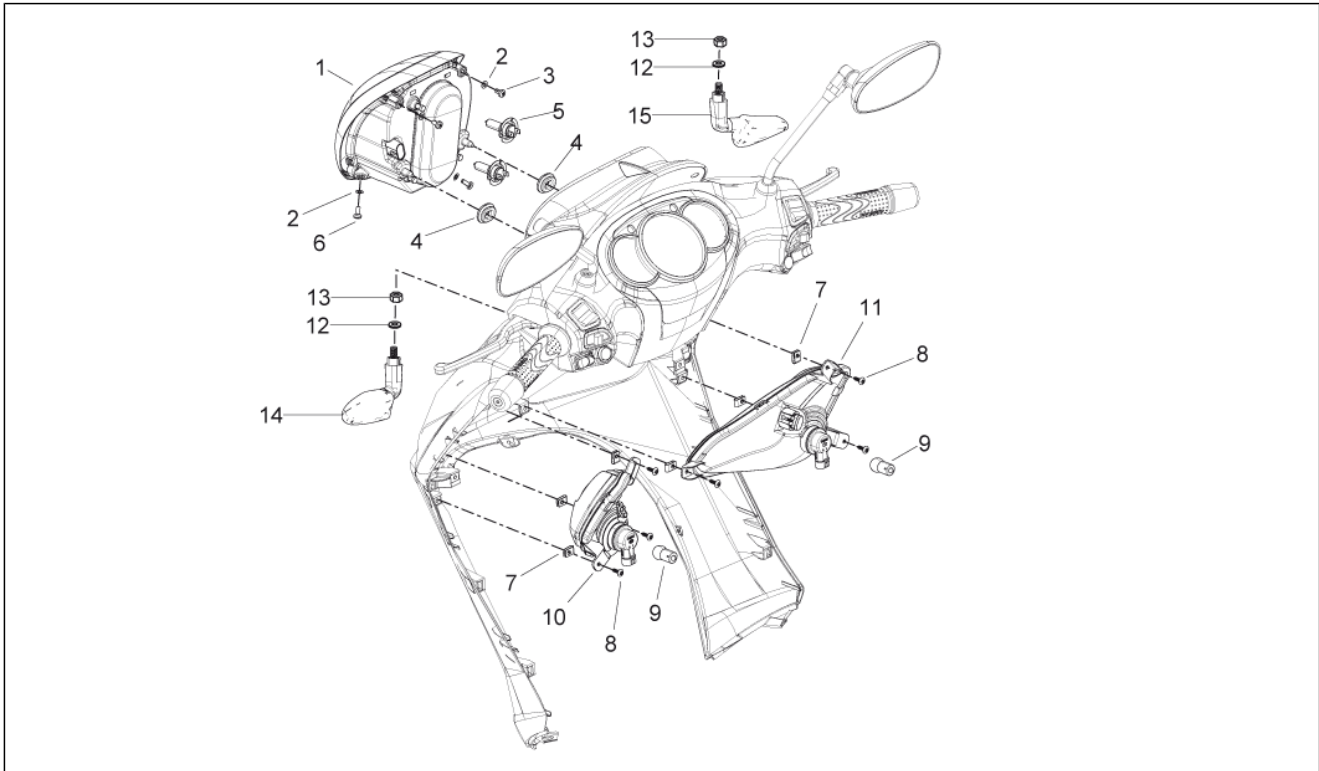
Pos.	Code	Description	Qty	Variants
29	597633	Oil pipe screw *	2	

Group	Electrical system
Code	06.01
Description	Selectors - Switches - Buttons
Service	1



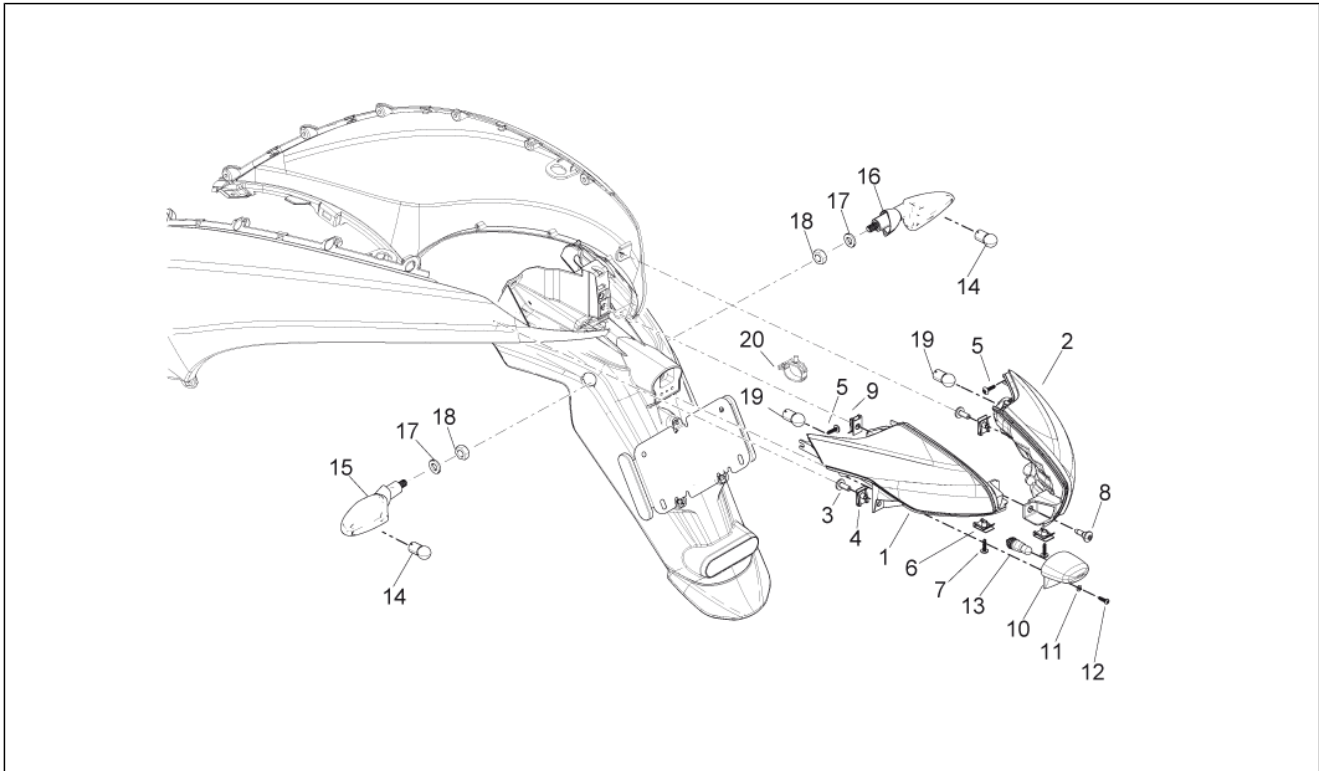
Pos.	Code	Description	Qty	Variants
1	642967	Commutatore luci con sprazzo	1	
2	642679	Turn indicator switch	1	
3	582988	Saddle opening button	1	
4	641743	Horn button	1	
5	641824	Engine stop switch	1	
6	639964	Light switch seat cover	1	
7	641609	Starter button	1	
8	58255R	Pulsante Mode	1	
8	641859	Pulsante Mode	1	
9	642032	stop Button	2	
10	643132	Key switch	1	
11	582041	Commutator cap	1	

Group	Electrical system
Code	06.03
Description	Front headlamps - Turn signal lamps
Service	1



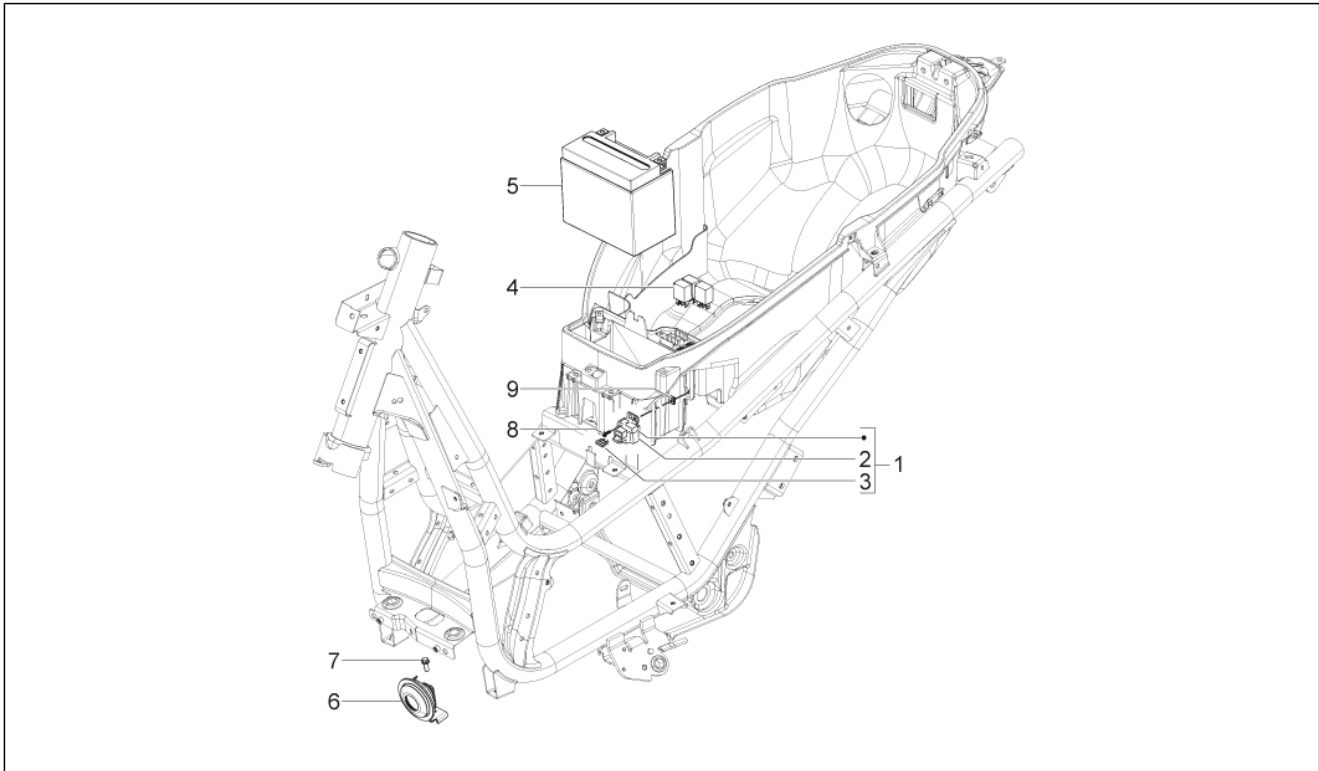
Pos.	Code	Description	Qty	Variants
1	642894	Headlamp, assy	1	
2	006975	Washer Ø5,3xØ10x0,5	4	
3	018575	Screw M5x10	2	
4	463195	Elastic drift	2	
5	294353	Lamp H7 55W 12V	2	
6	018623	Self-tapping screw	2	
7	CM017410	Spring plate	6	
8	CM178601	Self tapping screw D4.2x16	6	
9	584332	Lamp 12V-10W	2	
10	642895	Side light SX	1	
11	642896	Side light DX	1	
12	012535	Washer	2	
13	021210	Nut	2	
14	643062	Lh front turn signal	1	
15	643063	Rh front turn signal	1	

Group	Electrical system
Code	06.04
Description	Rear headlamps - Turn signal lamps
Service	1



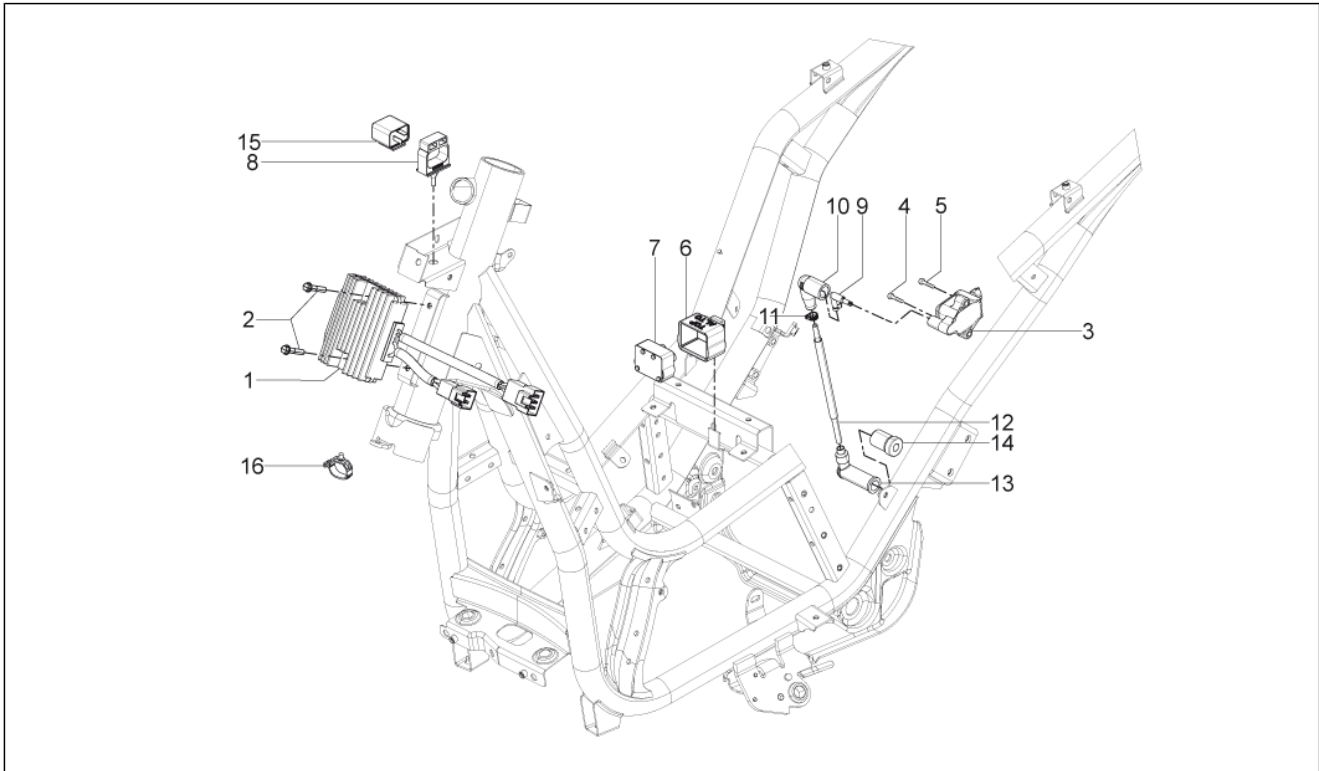
Pos.	Code	Description	Qty	Variants
1	642897	Lh rear light	1	
2	642898	Rh rear light	1	
3	CM179301	Screw M6x16	2	
4	254485	Spring plate M6	2	
5	CM180701	Self tapping screw D4x16	2	
6	CM017410	Spring plate	2	
7	CM178601	Self tapping screw D4.2x16	2	
8	CM179201	Metric screw M6x22	1	
9	254485	Spring plate M6	1	
10	583332	Rear licence plate light	1	
11	003054	Washer 4,3x8x0,5	1	
12	267115	Self tapping screw M4x16	1	
13	292022	Lamp 12V-5W	1	
14	584332	Lamp 12V-10W	2	
15	643064	Left rear turn indicator	1	
16	643065	Right rear turn indicator	1	
17	012535	Washer	2	
18	021210	Nut	2	
19	181746	Lamp 12V-10W	2	
20	CM006911	Non return spring	1	

Group	Electrical system
Code	06.05
Description	Remote control switches - Battery - Horn
Service	1



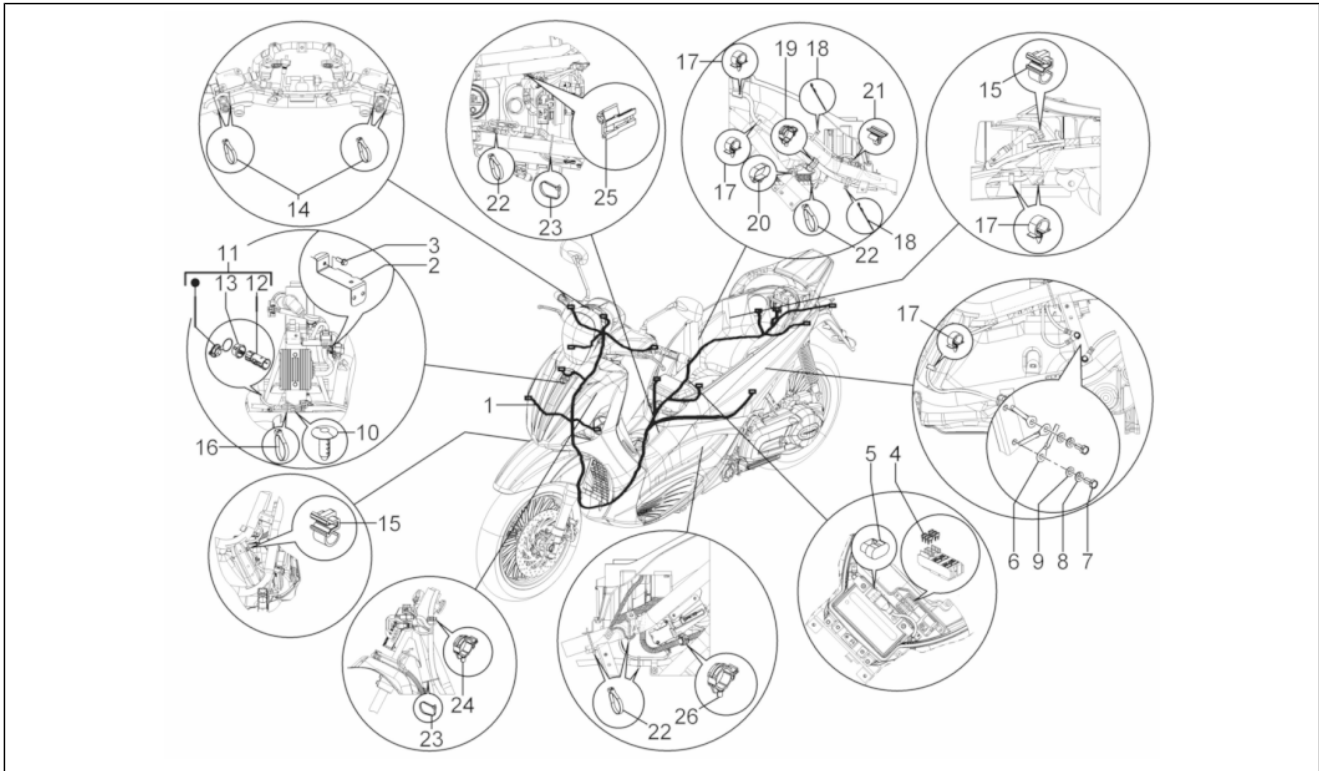
Pos.	Code	Description	Qty	Variants
1	582690	Starter relay	1	
2	582906	Flexible support	1	
3	581440	Fuse 30A	1	
4	642093	Microrelay with resistance 12V-30A	3	
5	583158	Battery (Yuasa) 12V-10Ah	1	
6	CM071802	Horn	1	
7	434541	Screw w/ flange M6x16	1	
8	CM178601	Self tapping screw D4.2x16	2	
9	CM017409	Spring plate	1	

Group	Electrical system
Code	06.06
Description	Voltage Regulators - Electronic Control Units (ecu) - H.T. Coil
Service	1



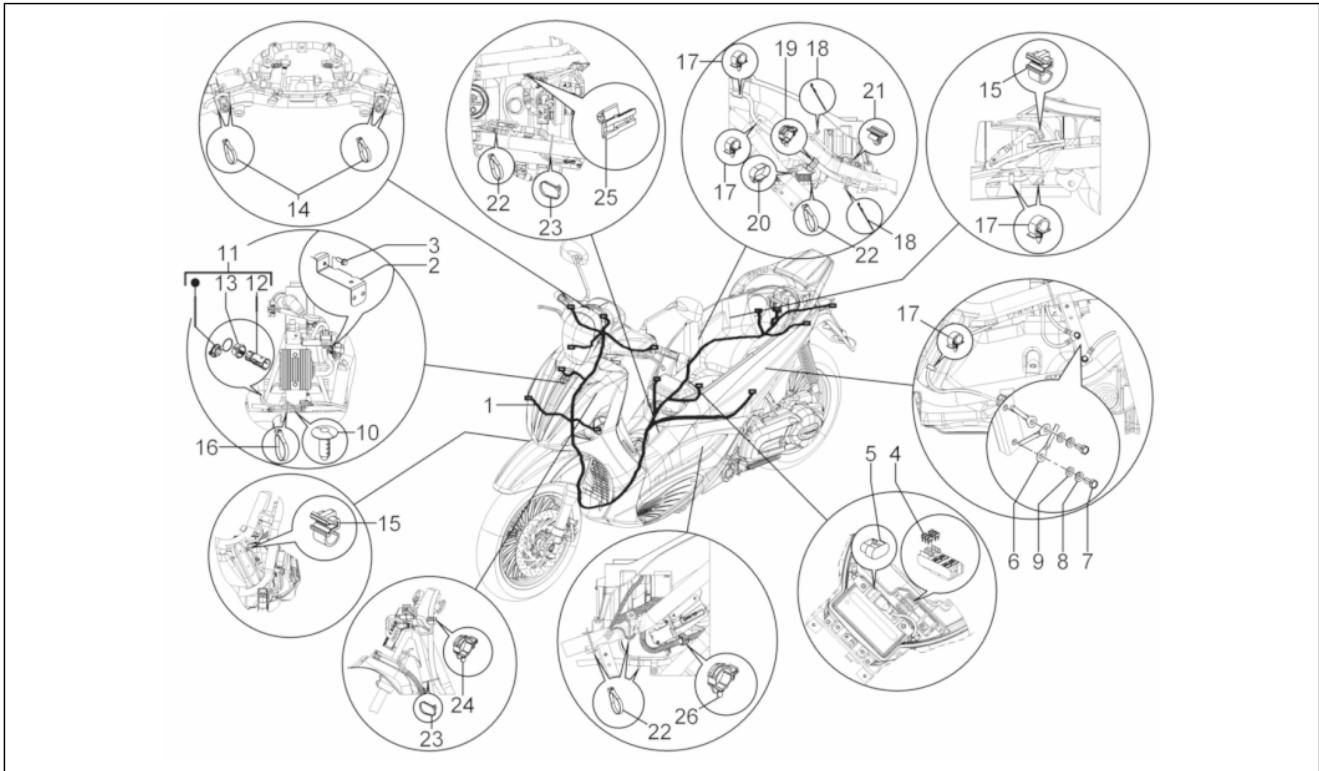
Pos.	Code	Description	Qty	Variants
1	641711	Voltage regulator	1	
2	289731	Screw w/ flange M6x30	2	
3	641901	HT coil SX	1	
4	289731	Screw w/ flange M6x30	1	
4	8016792	Screw w/ flange M6x30	1	
5	857429	Screw w/ flange	1	
6	641915	Flexible support	1	
7	584509	Fall sensor	1	
8	291017	Flexible support	1	
9	643000	HV terminal	1	
10	641040	Insulating cap	1	
11	145298	Lock-strap L=180mm	1	
12	080341	HT wire	1	
13	969348	Screened cap	1	
14	642621	Spark plug prot.collar	1	
15	640289	Turn indicator control	1	
16	CM006908	Non return spring L=23	1	

Group	Electrical system
Code	06.08
Description	Main cable harness
Service	1



Pos.	Code	Description	Qty	Variants
1	643402	Cable harness	1	
2	583525	Bracket	6	
3	434541	Screw w/ flange M6x16	1	
4	581440	Fuse 30A	2	
4	CM080904	Mini fuse 5A	1	
4	CM080906	Mini fuse 10A	2	
4	CM080907	Mini fuse 15A	2	
4	CM080910	Mini fuse 30A	1	
5	582928	Plug connect diagnos ECU	1	
6	643026	Mass cable	1	
7	641204	Tri/lobed hexagonal self-tapping screw	2	
8	016406	Spring washer 6,4x11,8x1	2	
9	003056	Flat washer 6,4x12x1	2	
10	581142	Ambient temperature sensor	1	
11	294770	LV socket 12V	1	
12	565560	-	1	
13	565559	Luminous ring	1	
14	145298	Lock-strap L=180mm	4	
15	CM013203	Sheet edge spring	2	
16	145298	Lock-strap L=180mm	1	
17	231590	Elastic spring	6	
18	641605	Lock-strap	3	
19	CM006907	Pipes/cables retainer spring L=16	1	
20	CM006902	Non return spring	1	
21	639560	Spring for connector	1	
22	145298	Lock-strap L=180mm	5	
23	257134	Lock-strap L=277	11	
24	CM006903	Pipes/cables retainer spring	1	

Group	Electrical system
Code	06.08
Description	Main cable harness
Service	1



Pos.	Code	Description	Qty	Variants
25	642552	Spring	1	
26	CM006908	Non return spring L=23	1	