



PIAGGIO & C.s.p.a.



PIAGGIO & C.s.p.a.

SPARE PARTS CATALOGUE



Beverly 300 ie Tourer E3 2009

Chassis prefix: ZAPM28A00

Engine prefix: M28MM

Beverly 300

NCPL000U01

Index

Finished products.....	4
Alphanumeric index.....	5
Engine.....	10
Table 01.02 - Engine, assembly.....	10
Table 01.05 - Crankcase.....	11
Table 01.06 - Crankshaft.....	13
Table 01.07 - Cylinder-piston-wrist pin unit.....	14
Table 01.10 - Head unit - Valve.....	15
Table 01.11 - Rocking levers support unit.....	16
Table 01.12 - Cylinder head cover.....	17
Table 01.13 - Driving pulley.....	18
Table 01.14 - Driven pulley.....	19
Table 01.15 - Crankcase cover - Crankcase cooling.....	20
Table 01.18 - Oil pump.....	21
Table 01.19 - Cooler pump.....	22
Table 01.20 - Stater - Electric starter.....	23
Table 01.21 - Flywheel magneto.....	24
Table 01.23 - Flywheel magneto cover - Oil filter.....	25
Table 01.25 - Reduction unit.....	26
Table 01.36 - Throttle body - Injector - Union pipe.....	27
Table 01.42 - Silencer.....	28
Table 01.45 - Air filter.....	29
Frame - Plastic parts - Coachwork.....	30
Table 02.01 - Frame/bodywork.....	30
Table 02.25 - Stand/s.....	31
Table 02.26 - Front shield.....	32
Table 02.27 - Windshield - Glass.....	34
Table 02.30 - Front glove-box - Knee-guard panel.....	35
Table 02.31 - Central cover - Footrests.....	37
Table 02.32 - Side cover - Spoiler.....	39
Table 02.33 - Wheel huosing - Mudguard.....	41
Table 02.34 - Helmet huosing - Undersaddle.....	43
Table 02.37 - Rear cover - Splash guard.....	44
Table 02.38 - Plates - Emblems.....	45
Table 02.39 - Saddle/seats - Tool roll.....	46
Table 02.44 - Rear luggage rack.....	47
Table 02.45 - Driving mirror/s.....	48
Table 02.46 - Locks.....	49
Table 02.47 - Fuel tank.....	51
Table 02.53 - Supply system.....	52
Table 02.55 - Cooling system.....	53
Handlebars/Steering.....	55
Table 03.01 - Handlebars coverages.....	55



Table 03.02 - Meter combination - Cruscotto.....	57
Table 03.06 - Handlebars - Master cil.....	58
Suspensions - Wheels.....	59
Table 04.01 - Swinging arm.....	59
Table 04.02 - Fork/steering tube - Steering bearing unit.....	60
Table 04.03 - Fork's components (Kayaba).....	61
Table 04.04 - Fork's components (Escorts).....	62
Table 04.10 - Rear suspension - Shock absorber/s.....	63
Table 04.11 - Front wheel.....	64
Table 04.12 - Rear wheel.....	65
Braking system - Transmissions.....	66
Table 05.01 - Brakes pipes - Calipers.....	66
Table 05.03 - Transmissions.....	67
Electrical system.....	68
Table 06.01 - Selectors - Switches - Buttons.....	68
Table 06.03 - Front headlamps - Turn signal lamps.....	69
Table 06.04 - Rear headlamps - Turn signal lamps.....	70
Table 06.05 - Remote control switches - Battery - Horn.....	71
Table 06.06 - Voltage Regulators - Electronic Control Units (ecu) - H.T. Coil.....	72
Table 06.08 - Main cable harness.....	73





Finished products

Code	Validity
NCPL000U01	Vehicle colour: NCPL000U01[NCPL000U01]
NCPLBT6U01	Vehicle colour: Pearl White[566]
NCPLEU6U01	Vehicle colour: Light grey metallic[711/B]
NCPLRR6U01	Vehicle colour: Metallized Red[849/A]
NCPLXN6U01	Vehicle colour: Competition Black[98/A]



Code	No. table	Pos.	Code	No. table	Pos.	Code	No. table	Pos.
000097	01.21	10	031086	02.47	5	254485	06.04	7
000674	01.05	7	031088	02.01	4	257134	02.47	11
002440	02.25	17	031088	02.47	9	257134	05.01	7
002440	02.25	3	031088	06.03	4	257134	06.05	14
002440	04.01	20	031089	06.08	8	257614	02.30	8
002440	04.10	3	031117	02.01	15	258146	01.15	11
002440	04.10	4	031117	02.01	8	258146	01.45	4
003038	02.01	14	031120	02.44	6	258160	02.47	13
003038	02.01	9	063435	01.10	16	258249	02.26	18
003038	02.44	4	071633	02.34	9	258249	02.30	2
003054	06.04	11	071671	06.06	11	258249	02.31	4
003056	01.45	9	078307	02.37	3	258249	02.32	4
003056	02.01	6	078307	02.47	7	258249	02.33	16
006078	05.03	6	080341	06.06	10	258249	02.34	12
006416	04.01	11	090854	02.34	19	258249	02.34	6
006635	01.15	3	122637	01.21	2	258904	02.55	31
006647	04.10	12	125647	06.08	14	259166	01.45	16
006966	02.33	11	127927	05.01	6	259348	02.32	3
006966	05.03	4	140435	06.08	16	259348	02.46	25
008375	01.20	7	145298	01.42	16	259349	01.15	18
011109	04.02	7	145298	02.46	28	259349	02.30	21
012112	05.03	8	145298	02.53	7	259349	02.30	28
012138	05.03	12	145298	02.55	30	259349	02.31	18
012528	06.08	15	145298	03.06	20	259349	02.31	7
012532	06.01	8	145298	05.01	11	259349	02.46	22
012533	01.45	17	145298	06.04	12	259349	04.02	11
012533	01.45	8	145298	06.08	17	259349	06.05	4
012540	02.44	3	145298	06.08	5	259349	06.05	6
012543	03.06	3	164245	02.25	12	259349	06.05	8
012554	06.06	6	164634	03.02	3	259349	06.08	10
012789	04.10	6	168077	02.55	15	259372	02.32	6
013092	02.55	8	178790	03.06	4	259830	02.33	14
013763	02.37	12	181351	02.33	23	259830	02.55	4
013763	02.37	9	181746	06.04	5	259830	02.55	7
013776	04.10	15	190567	02.30	22	259832	02.47	3
013880	02.55	18	190568	02.26	22	260918	01.36	7
013880	06.08	7	191189	02.25	14	260918	01.45	14
014754	03.01	5	194423	04.10	7	265451	05.01	8
015014	06.06	17	195482	02.55	17	267115	03.01	3
015330	03.06	5	199190	06.04	4	267115	03.01	4
015578	04.10	20	217280	05.01	21	267115	06.04	10
015728	06.03	13	217280	06.08	18	268158	04.10	2
015728	06.03	9	219727	05.01	19	268304	02.47	6
015792	02.44	2	229892	03.02	4	268596	02.37	16
016404	02.37	13	230359	02.26	5	269755	01.25	13
016406	02.01	5	230359	02.26	9	270147	02.30	13
016406	06.03	5	230359	02.34	14	270723	02.34	10
016408	02.01	10	230872	02.26	11	270793	01.15	6
016408	02.01	13	230872	02.26	15	270793	02.31	12
016603	06.05	12	239388	01.05	10	270793	02.31	30
016627	04.10	5	239388	01.05	4	270793	02.32	10
016670	01.45	20	239388	01.15	2	270793	02.32	13
018536	06.01	10	252099	01.45	21	270793	03.01	11
018538	01.11	18	252420	02.30	7	270793	03.02	8
018575	01.05	16	252945	06.08	4	270793	06.08	9
018575	01.21	11	253937	02.46	8	271147	04.12	6
018575	01.21	3	254485	01.45	10	271434	03.06	19
018591	02.37	11	254485	02.30	18	271740	04.11	13
018623	05.03	5	254485	02.31	10	271807	04.01	19
018639	01.36	3	254485	02.31	5	271891	02.33	3
018640	01.45	7	254485	02.33	15	272426	02.25	8
020003	06.06	8	254485	02.33	4	272624	02.31	11
020008	04.10	19	254485	02.33	9	272750	04.01	8
020104	02.37	14	254485	02.34	3	272836	02.26	20
030074	05.01	18	254485	02.37	4	272836	02.30	3
030115	02.25	2	254485	02.55	13	272836	02.33	18
031086	02.33	10	254485	02.55	2	272836	02.34	7



Code	No. table	Pos.	Code	No. table	Pos.	Code	No. table	Pos.
272836	02.37	5	433232	01.14	16	497343	03.06	16
272836	02.55	12	434541	01.18	20	497419	03.02	2
272836	06.05	16	434541	06.05	19	497545	01.02	2
273288	02.55	9	434541	06.06	14	497546	01.02	3
273460	04.01	9	434541	06.06	16	56147R	04.11	6
273754	02.25	4	434885	01.13	9	56174R	04.10	1
274246	01.14	18	435629	01.10	2	561886	05.01	23
277916	01.05	21	436438	01.10	7	56269R	04.02	1
277916	01.07	9	436695	01.18	6	56340R	02.25	1
277916	01.18	25	436947	01.42	11	56359R	03.06	11
285536	01.23	17	463195	02.47	10	56360R	03.06	14
285846	01.10	10	478115	01.05	6	563728	04.10	8
287913	01.18	4	478115	01.07	10	56397R	04.11	8
288474	01.23	19	478184	01.07	11	56397R	04.12	4
289731	01.15	15	478985	01.15	4	56401R	04.11	1
289731	01.18	23	479515	01.21	7	564260	04.02	4
289731	05.01	9	479882	02.26	4	56443R	04.01	1
289731	06.06	2	479882	02.26	8	564448	04.11	11
290860	06.08	4	479986	01.18	27	564489	04.11	12
291017	06.05	20	479986	01.23	8	564611	04.01	18
292022	06.03	2	480853	01.10	3	564629	01.18	22
292022	06.04	9	482305	01.14	15	56479R	05.01	1
292507	06.08	4	483226	01.14	3	56479R	05.01	12
292723	06.03	3	483711	01.10	6	564878	04.01	12
292889	06.01	7	483767	01.05	19	564878	04.01	17
293154	02.34	8	483785	01.05	14	56489R	04.01	4
293845	06.06	12	483914	01.10	9	57311R	02.55	6
294131	06.04	2	483918	01.18	10	573918	06.06	3
294341	06.01	2	484034	01.05	11	575062	02.30	16
294770	02.34	15	484123	01.11	10	575249	02.31	6
295788	02.25	10	484739	01.11	1	575249	02.32	7
295789	02.25	11	484740	01.11	4	575249	02.33	2
296141	02.30	10	484819	01.11	2	575249	02.33	8
296456	02.39	2	484819	01.11	5	575249	02.37	2
297027	01.10	18	485047	01.05	24	575249	05.03	11
297027	01.10	22	485080	01.19	3	575249	06.04	6
297498	02.26	10	485655	01.05	18	575268	02.44	5
297498	02.26	12	485703	01.25	14	575357	02.01	2
297498	02.26	16	485868	01.18	14	575604	02.31	27
297498	02.30	11	485912	01.05	5	575605	02.31	25
297498	02.30	25	485912	01.25	5	575607	02.30	12
297498	02.31	29	486075	01.23	14	575610	02.30	19
297498	02.37	8	486081	01.05	13	575810	02.46	2
298581	02.46	7	486324	01.13	10	575819	02.30	17
298594	02.46	5	486324	01.14	19	576189	02.31	31
298731	02.46	3	486331	01.11	13	576376000C	02.31	23
298838	02.46	6	486343	01.11	7	576382000C	02.37	1
299689	02.31	24	486974	01.11	15	576542	02.53	4
299693	02.30	20	487211	01.25	7	576546	02.53	3
299972	02.46	10	487824	05.03	10	576626	02.31	22
299972	02.46	13	487833	01.11	14	576629	02.46	9
351782	02.55	10	487936	01.14	13	576793	02.34	17
411296	01.10	12	487989	01.12	7	576794	02.30	9
411311	01.05	3	497007	04.03	17	577005	02.30	14
414837	01.18	13	497011	04.03	5	577128	02.46	18
414837	01.20	2	497012	04.03	3	577129	02.46	14
414837	02.39	5	497013	04.03	4	577130	02.46	12
414838	01.11	19	497017	04.03	14	577131	02.46	15
414838	01.23	11	497018	04.03	15	577133	02.47	4
414838	01.45	22	497132	04.03	7	577321	02.37	7
430264	01.15	8	497184	04.03	1	577492	02.39	3
430585	01.14	9	497186	04.03	10	577599400C	02.34	4
431065	01.05	26	497187	04.03	13	577620	02.46	11
431089	01.14	8	497188	04.03	9	577620	02.46	16
431860	01.15	16	497189	04.03	11	577620	02.46	21
432142	01.05	27	497190	04.03	12	577816	02.46	4
432142	01.15	14	497343	03.06	13	577861	02.30	15



Code	No. table	Pos.	Code	No. table	Pos.	Code	No. table	Pos.
577896	02.01	11	597679	04.12	3	620025	02.26	1
577901	02.01	12	597774	04.01	14	62002500BT	02.26	1
58056R	06.01	1	597795	02.33	7	62002500DE	02.26	1
58057R	06.01	13	597893	04.01	13	62002500EU	02.26	1
58058R	06.01	3	597923	02.33	12	62002500RR	02.26	1
58086R	06.06	1	597979	04.10	17	62002500XN2	02.26	1
581134	03.02	5	597980	04.10	22	620415	02.46	17
581139	06.05	2	598421	03.01	7	620491	02.31	26
58115R	06.05	3	59842100DE	03.01	7	620672	02.55	14
581190	06.08	2	59842140BT	03.01	7	620737	02.55	5
581191	06.08	3	59842140DE	03.01	7	62075600C	02.34	11
58120R	06.06	4	59842140EU	03.01	7	621004	02.31	20
581412	02.34	16	59842140RR	03.01	7	62100400C	02.31	20
581424	06.08	6	59842140XN2	03.01	7	621089	02.33	1
58142R	01.20	1	598422	03.01	8	621126	01.15	17
581440	06.08	4	59842200DE	03.01	8	621365	02.55	16
58170R	02.55	11	59842240BT	03.01	8	62144800C	02.33	13
581767	06.06	15	59842240DE	03.01	8	621498	02.39	4
58184R	03.02	1	59842240EU	03.01	8	621507	02.31	28
581957	03.01	9	59842240RR	03.01	8	621669	02.30	24
582034	03.06	18	59842240XN2	03.01	8	62166900BT	02.30	24
582041	06.01	5	598794	02.33	6	62166900DE	02.30	24
582058	02.37	17	598839	05.03	3	62166900EU	02.30	24
582153	02.55	29	598919	05.01	3	62166900RR	02.30	24
582163	06.01	14	598920	05.01	15	62166900XN2	02.30	24
582298	02.25	5	599208	01.42	8	62167200C	02.30	5
582787	04.02	6	599348	03.06	1	621729	02.34	1
582850	02.25	6	599357	04.11	5	621923	02.27	7
582851	02.25	7	599412	03.01	1	622009	02.27	5
582951	06.01	4	59941200BT	03.01	1	622010	02.27	2
582988	06.01	12	59941200DE	03.01	1	622011	02.27	6
582990	02.46	19	59941200EU	03.01	1	622431	06.05	18
583236	06.06	5	59941200RR	03.01	1	62335800C	02.44	7
583255	03.06	8	59941200XN2	03.01	1	6235250095	02.44	1
583256	03.06	7	599413	03.01	2	623577	02.34	18
583332	06.04	8	59941300BT	03.01	2	623673	02.55	3
583575	06.01	15	59941300DE	03.01	2	623743	02.47	8
583745	06.05	10	59941300EU	03.01	2	623889	02.47	1
583752	06.01	9	59941300RR	03.01	2	623949	02.55	25
583787	04.02	8	59941300XN2	03.01	2	623952	02.53	5
584078	02.33	19	599619	02.27	4	623958	02.34	13
584079	02.33	20	599620	02.27	3	624188	06.06	7
584083	02.33	21	599867	04.10	11	624554	02.38	4
584084	02.33	22	6002330043	04.11	7	624597	02.55	19
584121	02.46	20	600268	04.03	6	624598	02.55	1
584166	06.03	6	600269	04.03	8	624812	01.45	18
584167	06.03	10	600270	04.03	16	624993	02.01	1
584332	06.03	12	600452	05.03	7	638534	02.46	29
584332	06.03	8	600475	03.06	12	638563	06.03	15
584332	06.04	3	600475	03.06	15	638733	06.05	1
584426	06.01	11	600478	03.06	13	638755	06.05	13
584477	06.03	11	600478	03.06	16	638792	06.08	19
584478	06.03	7	600532	05.01	14	638848	01.21	1
584589	03.01	12	600537	04.01	7	639110	06.06	1
584877	02.37	15	600608	04.04	5	639357	02.53	2
584884	02.37	10	600611	04.04	3	639542	06.01	6
597080	04.01	16	600612	04.04	6	639577	06.03	1
597081	04.01	15	600613	04.04	7	639632	01.42	15
597291	04.11	3	600615	04.04	12	639687	01.12	8
597335	04.12	2	600750	04.02	5	639734	01.20	3
597337	04.12	2	600872	04.02	2	639806	01.42	14
597374	04.01	2	600878	05.01	5	639843	06.06	13
597374	04.01	5	601031	04.11	9	640472	03.02	6
597418	05.01	22	601596	04.03	2	640485	01.10	14
597490	04.01	6	601923	04.11	10	640513	03.02	7
597528	04.10	9	601924	04.11	10	640517	02.53	1
597679	04.11	14	601988	04.11	3	641440	06.04	1



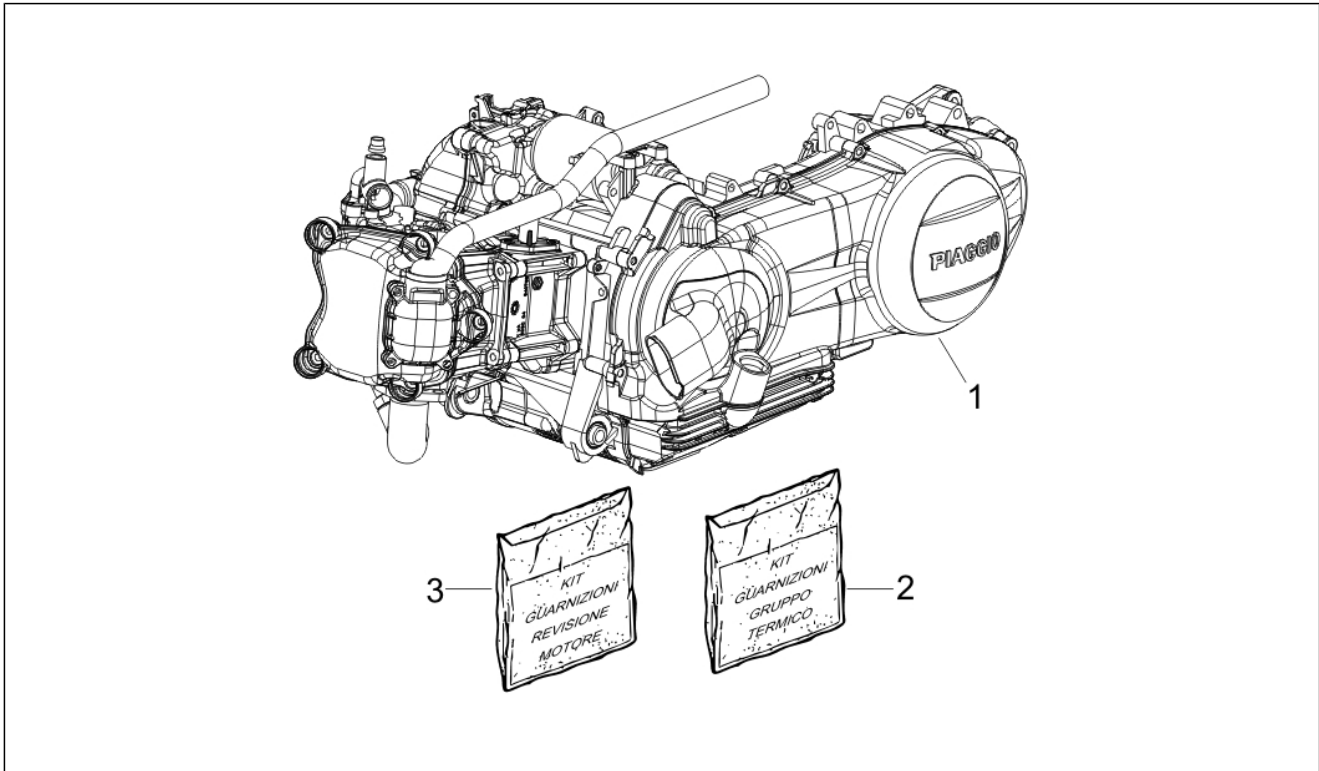
Code	No. table	Pos.	Code	No. table	Pos.	Code	No. table	Pos.
641484	03.02	7	656198	02.26	13	830061	01.36	6
641486	03.02	6	656442	02.55	23	830061	06.05	11
641527	06.08	1	656743	02.38	1	830249	01.12	3
641541	01.23	13	656744	02.38	2	832130	01.05	22
641551	01.23	9	656746	02.38	3	833308	01.11	9
641824	06.01	14	657106001A	02.39	1	833669	01.14	2
641825	06.01	2	65710600EL	02.39	1	833673	01.14	12
646519	04.04	11	666295	04.11	10	833674	01.14	11
646520	04.04	4	666317	04.12	2	833701	01.05	8
646521	04.04	2	709047	02.37	6	833722	01.18	5
646522	04.04	1	709047	04.10	16	833989	01.13	11
646523	04.04	10	709047	05.01	16	834044	01.14	10
646525	04.04	9	709047	05.01	4	834187	01.42	9
646527	04.04	8	709532	01.36	4	834266	01.15	7
646829	03.06	12	709646	04.10	21	834951	06.05	17
646829	03.06	15	82518R	01.14	4	840193	01.13	6
647078	05.01	13	82545R	04.10	13	840332	01.05	2
647078	05.01	2	82580R	01.23	13	840344	01.18	12
647472	02.25	9	825952	01.18	9	840504	01.23	12
647595	02.25	13	826165	01.23	16	840507	01.23	21
647668	04.11	10	826298	04.10	14	840533	01.13	8
647669	04.12	2	82635R	01.23	20	841130	01.19	4
649417	05.01	17	826388	01.42	2	841379	01.13	7
649537	04.11		826396	01.11	17	841774	01.14	7
649548	04.11		82649R	01.18	15	841782	01.42	7
649614	04.02	10	82650R	01.18	18	841851	01.13	5
649615	04.02	9	82659R	01.25	3	842090	01.15	9
649690	02.39	6	827085	01.05	23	842093	01.15	10
649857	04.12	1	82723R	01.18	7	842204	01.13	3
649910	04.11	2	82737R	01.20	4	842360	01.10	11
649911	04.11	4	82753R	01.14	5	842385	01.21	9
650075	04.02	3	82782R	01.18	11	842389	01.23	6
650339	05.03	1	827831	01.45	23	842390	01.19	9
650541	03.06	9	82783R	01.18	8	842595	01.23	3
650542	03.06	10	82789R	01.42	3	842703	01.20	5
650934	04.11	10	82817R	01.11	3	842908	01.42	5
650935	04.12	2	82817R	01.11	6	843028	01.13	4
652939	02.30	1	828210	06.06	9	843364	01.18	26
65293900BT	02.30	1	82831R	01.10	20	843568	01.23	18
65293900DE	02.30	1	828421	01.12	5	844049	01.14	17
65293900EU	02.30	1	828480	01.10	8	844094	01.12	9
65293900RR	02.30	1	828653	01.12	6	844160	01.10	13
65293900XN2	02.30	1	828662	01.19	2	844160	01.23	10
653586	02.26	23	828717	01.14	6	844483	04.10	18
653588	02.33	5	82878R	01.05	9	844582	01.05	12
65358800BT	02.33	5	82881R	01.14	1	844669	01.25	8
65358800DE	02.33	5	828961	05.01	20	844730	01.23	2
65358800EU	02.33	5	82897R	01.23	5	844759	01.23	4
65358800RR	02.33	5	829040	01.23	7	8447595	01.23	4
65358800XN2	02.33	5	829139	01.11	16	844927	01.42	6
653773	02.26	13	829206	01.25	2	844964	01.15	13
654021	02.26	21	829258	01.45	3	845605	01.10	17
654465	02.46	1	829259	01.45	2	845753	01.10	19
655099	02.26	14	829326	01.13	12	845861	01.05	25
65509900BT	02.26	14	82948R	01.18	1	846096	01.18	21
65509900DE	02.26	14	82952R	01.21	8	846098	01.18	24
65509900EU	02.26	14	829534	01.12	1	847116	01.18	17
65509900RR	02.26	14	829536	01.12	4	847201	01.42	18
65509900XN2	02.26	14	829543	01.45	11	847233	01.05	16
655101	02.26	6	829593	01.18	3	847233	01.21	3
655102	02.26	7	829661	01.05	17	847516	01.18	16
655104	02.26	2	830015	01.45	12	847679	01.21	6
655105	02.26	3	830056	01.45	19	847718	01.19	7
655179	02.27	1	830056	01.45	6	847881	01.36	2
655553001A	02.39	1	830056	02.34	5	847928	01.18	19
65555300EL	02.39	1	830057	01.45	5	847929	01.18	2
655554	03.06	2	830061	01.05	20	847931	01.25	9





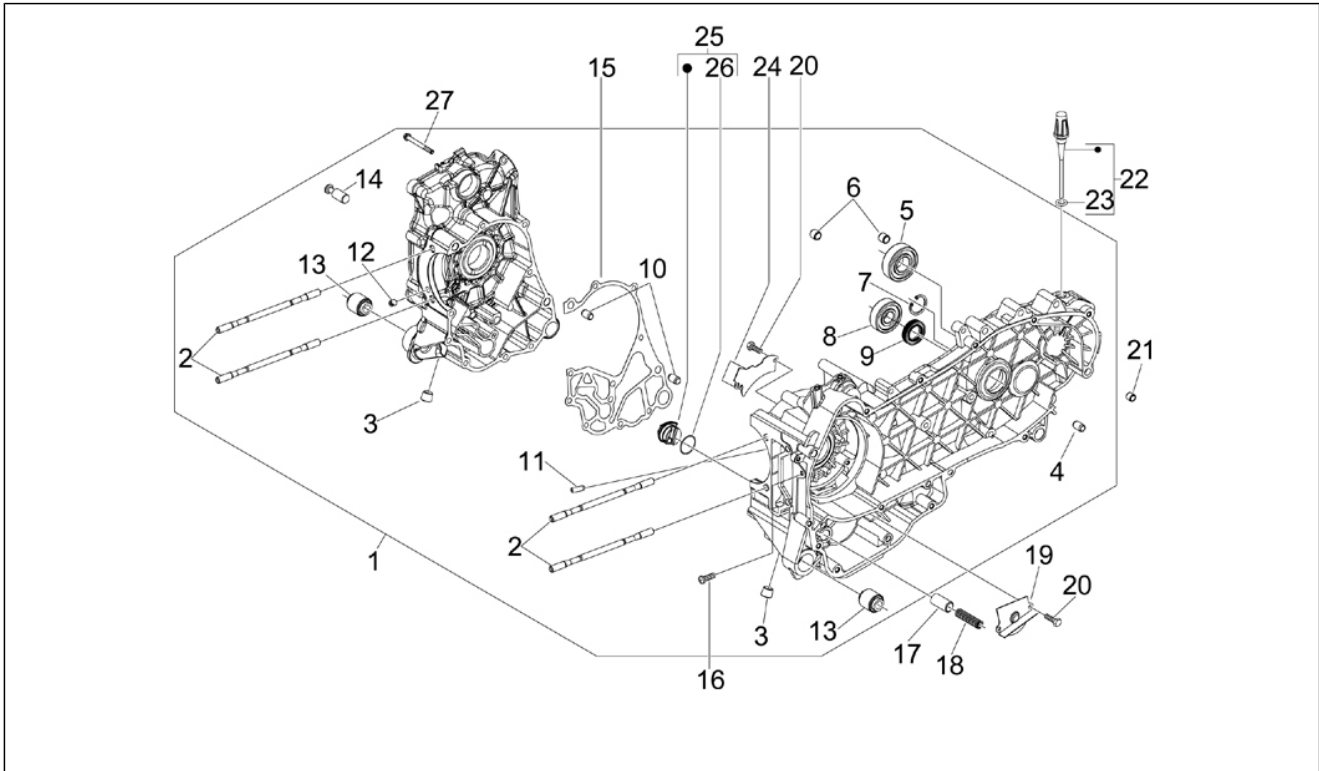
Code	No. table	Pos.	Code	No. table	Pos.	Code	No. table	Pos.
848039	04.10	10	CM001922	01.19	5	CM067801	04.01	3
848168	01.10	21	CM001922	02.55	27	CM067803	04.01	10
8481875	01.25	1	CM002910	01.45	15	CM068301	05.01	1
8483785	01.23	1	CM006303	02.30	23	CM068301	05.01	12
848452	01.42	10	CM006903	02.55	28	CM071814	06.05	15
848724	01.20	6	CM006904	01.12	12	CM071904	02.45	2
848864	01.45	13	CM006904	01.45	24	CM071905	02.45	3
849480	01.13	2	CM006905	02.53	6	CM071906	02.45	1
8494905	01.21	5	CM006905	05.01	10	CM079723	03.06	6
8714485	01.15	1	CM006906	06.08	12	CM081702	01.36	1
871458	01.15	5	CM006907	06.08	13	CM144408	01.13	1
871805	01.45	1	CM007015	02.55	20	CM155101	01.15	12
8722515	01.14	14	CM008901	02.31	14	CM1583075	01.02	1
872635	01.12	2	CM008902	02.31	13	CM162201	01.25	8
872864	01.10	1	CM011101	02.31	15	CM174901	02.01	3
8729755001	01.06	1	CM011901	02.47	12	CM174902	02.01	7
8729755002	01.06	1	CM012001	02.30	26			
872999	01.10	5	CM012001000C	02.30	26			
873009	01.10	4	CM012002	02.30	27			
873034	01.21	4	CM012002000C	02.30	27			
8732885	01.36	5	CM012803	05.03	13			
873351	01.25	4	CM012804	02.46	26			
873450	01.42	13	CM012808	02.46	27			
8738755	01.25	12	CM014203000C	02.31	2			
873980	01.25	6	CM014204000C	02.31	1			
8747940001	01.05	1	CM014401000C	02.31	9			
8747940002	01.05	1	CM014402000C	02.31	8			
8749365	01.25	11	CM014601000C	02.31	17			
8749385	01.25	10	CM014603000C	02.31	16			
874958	01.07	3	CM016901000C	02.32	8			
874960	01.07	4	CM016902000C	02.32	11			
875005	01.07	7	CM017101000C	02.32	9			
875096	01.07	6	CM017102000C	02.32	12			
875111	01.05	15	CM017403	06.03	14			
875112	01.07	8	CM017409	03.01	6			
875113	01.07	8	CM017409	06.05	5			
875114	01.07	8	CM017409	06.05	7			
8759585	01.11	8	CM017409	06.05	9			
876367	01.07	5	CM017409	06.08	11			
876457	01.07	1	CM017410	01.15	19			
8764580001	01.07	2	CM017410	02.26	17			
8764580002	01.07	2	CM017410	02.26	19			
8764580003	01.07	2	CM017410	02.30	4			
8764580004	01.07	2	CM017410	02.30	6			
876943	01.10	15	CM017410	02.31	19			
877285	01.05	2	CM017410	02.31	3			
877289	01.21	6	CM017410	02.32	5			
877308	01.11	12	CM017410	02.33	17			
877309	01.11	9	CM017410	02.34	2			
877310	01.11	11	CM017410	02.46	23			
877432	01.10	11	CM017410	04.02	12			
877528	01.19	1	CM017418	03.01	10			
8777655	01.42	1	CM023704	02.46	24			
878330	01.10	1	CM024601	02.32	1			
878330	01.12	1	CM02460100BT	02.32	1			
8787015001	01.05	1	CM02460100DE	02.32	1			
8787015002	01.05	1	CM02460100EU	02.32	1			
8798315	01.23	1	CM02460100RR	02.32	1			
AP8117266	01.42	4	CM02460100XN2	02.32	1			
AP8119925	01.42	12	CM024602	02.32	2			
CM001904	01.12	10	CM02460200BT	02.32	2			
CM001904	01.12	11	CM02460200DE	02.32	2			
CM001904	01.19	6	CM02460200EU	02.32	2			
CM001904	01.19	8	CM02460200RR	02.32	2			
CM001904	02.55	22	CM02460200XN2	02.32	2			
CM001914	02.55	21	CM025711	02.47	2			
CM001915	02.55	24	CM061304	04.02	3			

Group	Engine
Code	01.02
Description	Engine, assembly
Service	1



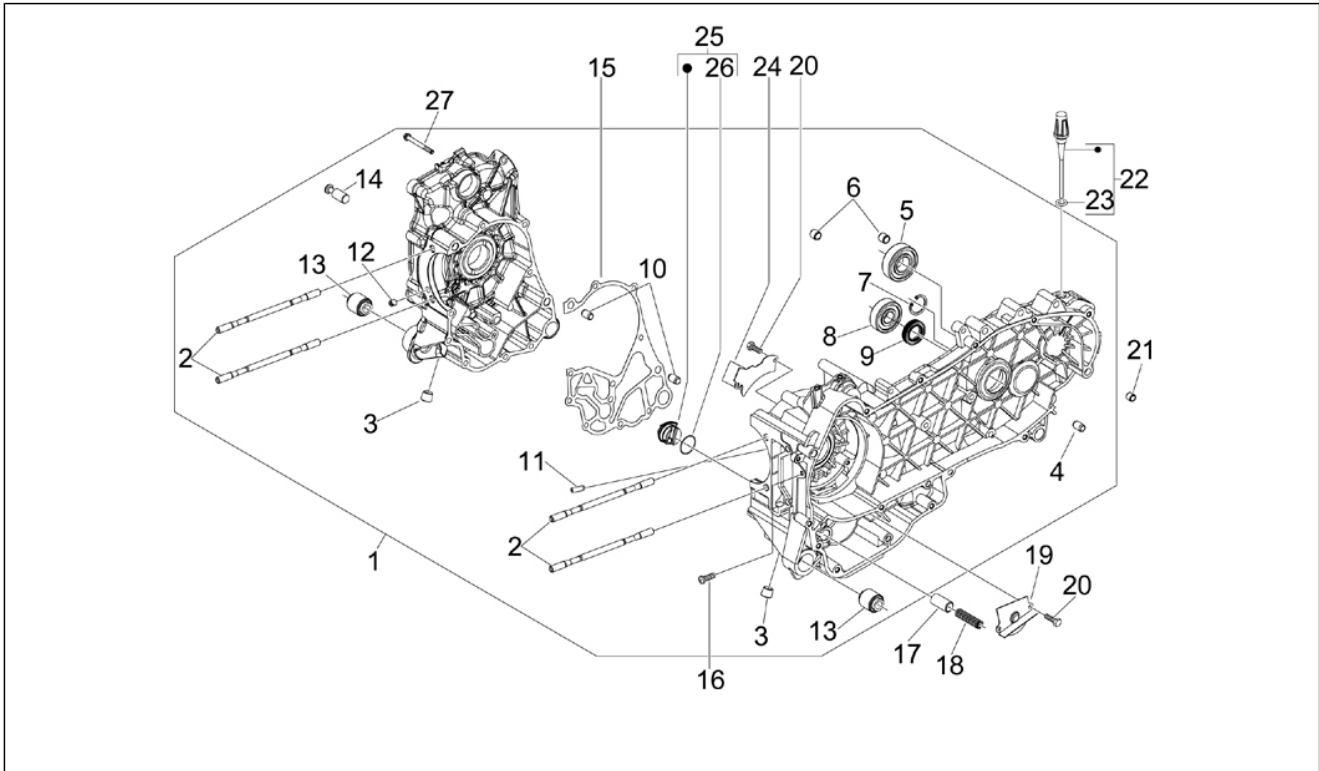
Pos.	Code	Description	Qty	Variants
1	CM1583075	***ENG.300 4T/4V E3 BEVERLY TOURER R.L.	1	
2	497545	Cylinder gasket kit	1	
3	497546	Engine set gasket	1	

Group	Engine
Code	01.05
Description	Crankcase
Service	1



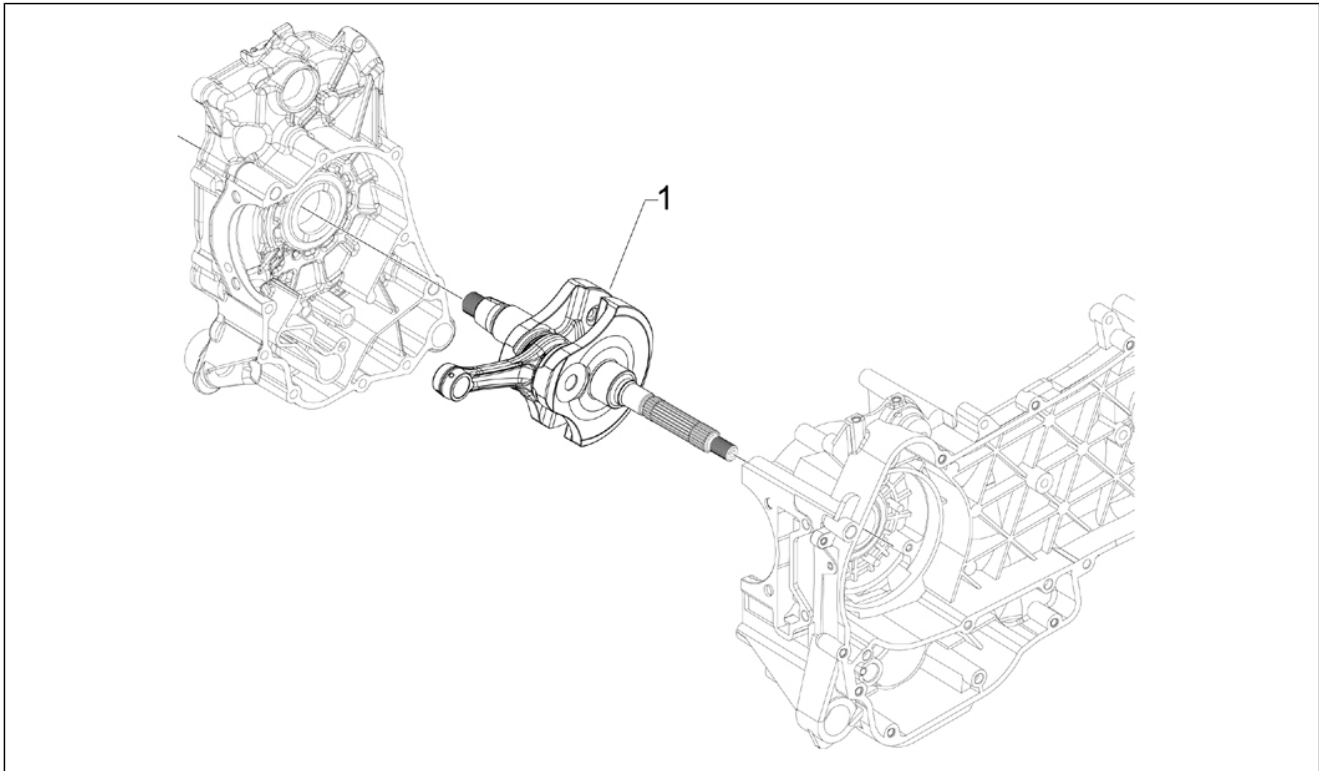
Pos.	Code	Description	Qty	Variants
1	8747940001	Crankshaft cpl.,cat.2	1	
1	8747940002	Crankshaft cpl.,cat.1	1	
1	8787015001	Carter motore cpl. Cat.1	1	
1	8787015002	Carter motore cpl. Cat.2	1	
2	840332	Stud bolt	4	
2	877285	Stud bolt	4	
3	411311	Plug	2	
4	239388	Pin 6,5x9,5x15	2	
5	485912	Radial ball bearing 15x42x13	2	
6	478115	Locating dowel $\varnothing 11 \times \varnothing 8,1 \times 10$	2	
7	000674	Circlip 25x26.9x1.2	1	
8	833701	Radial ball bearing 20x47x14	1	
9	82878R	Gasket ring 20-32-7	1	
10	239388	Pin 6,5x9,5x15	2	
11	484034	Nozzle	1	
12	844582	Nozzle D 1.1	1	
13	486081	Silent-block	2	
14	483785	Springs fixing pin	1	
15	875111	Gasket	1	
16	018575	Screw M5x10	1	
16	847233	screw	1	
17	829661	Oil pressure valve	1	
18	485655	Spring	1	
19	483767	Lower oil bulkhead	1	
20	830061	Screw w/ flange M5x16	4	
21	277916	Locating dowel	1	
22	832130	Complete oil level dipstick	1	
23	827085	Gasket ring 14,43x9,19x2,62	1	

Group	Engine
Code	01.05
Description	Crankcase
Service	1



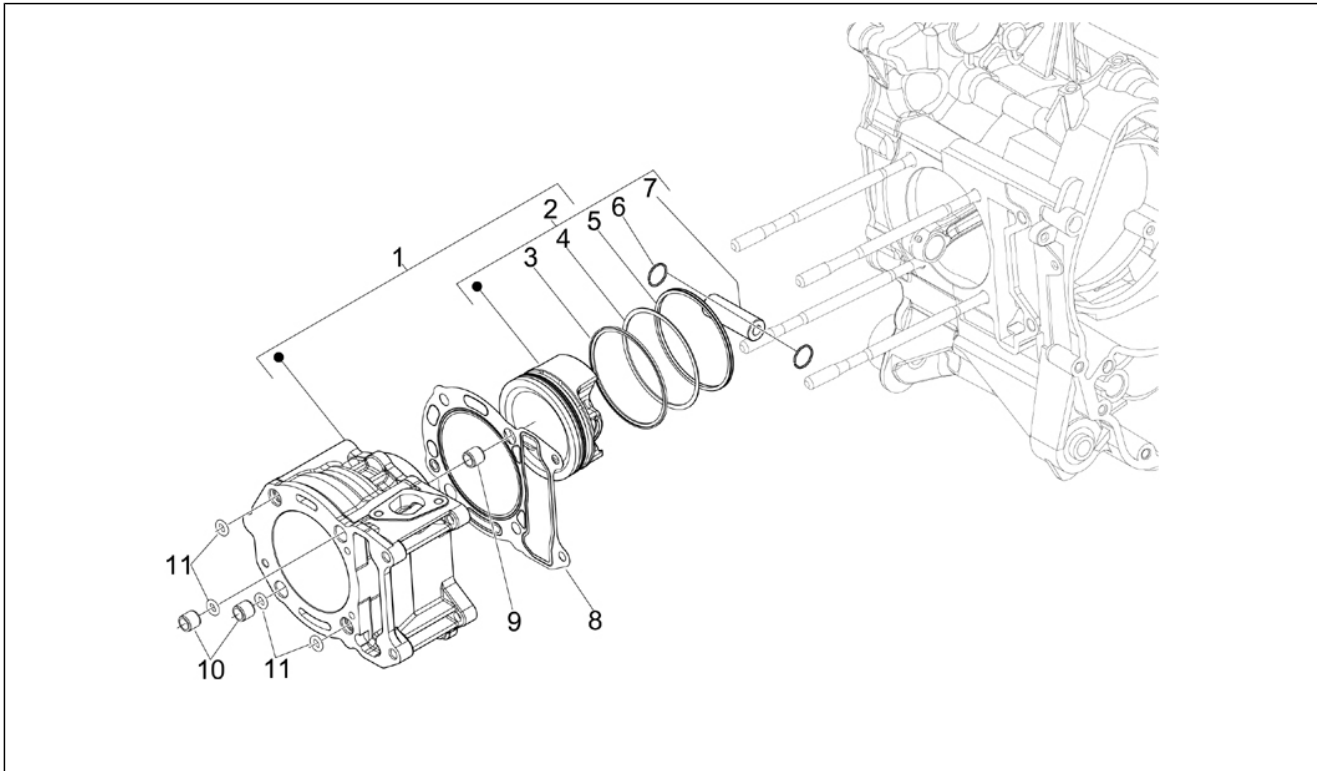
Pos.	Code	Description	Qty	Variants
24	485047	Upper oil bulkhead	1	
25	845861	Filter door insert	1	
26	431065	Gasket	1	
27	432142	screw M6x60	10	

Group	Engine
Code	01.06
Description	Crankshaft
Service	1



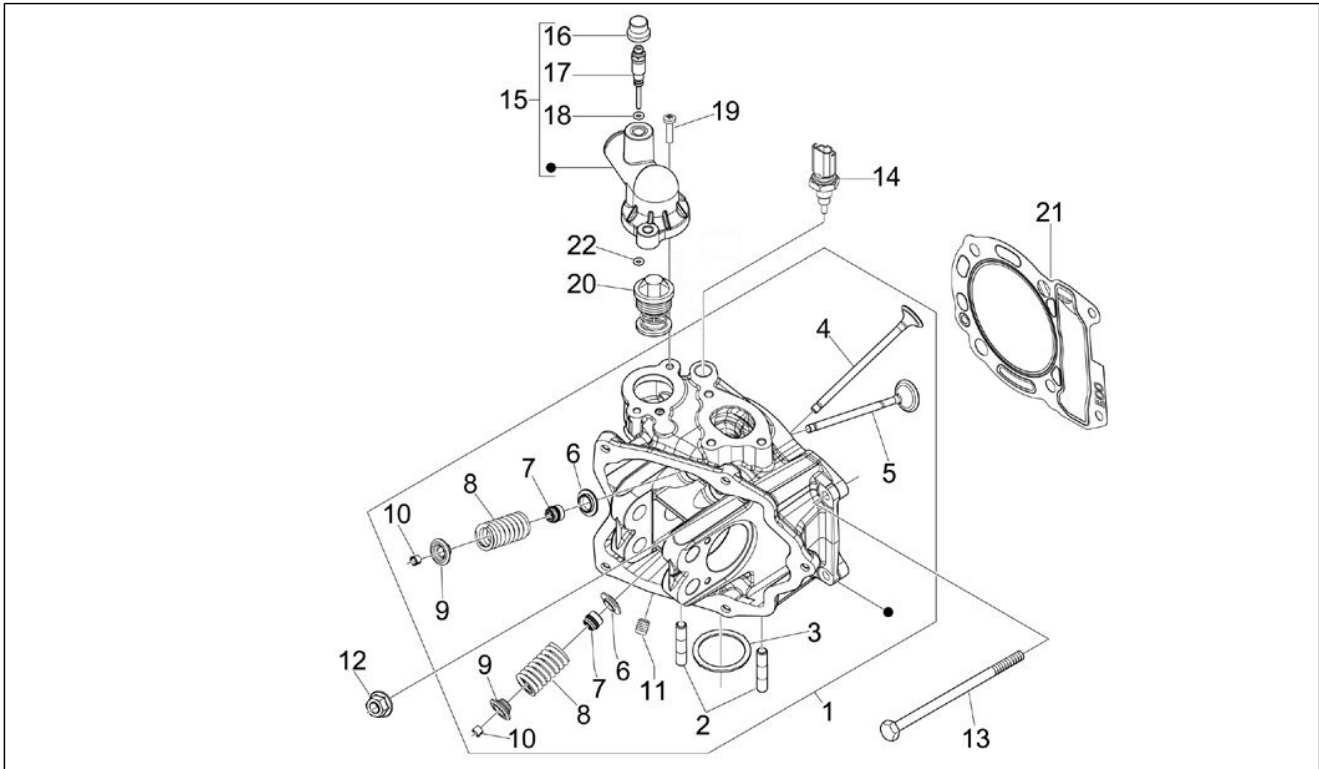
Pos.	Code	Description	Qty	Variants
1	8729755001	Crankshaft assembly Cat.1	1	
1	8729755002	Crankshaft assembly Cat.2	1	

Group	Engine
Code	01.07
Description	Cylinder-piston-wrist pin unit
Service	1



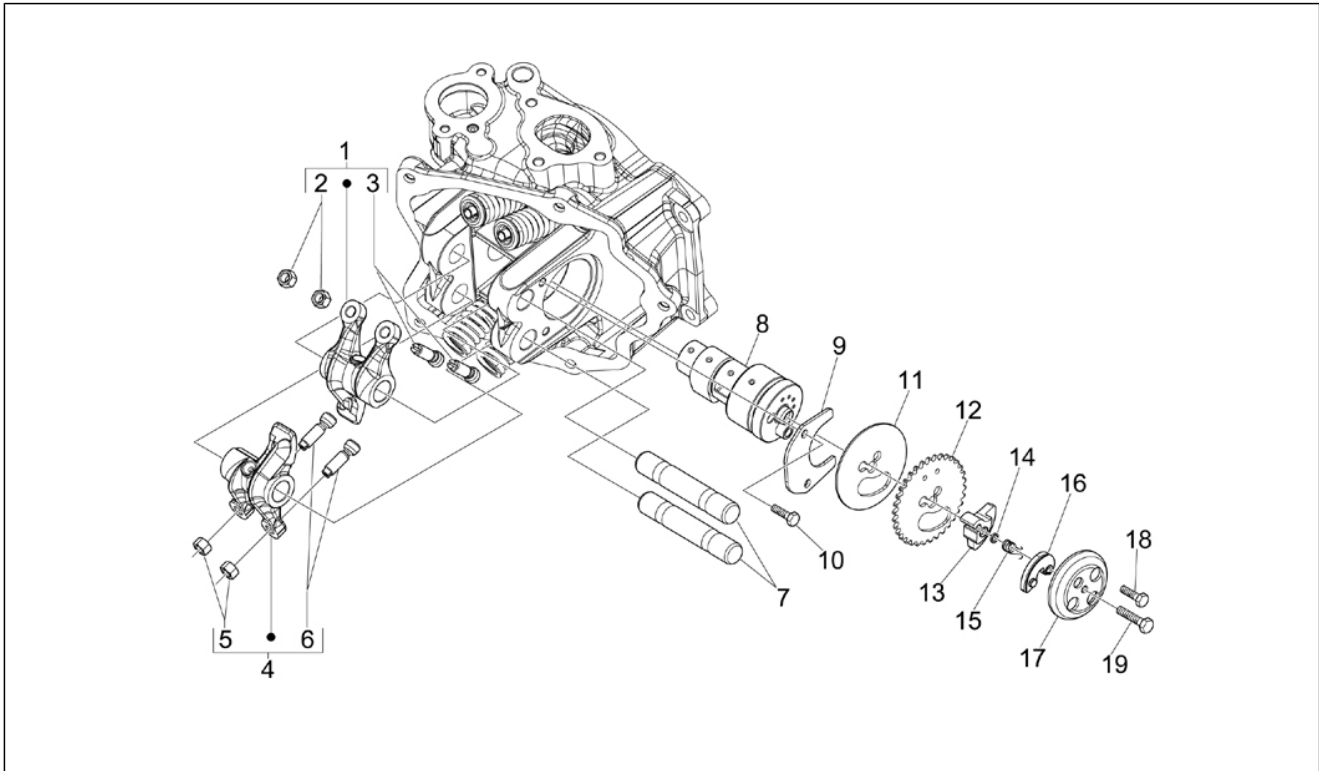
Pos.	Code	Description	Qty	Variants
1	876457	Cyl.pist.-wrist pin assy unit	1	
2	8764580001	Piston + piston pin Cat.1	1	
2	8764580002	Piston + piston pin Cat.2	1	
2	8764580003	Piston + piston pin Cat.3	1	
2	8764580004	Piston + piston pin Cat.4	1	
3	874958	Compression ring \varnothing 75x1,5	1	
4	874960	Oil scraper ring \varnothing 75x1,5	1	
5	876367	Oil scraper ring \varnothing 75x2,5	1	
6	875096	Snap ring	2	
7	875005	Piston pin	1	
8	875112	Cylinder base gasket 0,4 mm	1	
8	875113	Cylinder base gasket 0,6 mm	1	
8	875114	Cylinder base gasket 0,8 mm	1	
9	277916	Locating dowel	2	
10	478115	Locating dowel \varnothing 11x \varnothing 8,1x10	2	
11	478184	O-ring	4	

Group	Engine
Code	01.10
Description	Head unit - Valve
Service	1



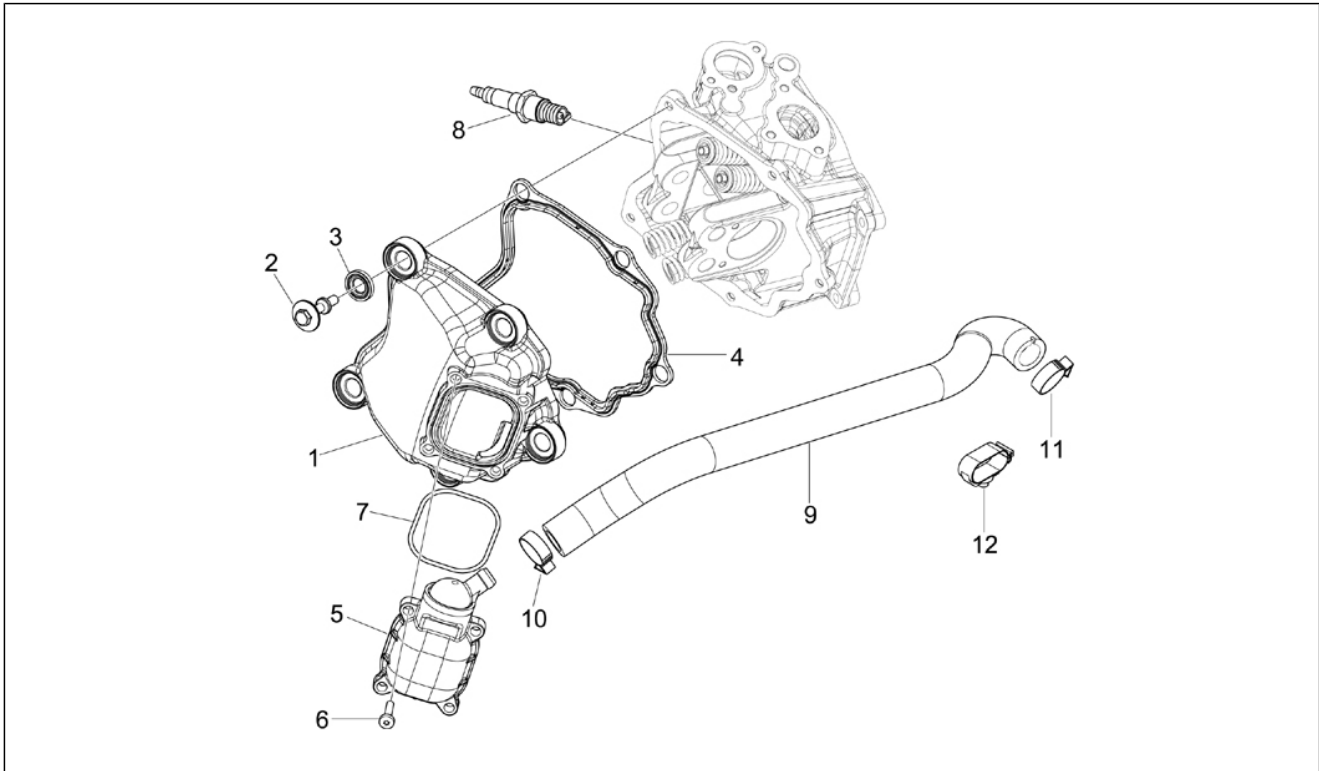
Pos.	Code	Description	Qty	Variants
1	872864	Cylinder head assy.	1	
1	878330	Cylinder head assy.	1	
2	435629	Stud bolt M7	2	
3	480853	Exhaust pipe gasket	1	
4	873009	Exhaust valve	2	
5	872999	Intake valve	2	
6	483711	Lower cap	4	
7	436438	Valve gasket ring	4	
8	828480	Spring	4	
9	483914	Upper cap	4	
10	285846	Valve half-cone	8	
11	842360	Plug M6x10	1	
11	877432	Plug	1	
12	411296	Nut M8x1,25	4	
13	844160	screw	2	
14	640485	Temperature gauge	1	
15	876943	Thermostat cover	1	
16	063435	Bleed valve cap	1	
17	845605	Bleed screw	1	
18	297027	Gasket	1	
19	845753	Hex socket screw M5x20	2	
20	82831R	Thermostat	1	
21	848168	Cylinder head gasket 0,3mm	1	
22	297027	Gasket	1	

Group	Engine
Code	01.11
Description	Rocking levers support unit
Service	1



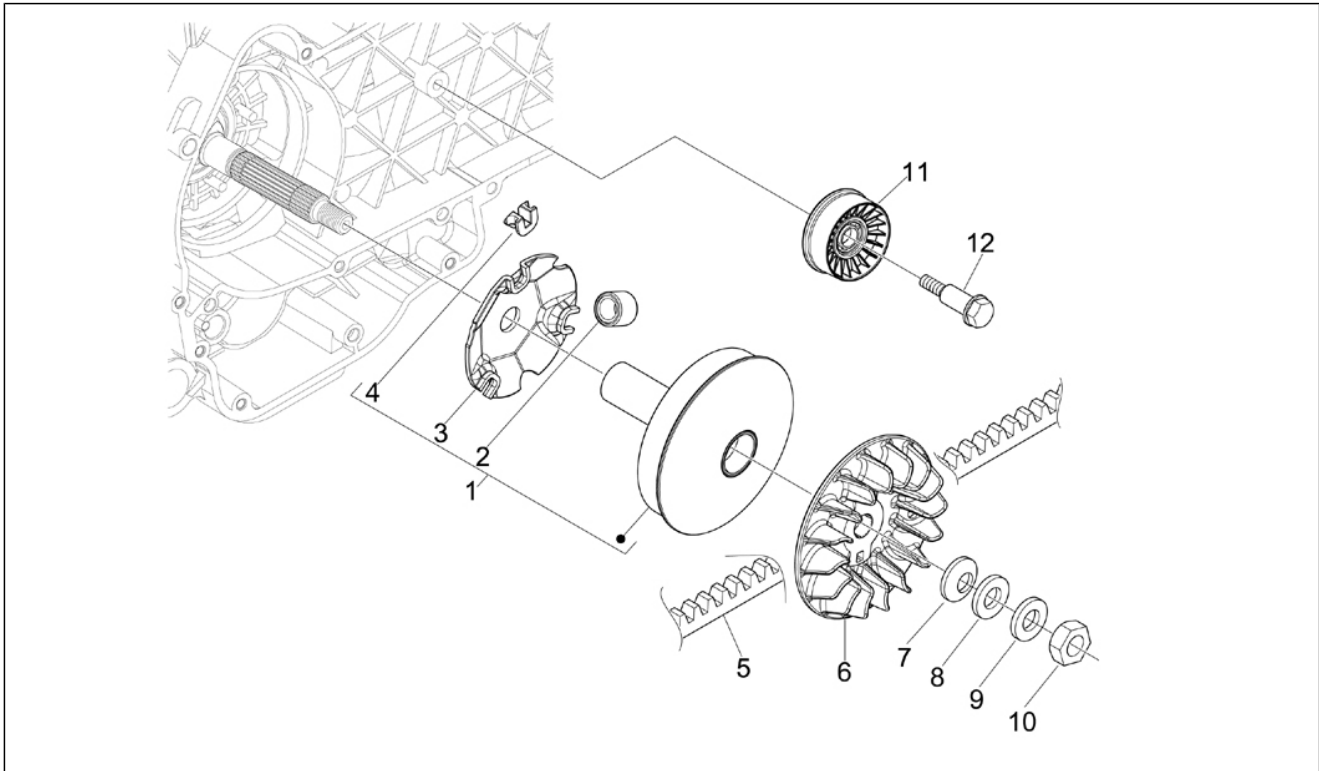
Pos.	Code	Description	Qty	Variants
1	484739	Rocker arm inlet	1	
2	484819	Nut	2	
3	82817R	Adjuster screw	2	
4	484740	Rocker arm exhaust	1	
5	484819	Nut	2	
6	82817R	Adjuster screw	2	
7	486343	Rocker arms axis	2	
8	8759585	Camshaft axle with U.P.	1	
9	833308	Camshaft plate	1	
9	877309	Camshaft plate	1	
10	484123	Screw w/ flange	2	
11	877310	Washer	1	
12	877308	Timing system gear	1	
13	486331	Decompressor counterweight	1	
14	487833	Gasket	1	
15	486974	Spring	1	
16	829139	Decompression counterweight	1	
17	826396	Decompression bell	1	
18	018538	Hex socket screw M5x30	1	
19	414838	screw M6x35	1	

Group	Engine
Code	01.12
Description	Cylinder head cover
Service	1



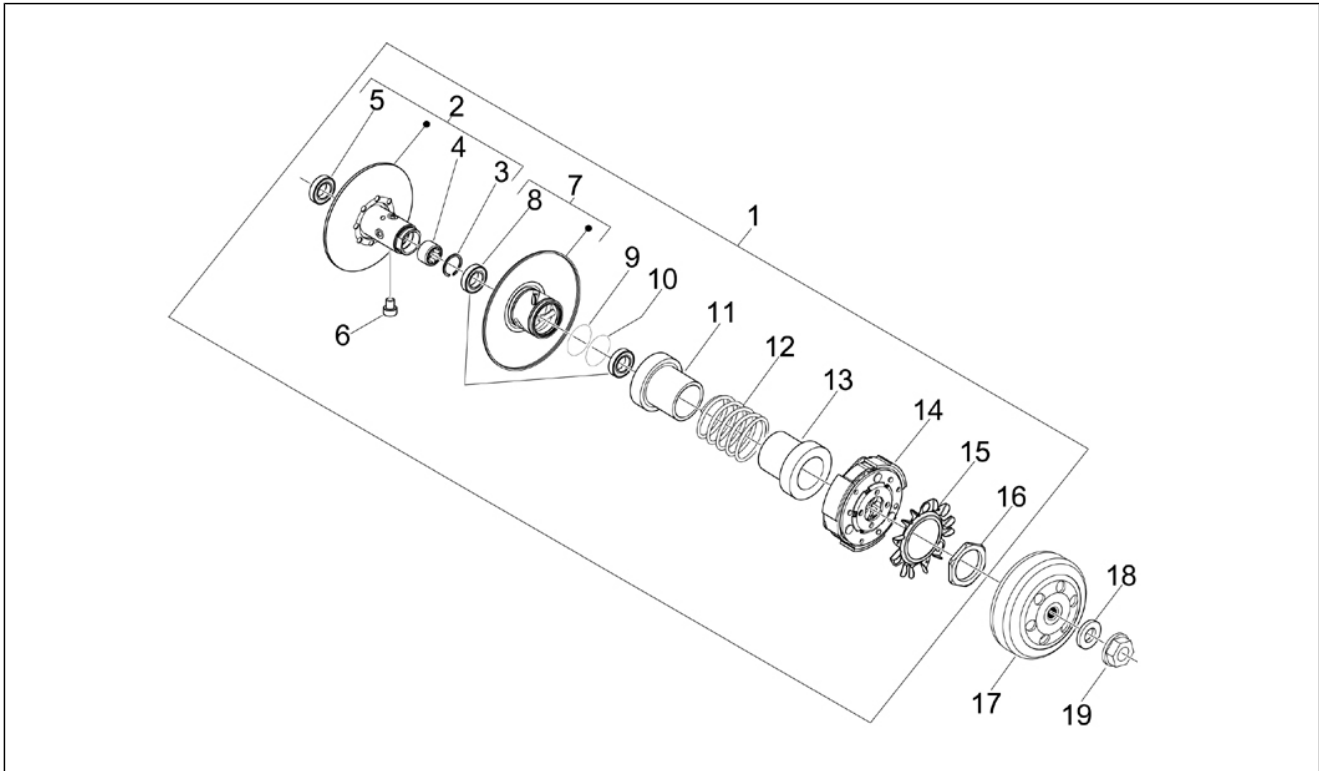
Pos.	Code	Description	Qty	Variants
1	829534	Head cover	1	
1	878330	Cylinder head assy.	1	
2	872635	Special screw	5	
3	830249	Damper drift	5	
4	829536	Head cover gasket	1	
5	828421	Oil breather valve	1	
6	828653	screw	4	
7	487989	Gasket	1	
8	639687	Spark plug CR8EKB	1	
9	844094	Engine oil breather pipe	1	
10	CM001904	Hose clamp	1	
11	CM001904	Hose clamp	1	
12	CM006904	Non return spring l=27	1	

Group	Engine
Code	01.13
Description	Driving pulley
Service	1



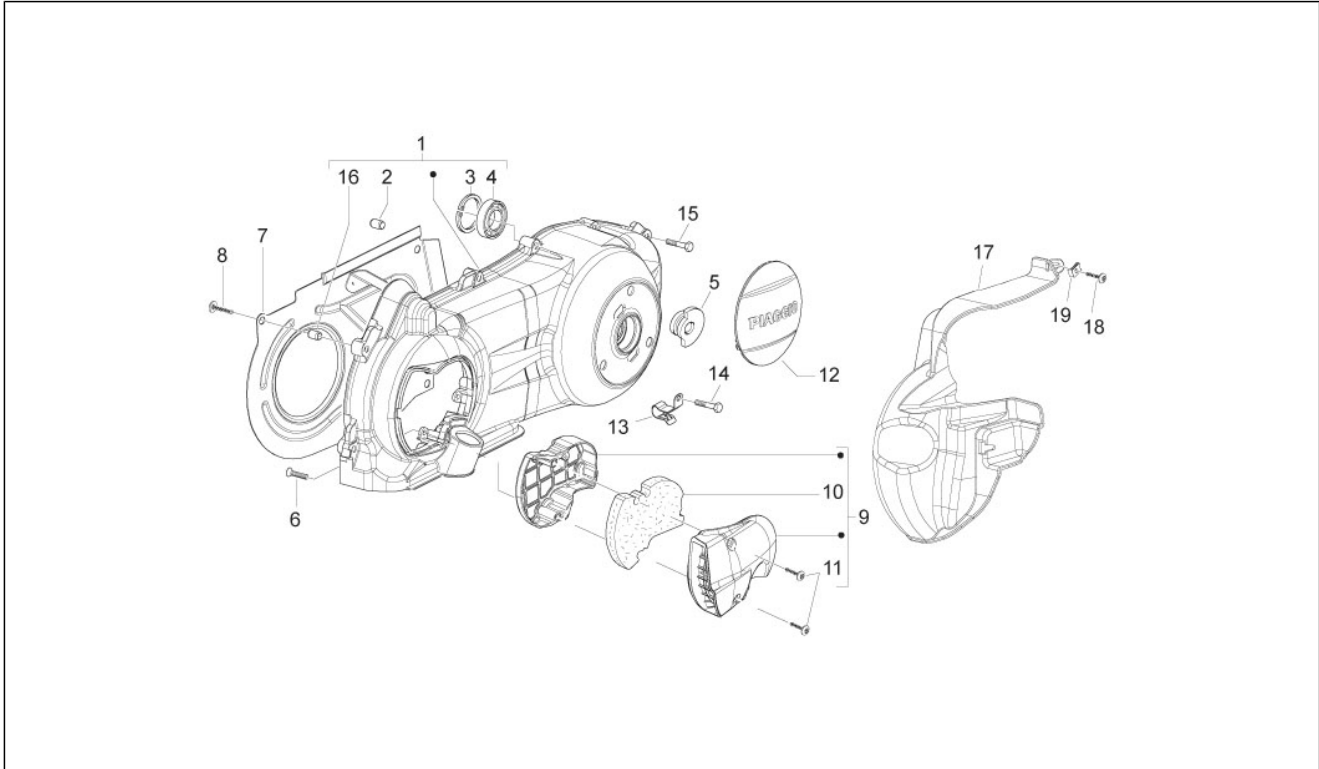
Pos.	Code	Description	Qty	Variants
1	CM144408	Complete roller housing	1	
2	849480	Pin roller	6	
3	842204	Roller contrast	1	
4	843028	Sliding block	3	
5	841851	V-belt	1	
6	840193	Fixed pulley	1	
7	841379	Belleville spring 0,5x35x17	1	
8	840533	Flat washer 12.1x36x2	1	
9	434885	Plain washer 17x32x1	1	
10	486324	Nut M12x1.25	1	
11	833989	Toothed pulley	1	
12	829326	Special screw	1	

Group	Engine
Code	01.14
Description	Driven pulley
Service	1



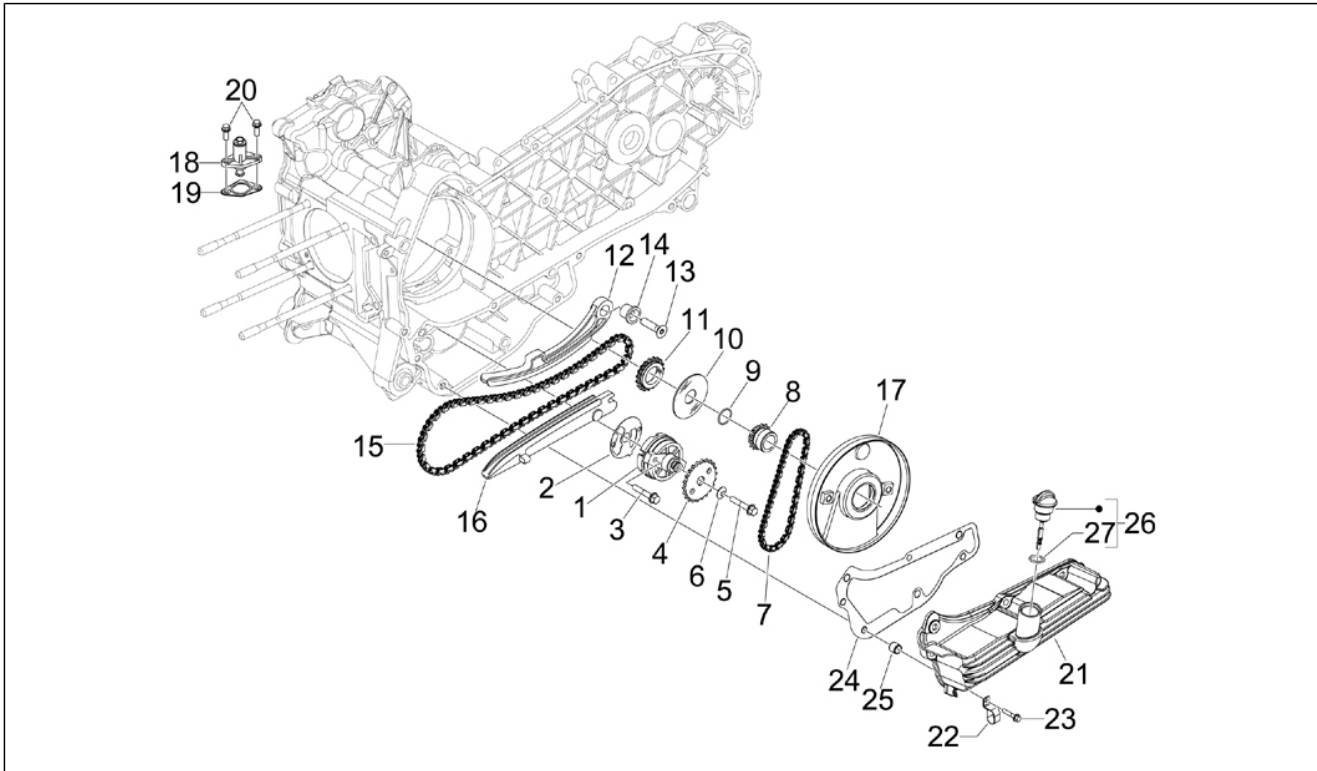
Pos.	Code	Description	Qty	Variants
1	82881R	Secondary pulley	1	
2	833669	Sec. fixed sheave, complete	1	
3	483226	Snap ring	1	
4	82518R	Roller cage 20x29x18	1	
5	82753R	Bearing 17x30x7	1	
6	828717	Guide pin L=12,5	4	
7	841774	Sec. sliding sheave, complete	1	
8	431089	Gasket ring	2	
9	430585	Gasket	1	
10	834044	O-ring	1	
11	833674	Cup	1	
12	833673	Variator spring	1	
13	487936	Clutch side cap	1	
14	8722515	Centrifugal clutch assy	1	
15	482305	Fan	1	
16	433232	Ring nut	1	
17	844049	Clutch drum	1	
18	274246	Flat washer 22x12,1x1	1	
19	486324	Nut M12x1.25	1	

Group	Engine
Code	01.15
Description	Crankcase cover - Crankcase cooling
Service	1



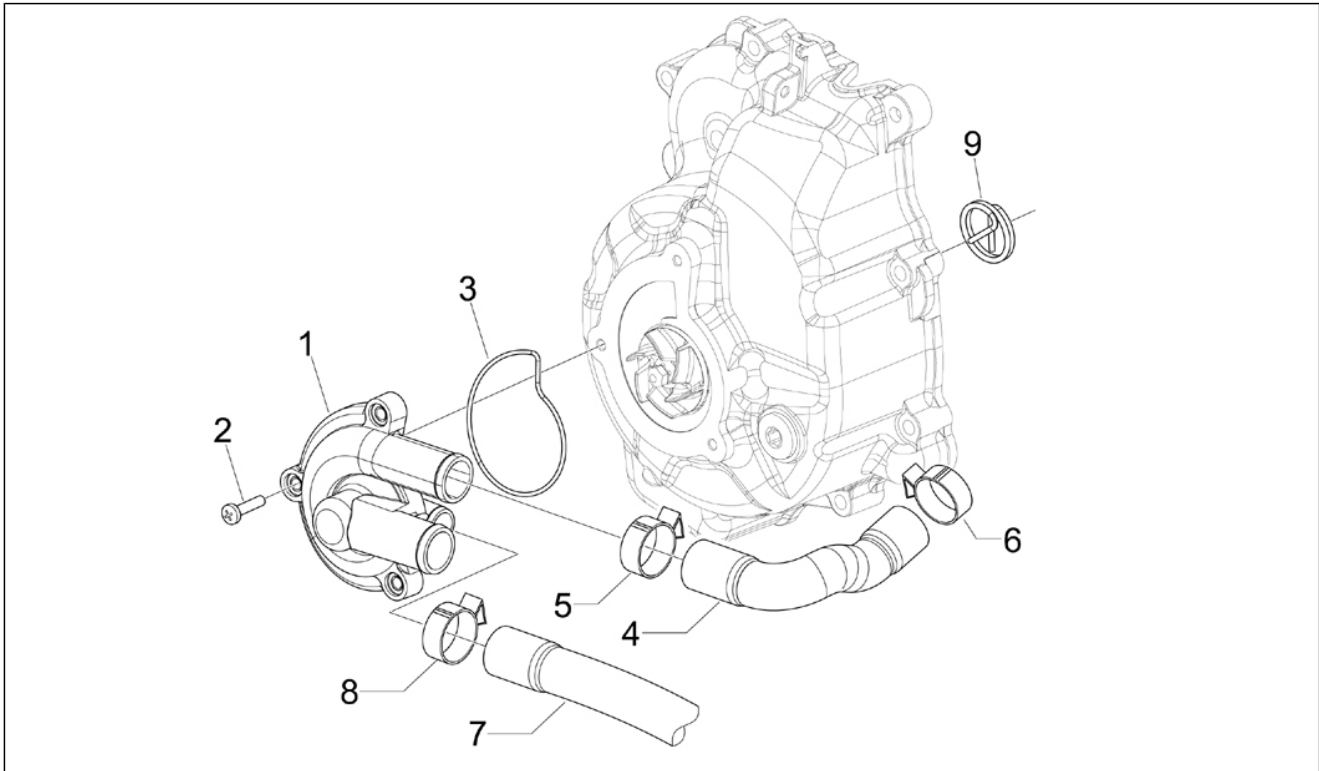
Pos.	Code	Description	Qty	Variants
1	8714485	Variator cover	1	
2	239388	Pin 6,5x9,5x15	2	
3	006635	Snap ring	1	
4	478985	Bearing	1	
5	871458	Mounting drift	3	
6	270793	TBCIC Screw 3,8x16	3	
7	834266	Air deflector	1	
8	430264	Self-tapping screw	1	
9	842090	Cooling Cover	1	
10	842093	Filtering element	1	
11	258146	Self-tap screw M3x20	2	
12	CM155101	Plug	1	
13	844964	Hose clamp	1	
14	432142	screw M6x60	1	
15	289731	Screw w/ flange M6x30	8	
16	431860	Bush Ø8xØ12x8	1	
17	621126	pipe	1	
18	259349	Screw M4,2x13	1	
19	CM017410	Spring plate	1	

Group	Engine
Code	01.18
Description	Oil pump
Service	1



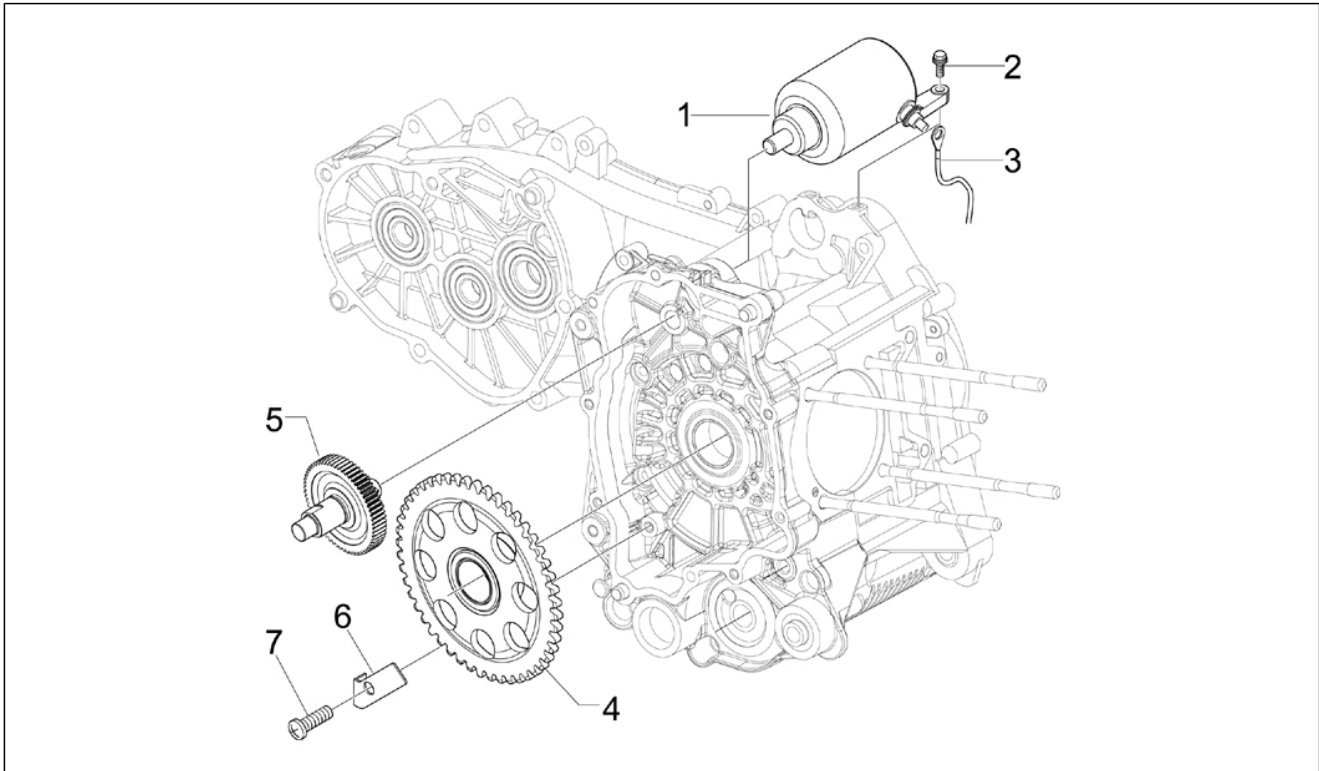
Pos.	Code	Description	Qty	Variants
1	82948R	Oil pump assembly	1	
2	847929	Carter-oil pump gasket	1	
3	829593	Screw w/ flange M5x35	2	
4	287913	Oil pump gear	1	
5	833722	Screw w/ flange M6x14	1	
6	436695	Belleville spring Ø6,4xØ20x2	1	
7	82723R	Camshaft chain	1	
8	82783R	Oil pump control pinion	1	
9	825952	Gasket ring	1	
10	483918	Oil seal washer	1	
11	82782R	Timing chain pinion	1	
12	840344	Chain tensioner rod	1	
13	414837	Screw w/ flange M6x25	1	
14	485868	Spacer	1	
15	82649R	Oil pump chain	1	
16	847516	Chain tensioner sliding block	1	
17	847116	Timing system cover	1	
18	82650R	Complete chain tensioner	1	
19	847928	Gasket	1	
20	434541	Screw w/ flange M6x16	2	
21	846096	Motor oil cup	1	
22	564629	Hose clamp	1	
23	289731	Screw w/ flange M6x30	7	
24	846098	Gasket	1	
25	277916	Locating dowel	3	
26	843364	Oil plug assembly	1	
27	479986	O-ring	1	

Group	Engine
Code	01.19
Description	Cooler pump
Service	1



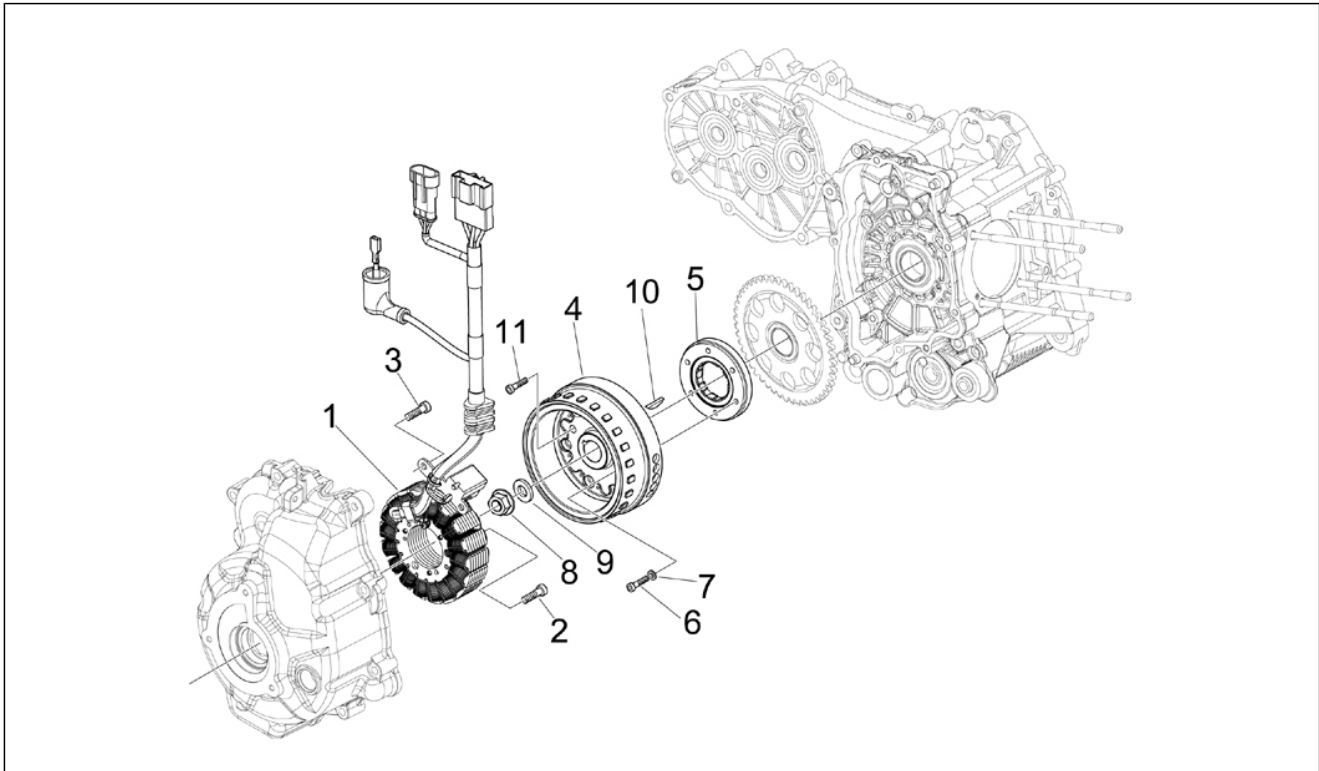
Pos.	Code	Description	Qty	Variants
1	877528	Water pump cover	1	
2	828662	Screw M5x22	3	
3	485080	O-ring	1	
4	841130	Pump-cylinder hose	1	
5	CM001922	Hose clamp	2	
6	CM001904	Hose clamp	1	
7	847718	By-pass pipe	1	
8	CM001904	Hose clamp	1	
9	842390	Drive key	1	

Group	Engine
Code	01.20
Description	Stater - Electric starter
Service	1



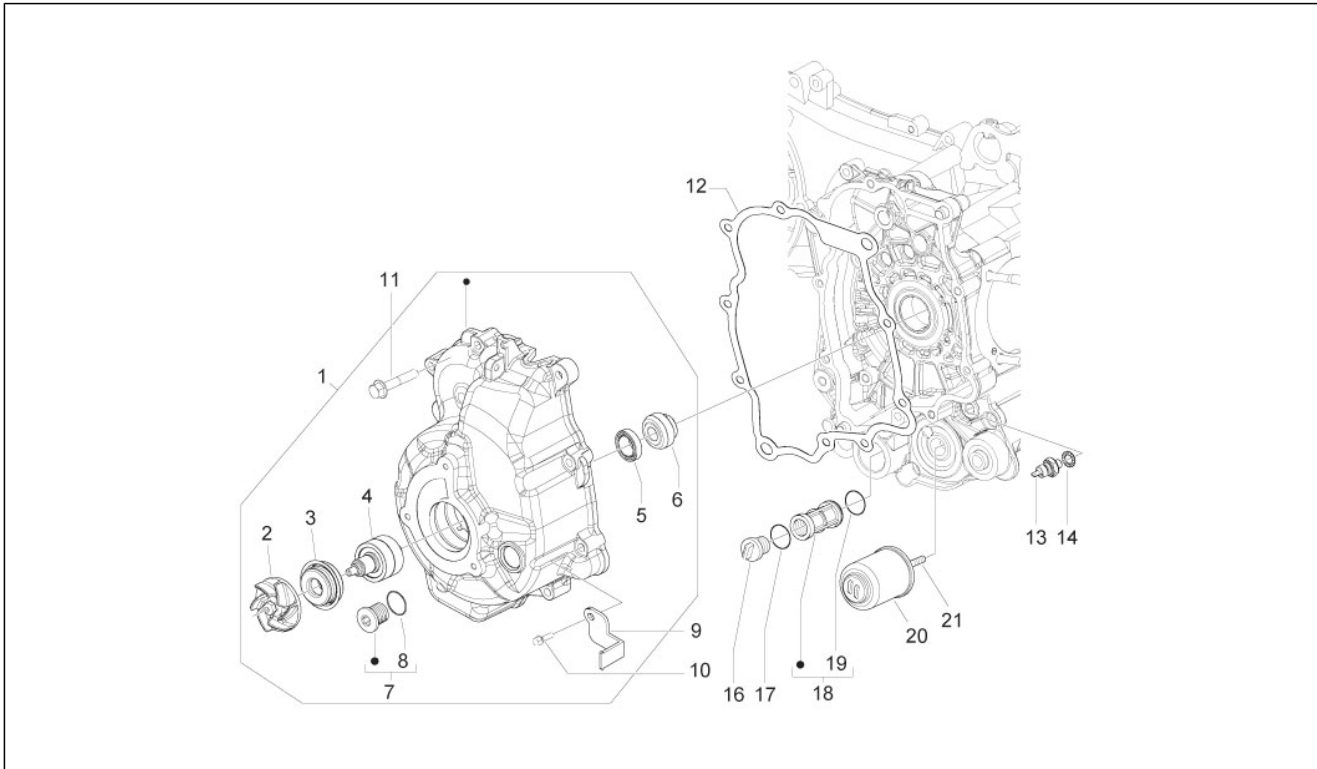
Pos.	Code	Description	Qty	Variants
1	58142R	Starter motor	1	
2	414837	Screw w/ flange M6x25	2	
3	639734	Relay-starter motor cable	1	
4	82737R	Starter motor gear	1	
5	842703	Pinion, assy	1	
6	848724	Ring container lamination	1	
7	008375	screw M6x14	1	

Group	Engine
Code	01.21
Description	Flywheel magneto
Service	1



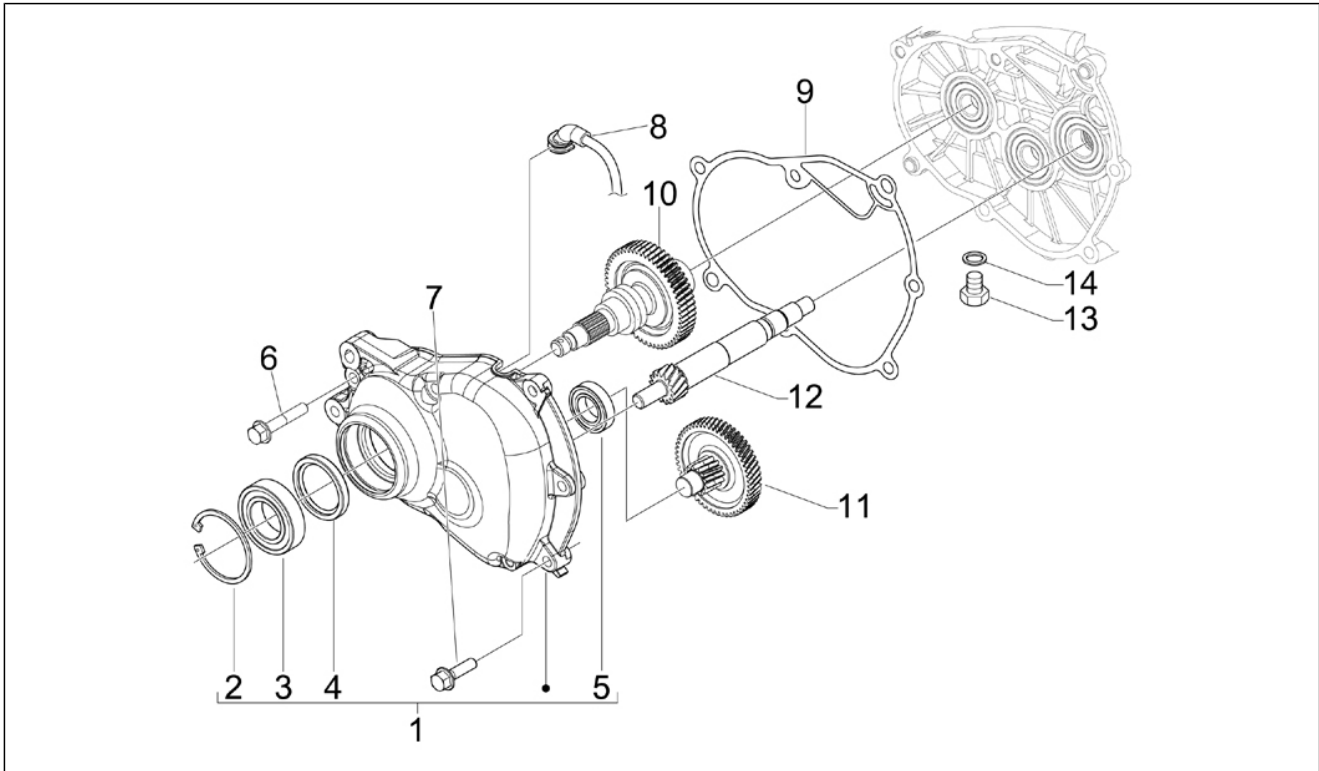
Pos.	Code	Description	Qty	Variants
1	638848	Stator cpl.	1	
2	122637	Low head socket screw M6x30	3	
3	018575	Screw M5x10	2	
3	847233	screw	2	
4	873034	Complete rotor (Kokusun)	1	
5	8494905	Complete freewheel	1	
6	847679	Hex socket screw M6x24	6	
6	877289	Hex socket screw M6x24	6	
7	479515	Break washer	6	
8	82952R	Special nut	1	
9	842385	Plain washer	1	
10	000097	Transmission key	1	
11	018575	Screw M5x10	2	

Group	Engine
Code	01.23
Description	Flywheel magneto cover - Oil filter
Service	1



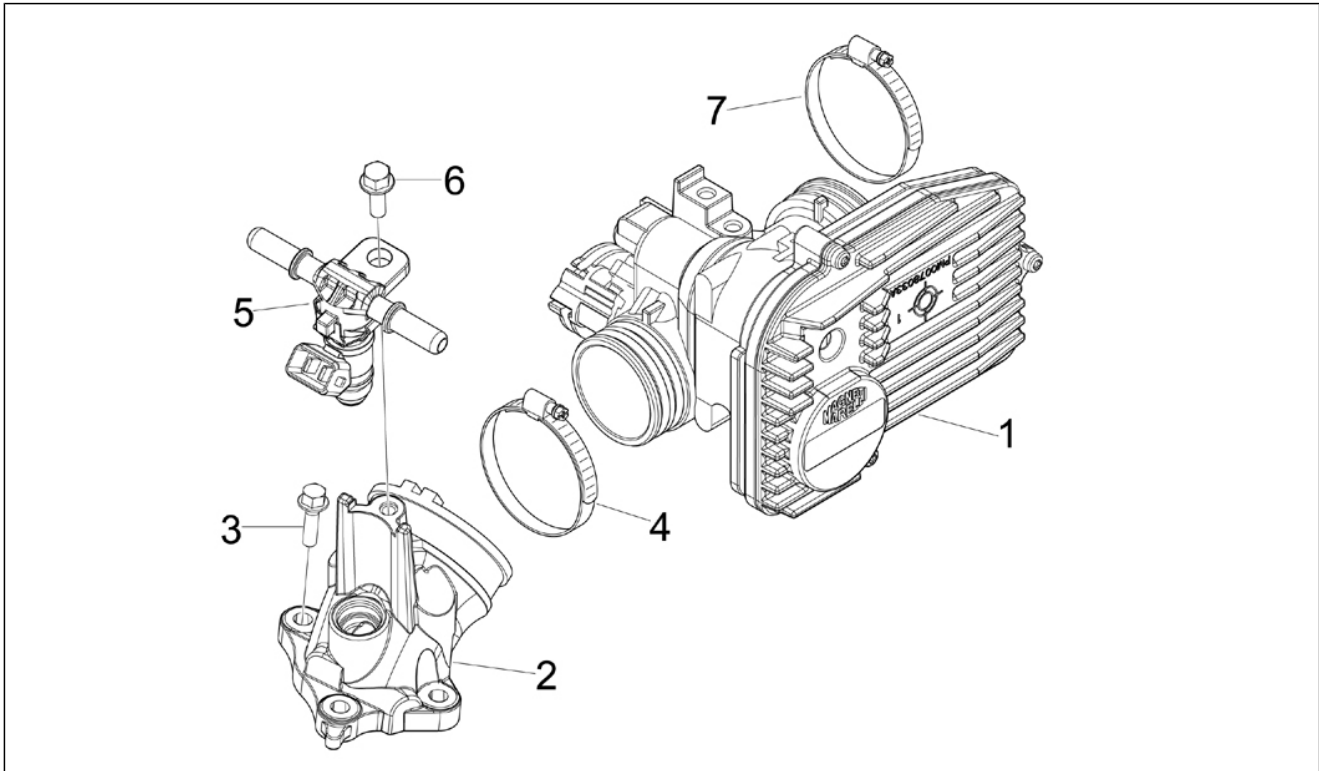
Pos.	Code	Description	Qty	Variants
1	8483785	Flywheel cover cpl.	1	
1	8798315	Flywheel cover cpl.	1	
2	844730	Water pump impeller cpl.	1	
3	842595	Gasket ring	1	
4	844759	Water pump shaft assy.cpl.	1	
4	8447595	Water pump shaft assy.	1	
5	82897R	Gasket ring 20x30x5	1	
6	842389	Pump impeller drive key	1	
7	829040	Timing plug assembly	1	
8	479986	O-ring	1	
9	641551	Lambda probe plate	1	
10	844160	screw	1	
11	414838	screw M6x35	9	
12	840504	Flywheel housing cover gasket	1	
13	641541	Oil pressure sensor	1	
13	82580R	Oil pressure sensor	1	
14	486075	Washer 10.5X16X2.5	1	
16	826165	Oil filter plug	1	
17	285536	O-ring 31,47x1,78	1	
18	843568	Intake oil filter	1	
19	288474	O-ring 20,35x1,78	1	
20	82635R	Oil filter	1	
21	840507	Oil filter special screw	1	

Group	Engine
Code	01.25
Description	Reduction unit
Service	1



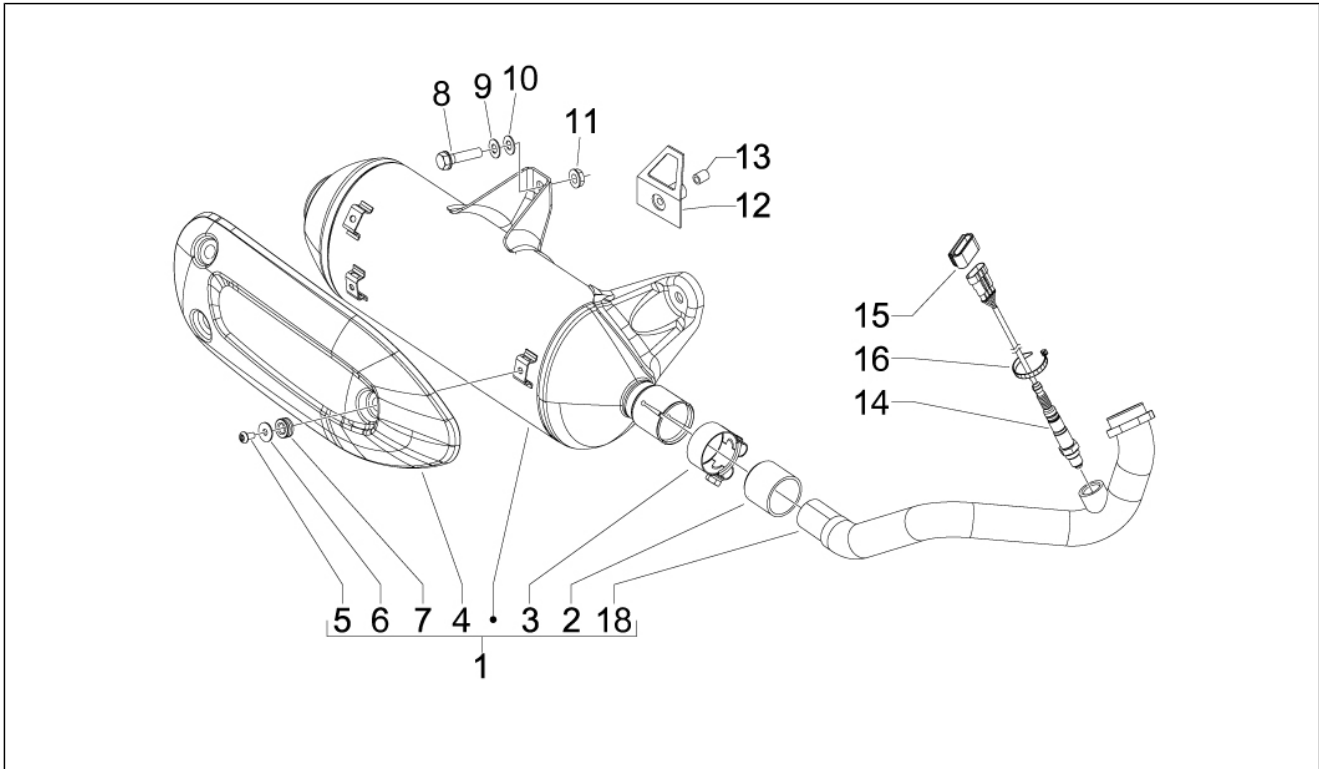
Pos.	Code	Description	Qty	Variants
1	8481875	Side cover	1	
2	829206	Circlip	1	
3	82659R	Radial bearing 30x55x13	1	
4	873351	Oil seal 38x50x7	1	
5	485912	Radial ball bearing 15x42x13	1	
6	873980	Screw w/ flange M8x40	1	
7	487211	Screw w/ flange M8x45	6	
8	844669	Breather pipe	1	
8	CM162201	Reduction unit breather pipe assembly	1	
9	847931	Gasket	1	
10	8749385	Rear wheel axis cpl. Z=41	1	
11	8749365	Transmission shaft	1	
12	8738755	Driven pulley shaft Z=14	1	
13	269755	Hex socket screw M8x12	1	
14	485703	Washer 8.2x12x1	1	

Group	Engine
Code	01.36
Description	Throttle body - Injector - Union pipe
Service	1



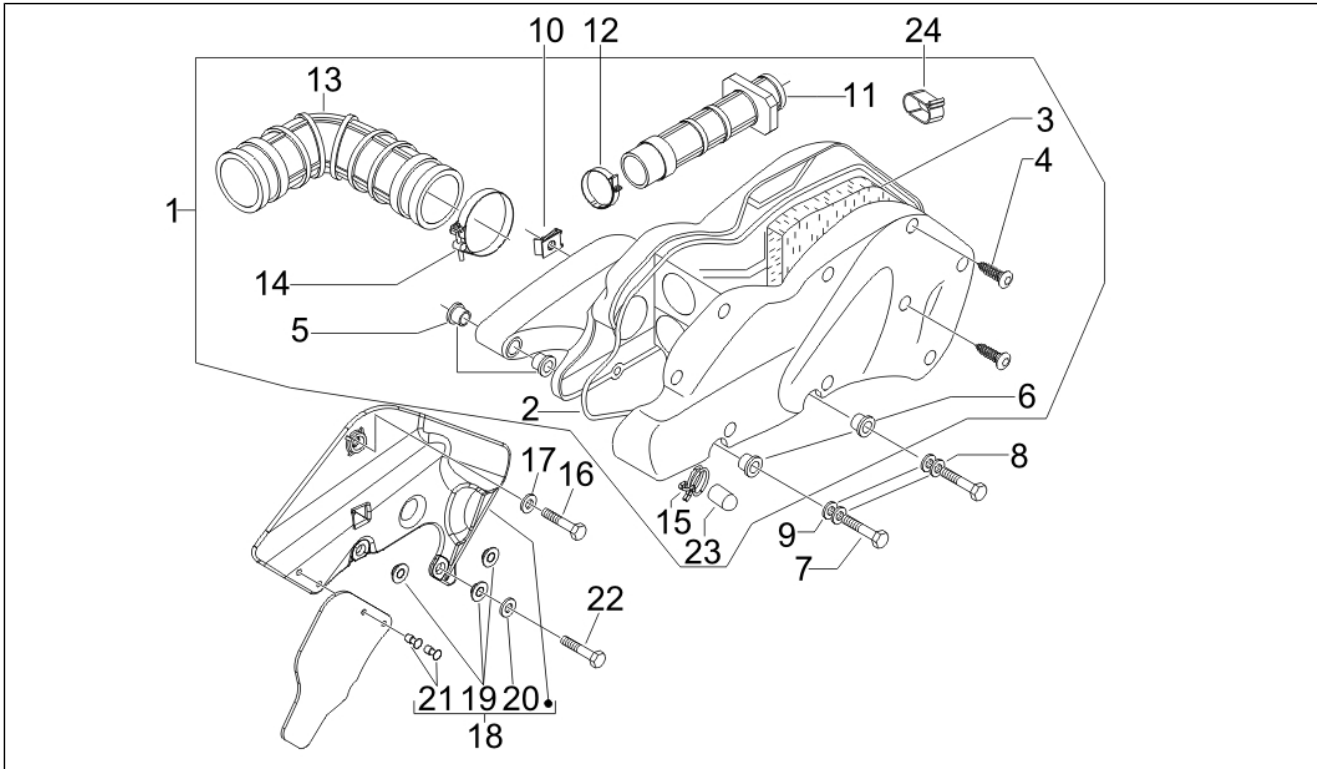
Pos.	Code	Description	Qty	Variants
1	CM081702	Throttle body with E.C.U.	1	
2	847881	Union	1	
3	018639	Hex screw M6x20	3	
4	709532	Hose clamp	1	
5	8732885	Complete injector	1	
6	830061	Screw w/ flange M5x16	1	
7	260918	Hose clamp	1	

Group	Engine
Code	01.42
Description	Silencer
Service	1



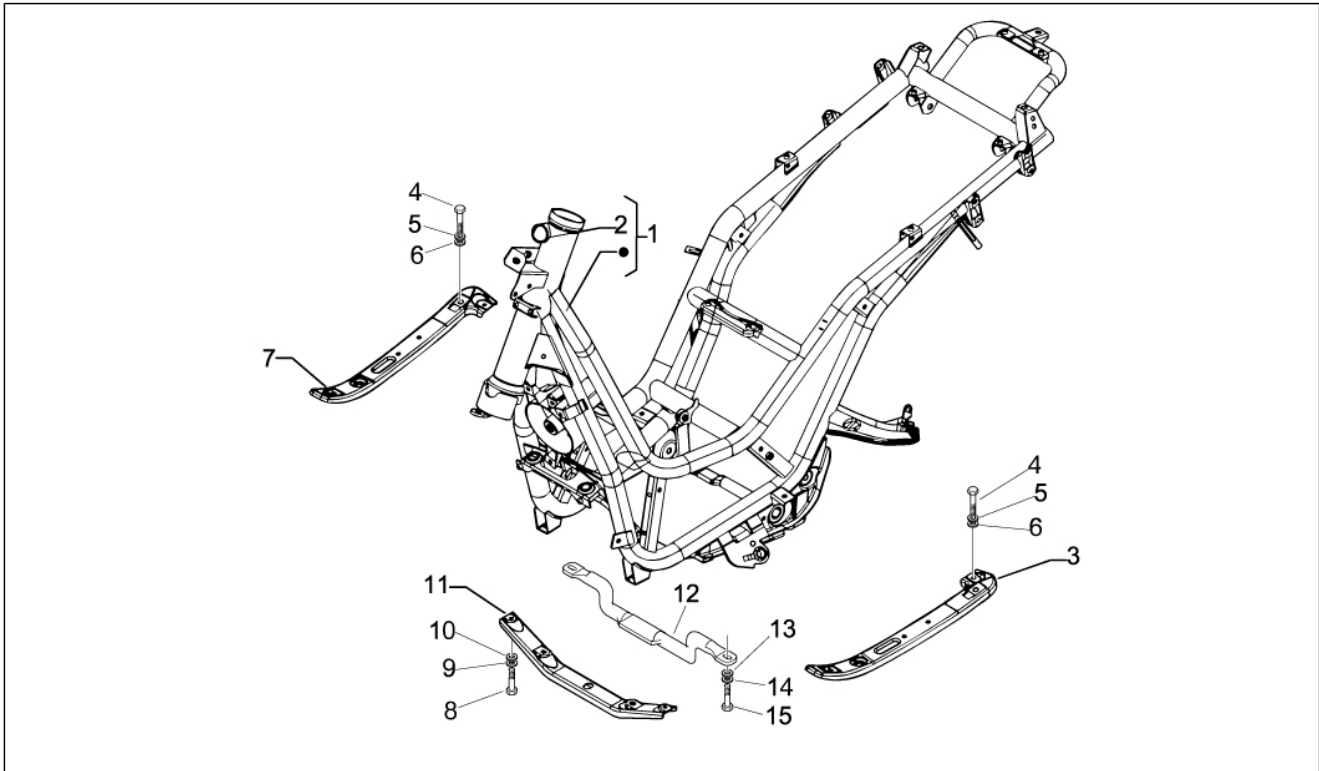
Pos.	Code	Description	Qty	Variants
1	8777655	Silencer complete with protection	1	
2	826388	Graphite bushing	1	
3	82789R	Hose clamp	1	
4	AP8117266	Exhaust pipe protection	1	
5	842908	screw M5x10	3	
6	844927	Flat washer	3	
7	841782	Fairlead	3	
8	599208	Hex screw M8x30	3	
9	834187	Spring washer 16x8,2x2,2	3	
10	848452	Flat washer 19,3x8,2x2,5	3	
11	436947	Nut	2	
12	AP8119925	Cover	1	
13	873450	Spacer	1	
14	639806	Lamda sensor	1	
15	639632	Instrument support	1	
16	145298	Lock-strap L=180mm	1	
18	847201	Exhaust manifold	1	

Group	Engine
Code	01.45
Description	Air filter
Service	1



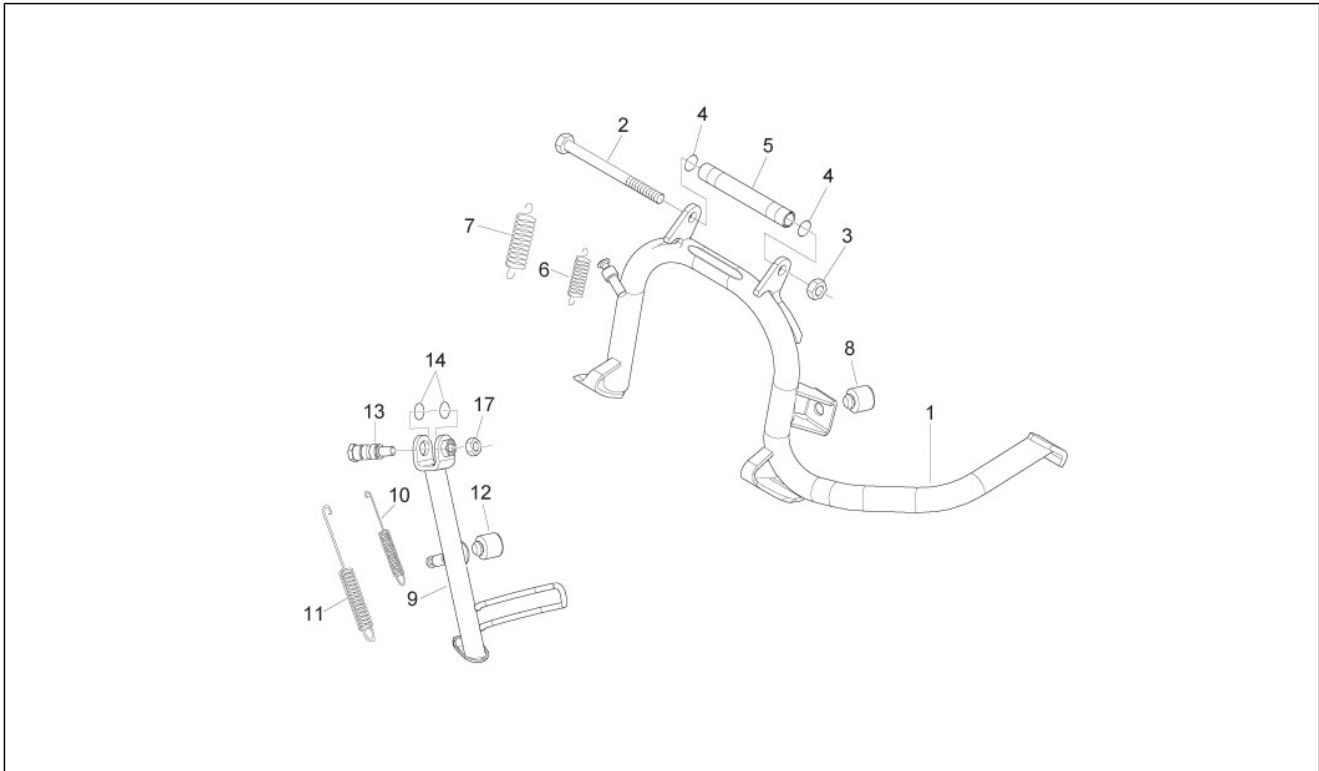
Pos.	Code	Description	Qty	Variants
1	871805	Complete air cleaner box.	1	
2	829259	Filter cover gasket	1	
3	829258	Air filter	1	
4	258146	Self-tap screw M3x20	9	
5	830057	Bushing	2	
6	830056	Knurled bushing	4	
7	018640	Special cap screw M6x50	2	
8	012533	Notched washer 6,6x11x0	2	
9	003056	Flat washer 6,4x12x1	2	
10	254485	Spring plate M6	2	
11	829543	Air intake hose	1	
12	830015	Hose clip 35-33	1	
13	848864	Throttle body hose	1	
14	260918	Hose clamp	1	
15	CM002910	Hose clamp	2	
16	259166	screw	1	
17	012533	Notched washer 6,6x11x0	1	
18	624812	PARATIA COMPLETA	1	
19	830056	Knurled bushing	3	
20	016670	Washer 4,5x12x1	2	
21	252099	Rivet	2	
22	414838	screw M6x35	2	
23	827831	Cap	2	
24	CM006904	Non return spring l=27	1	

Group	Frame - Plastic parts - Coachwork
Code	02.01
Description	Frame/bodywork
Service	1



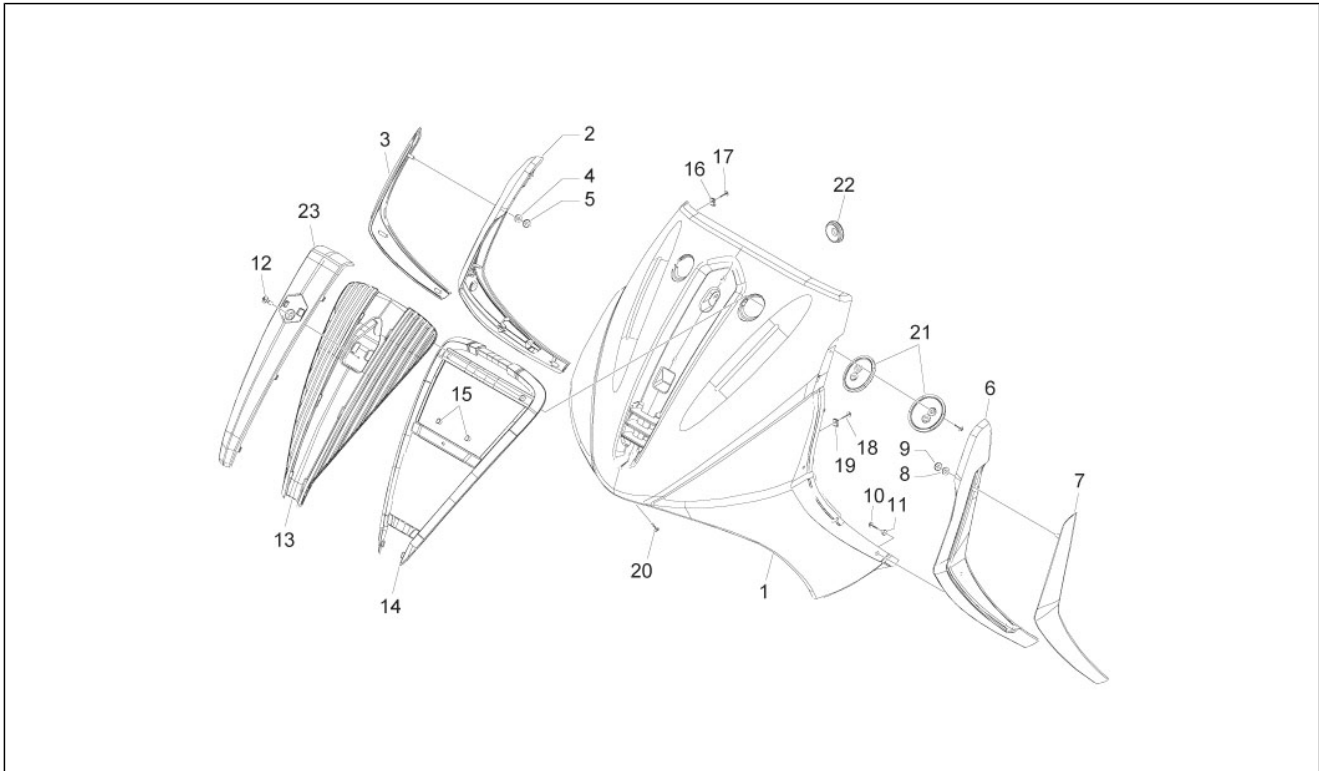
Pos.	Code	Description	Qty	Variants
1	624993	Not available	1	
2	575357	Lock support	1	
3	CM174901	Footrest support left cross pin	1	
4	031088	screw M6x16	4	
5	016406	Spring washer 6,4x11,8x1	4	
6	003056	Flat washer 6,4x12x1	4	
7	CM174902	Footrest support right cross pin	1	
8	031117	Screw m8x18 zn	2	
9	003038	Flat washer 8,4x18x2	2	
10	016408	Spring washer 13,75x8,15x4,5	2	
11	577896	Crosspiece	1	
12	577901	Crosspiece	1	
13	016408	Spring washer 13,75x8,15x4,5	2	
14	003038	Flat washer 8,4x18x2	2	
15	031117	Screw m8x18 zn	2	

Group	Frame - Plastic parts - Coachwork
Code	02.25
Description	Stand/s
Service	1



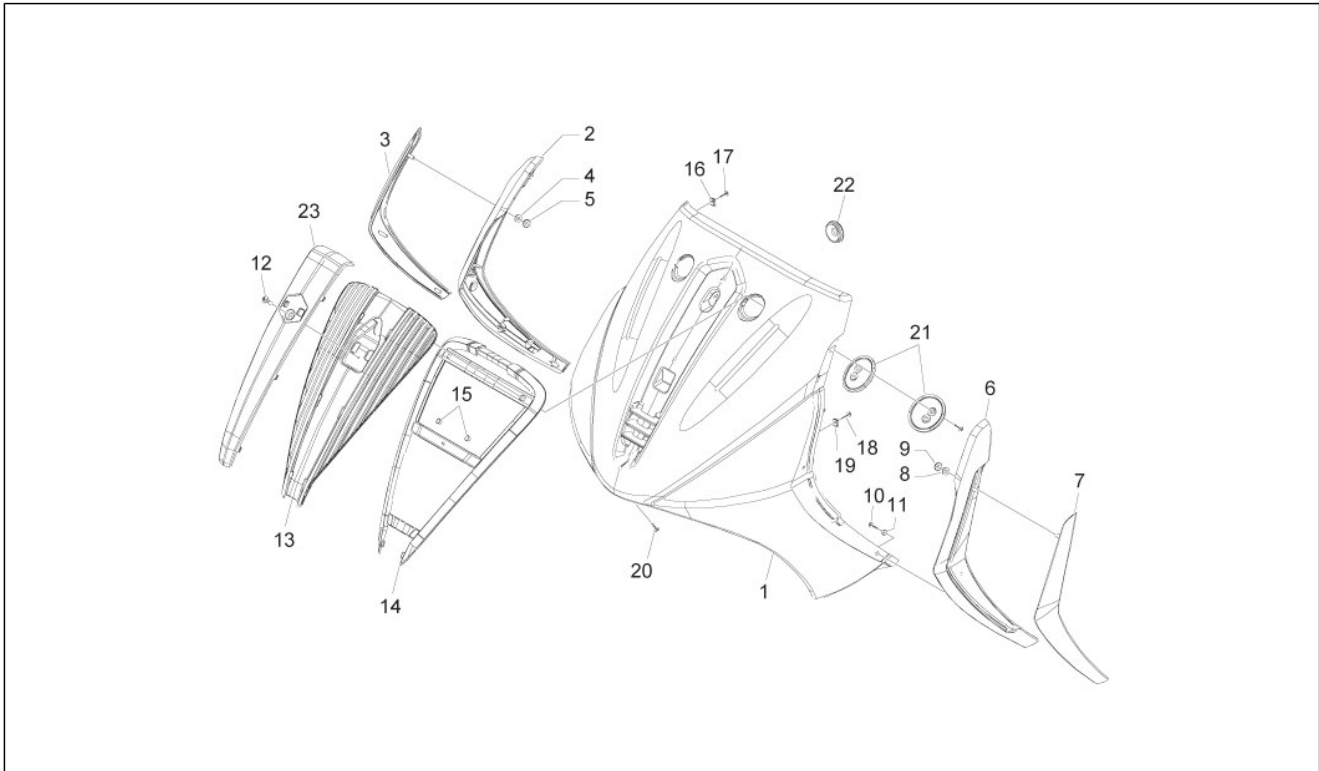
Pos.	Code	Description	Qty	Variants
1	56340R	Cavalletto centale con P.i.	1	
2	030115	Hex screw M10x130	1	
3	002440	Self locking nut M10	1	
4	273754	O-ring	2	
5	582298	Spacer	1	
6	582850	Internal lateral stand spring	1	
7	582851	Lateral stand spring	1	
8	272426	Pad	1	
9	647472	Cavalletto laterale con p.i	1	
10	295788	Spring	1	
11	295789	Spring	1	
12	164245	Stop buffer	1	
13	647595	Special screw	1	
14	191189	Gasket	2	
17	002440	Self locking nut M10	1	

Group	Frame - Plastic parts - Coachwork
Code	02.26
Description	Front shield
Service	1



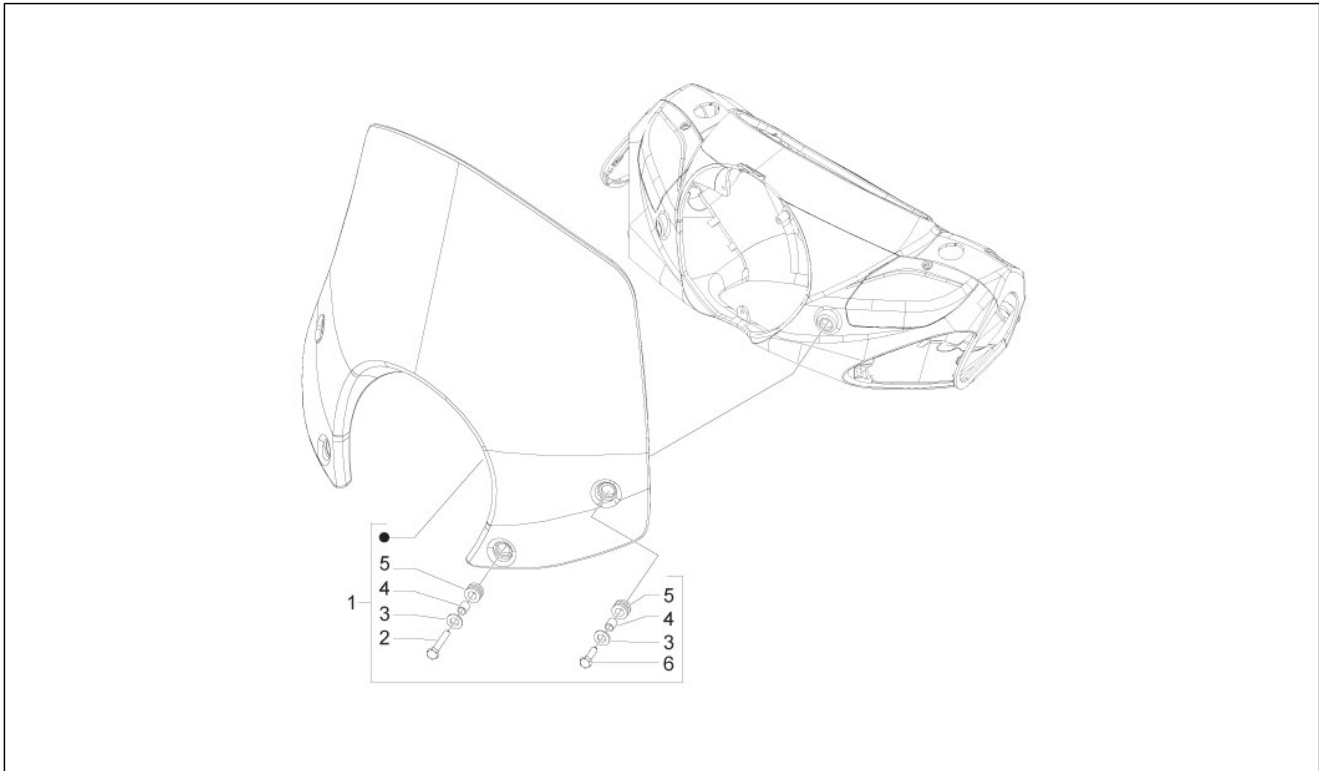
Pos.	Code	Description	Qty	Variants
1	620025	Front shield	1	
1	62002500BT	Front shield	1	Vehicle colour: Pearl White[566]
1	62002500DE	Front shield	1	
1	62002500EU	Front shield	1	Vehicle colour: Light grey metallic[711/B]
1	62002500RR	Front shield	1	Vehicle colour: Metallized Red[849/A]
1	62002500XN2	Front shield	1	Vehicle colour: Competition Black[98/A]
2	655104	CORNICE DEFLETTORE DX	1	
3	655105	RH bumper	1	
4	479882	Spacer	2	
5	230359	Spring plate	3	
6	655101	CORNICE DEFLETTORE SX	1	
7	655102	LH bumper	1	
8	479882	Spacer	2	
9	230359	Spring plate	3	
10	297498	Self tapping screw M3,5x13	8	
11	230872	Cap	2	
12	297498	Self tapping screw M3,5x13	1	
13	653773	Shield central grille	1	
13	656198	Shield central grille	1	
14	655099	Frame	1	
14	65509900BT	Frame	1	Vehicle colour: Pearl White[566]
14	65509900DE	Frame	1	
14	65509900EU	Frame	1	Vehicle colour: Light grey metallic[711/B]
14	65509900RR	Frame	1	Vehicle colour: Metallized Red[849/A]
14	65509900XN2	Frame	1	Vehicle colour: Competition Black[98/A]
15	230872	Cap	2	
16	297498	Self tapping screw M3,5x13	5	
17	CM017410	Spring plate	2	

Group	Frame - Plastic parts - Coachwork
Code	02.26
Description	Front shield
Service	1



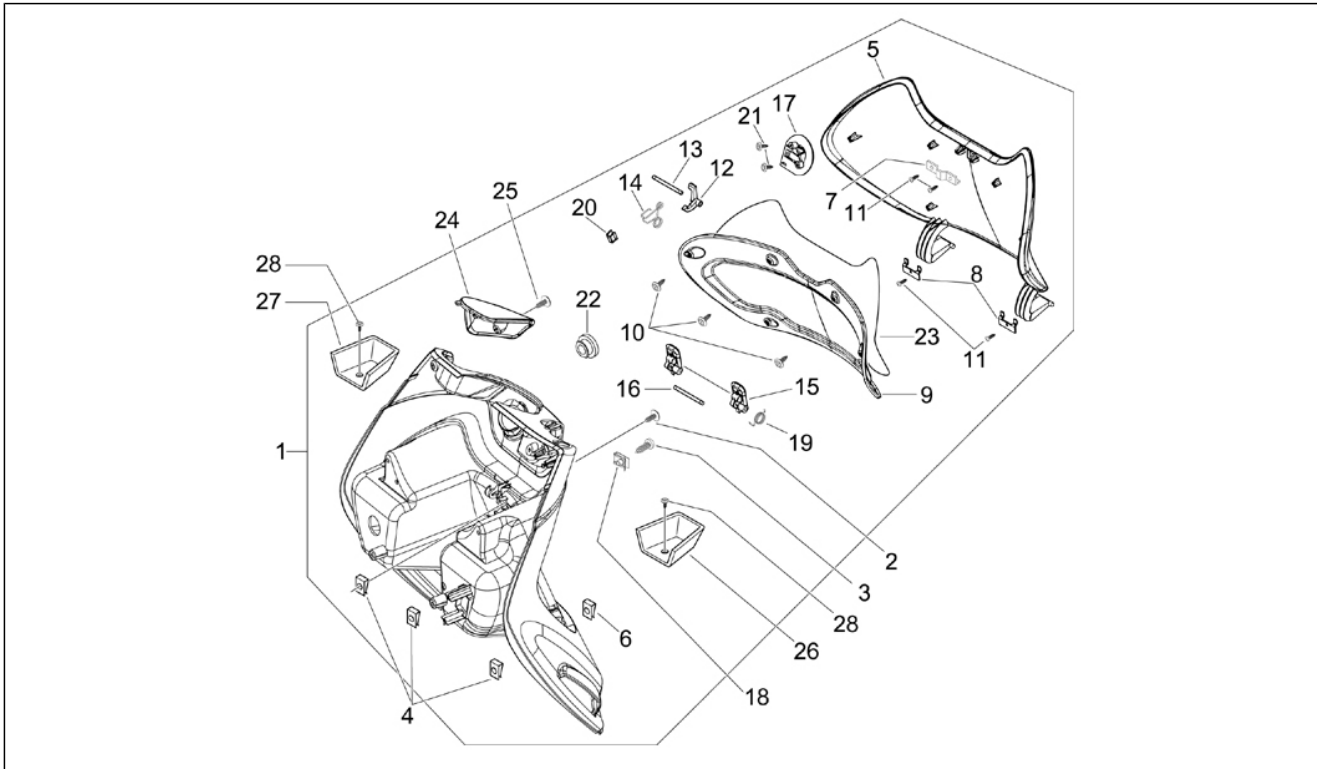
Pos.	Code	Description	Qty	Variants
18	258249	screw 4,2x19	2	
19	CM017410	Spring plate	2	
20	272836	Screw M6x16	1	
21	654021	Plug	2	
22	190568	Cover	1	
23	653586	Steering column cover	1	

Group	Frame - Plastic parts - Coachwork
Code	02.27
Description	Windshield - Glass
Service	1



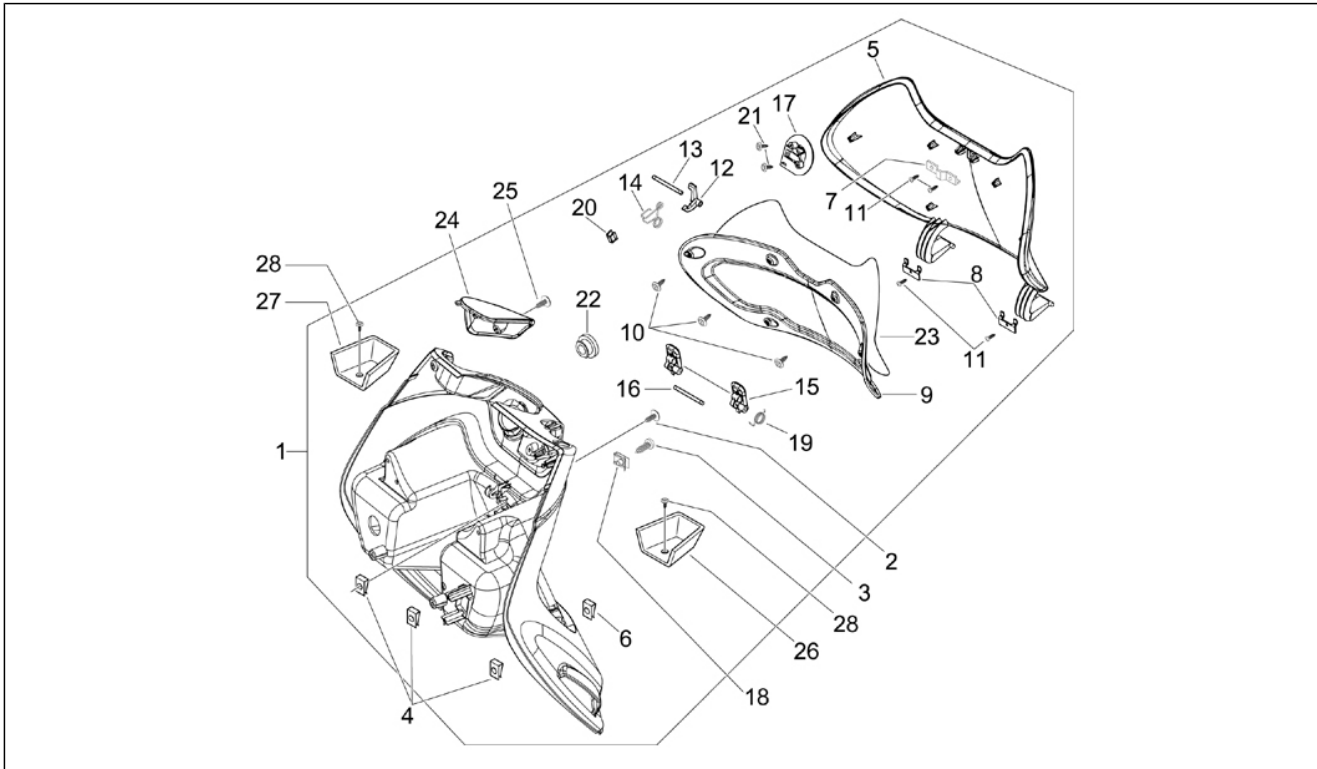
Pos.	Code	Description	Qty	Variants
1	655179	Windscreen assembly	1	
2	622010	Screw	3	
3	599620	***WASHER	5	
4	599619	Spacer	5	
5	622009	Fairlead	5	
6	622011	screw	2	
7	621923	***WINDSHIELD SUPPORT	2	

Group	Frame - Plastic parts - Coachwork
Code	02.30
Description	Front glove-box - Knee-guard panel
Service	1



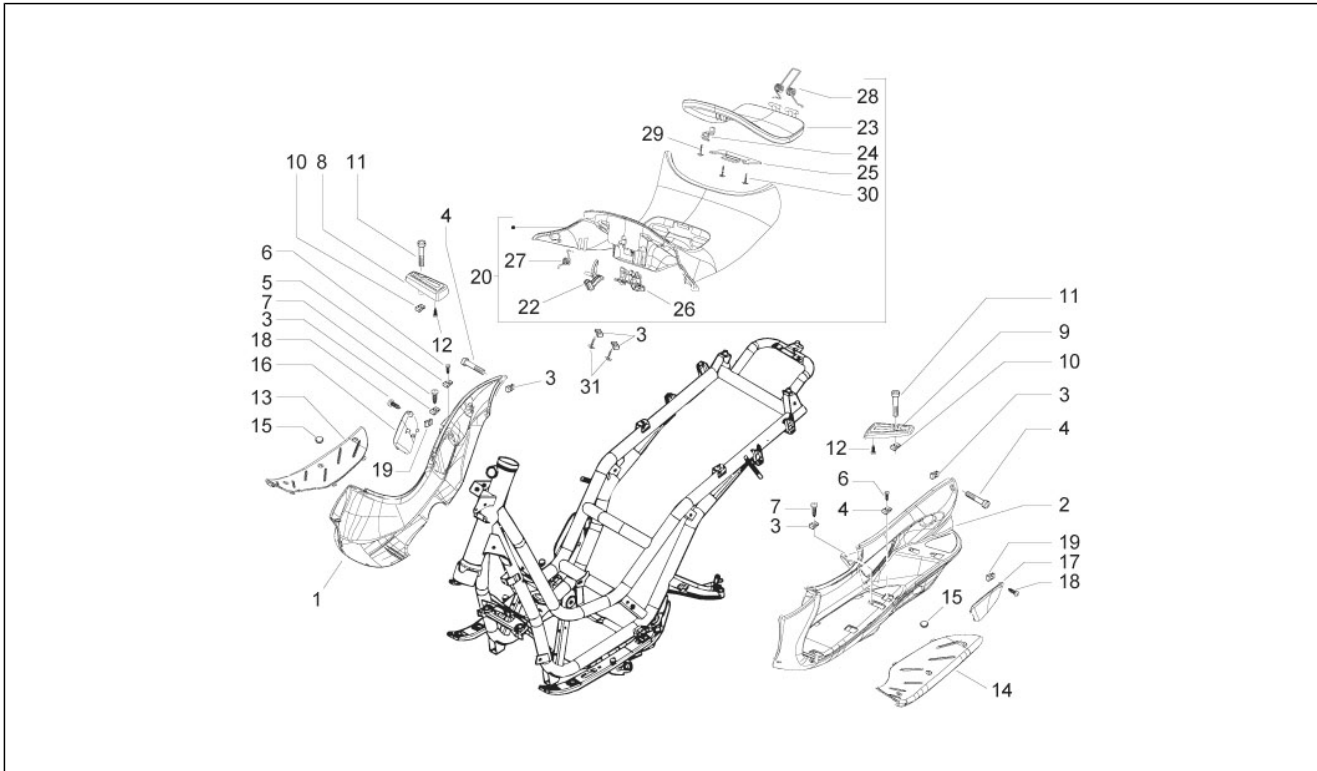
Pos.	Code	Description	Qty	Variants
1	652939	Complete front top box	1	
1	65293900BT	Complete front top box	1	Vehicle colour: Pearl White[566]
1	65293900DE	Complete front top box	1	
1	65293900EU	Complete front top box	1	Vehicle colour: Light grey metallic[711/B]
1	65293900RR	Complete front top box	1	Vehicle colour: Metallized Red[849/A]
1	65293900XN2	Complete front top box	1	Vehicle colour: Competition Black[98/A]
2	258249	screw 4,2x19	4	
3	272836	Screw M6x16	1	
4	CM017410	Spring plate	6	
5	621672000C	Glove compartment door	1	Vehicle colour: Light grey metallic[711/B] Vehicle colour: Competition Black[98/A]
6	CM017410	Spring plate	2	
7	252420	Square	1	
8	257614	Square	2	
9	576794	Counter flap	1	
10	296141	Self tapping screw	6	
11	297498	Self tapping screw M3,5x13	4	
12	575607	Pawl	1	
13	270147	Pin	1	
14	577005	Spring	1	
15	577861	Lever	2	
16	575062	Pin	1	
17	575819	Bag holder hook	1	
18	254485	Spring plate M6	1	
19	575610	Spring	1	
20	299693	Catch spring	1	
21	259349	Screw M4,2x13	2	
22	190567	Cover	1	

Group	Frame - Plastic parts - Coachwork
Code	02.30
Description	Front glove-box - Knee-guard panel
Service	1



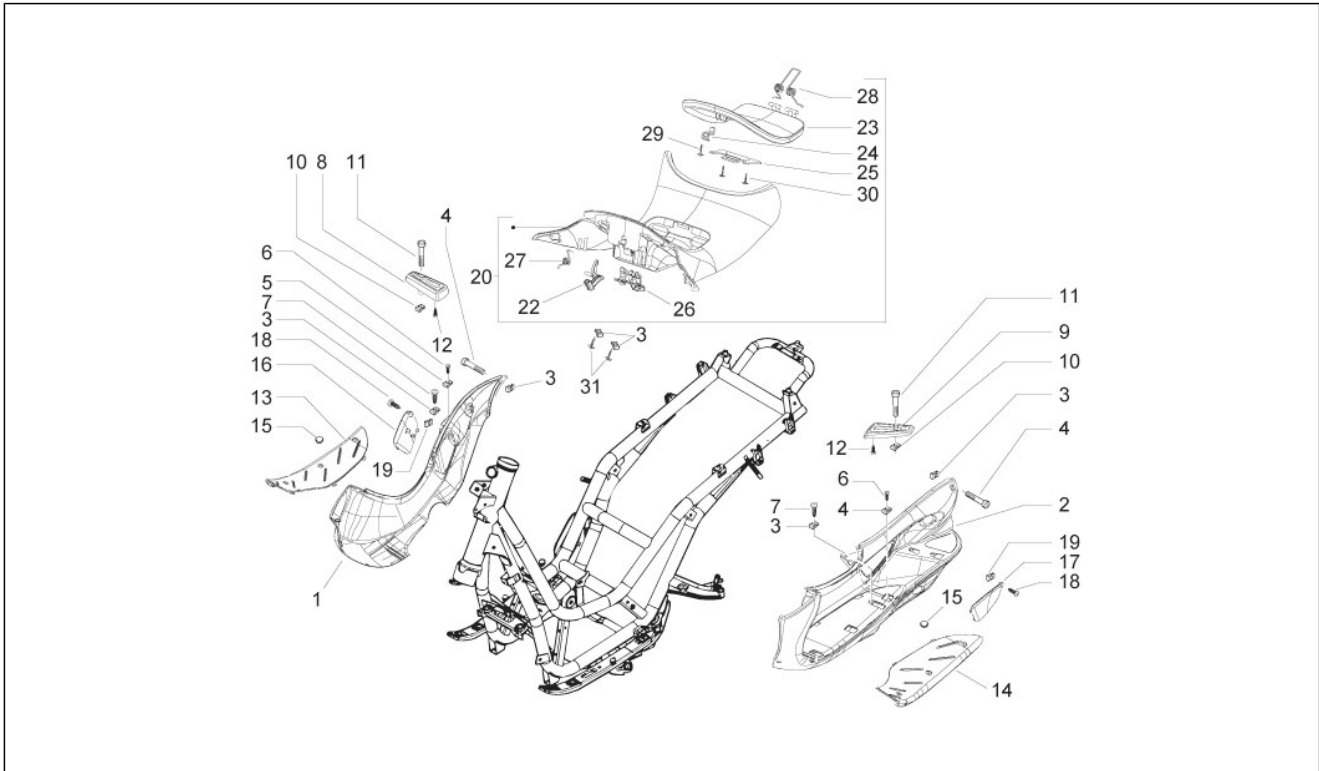
Pos.	Code	Description	Qty	Variants
23	CM006303	Flap packing	1	
24	621669	Coolant insp. door	1	
24	62166900BT	Coolant insp. door	1	Vehicle colour: Pearl White[566]
24	62166900DE	Coolant insp. door	1	
24	62166900EU	Coolant insp. door	1	Vehicle colour: Light grey metallic[711/B]
24	62166900RR	Coolant insp. door	1	Vehicle colour: Metallized Red[849/A]
24	62166900XN2	Coolant insp. door	1	Vehicle colour: Competition Black[98/A]
25	297498	Self tapping screw M3,5x13	1	
26	CM012001	***LUGGAGE COMPART. FRAME	1	
26	CM012001000C	Left top box internal frame	1	Vehicle colour: Pearl White[566] Vehicle colour: Light grey metallic[711/B] Vehicle colour: Competition Black[98/A] Vehicle colour: Metallized Red[849/A]
27	CM012002	Right top box internal frame	1	
27	CM012002000C	Right top box internal frame	1	Vehicle colour: Pearl White[566] Vehicle colour: Metallized Red[849/A] Vehicle colour: Competition Black[98/A] Vehicle colour: Light grey metallic[711/B]
28	259349	Screw M4,2x13	2	

Group	Frame - Plastic parts - Coachwork
Code	02.31
Description	Central cover - Footrests
Service	1



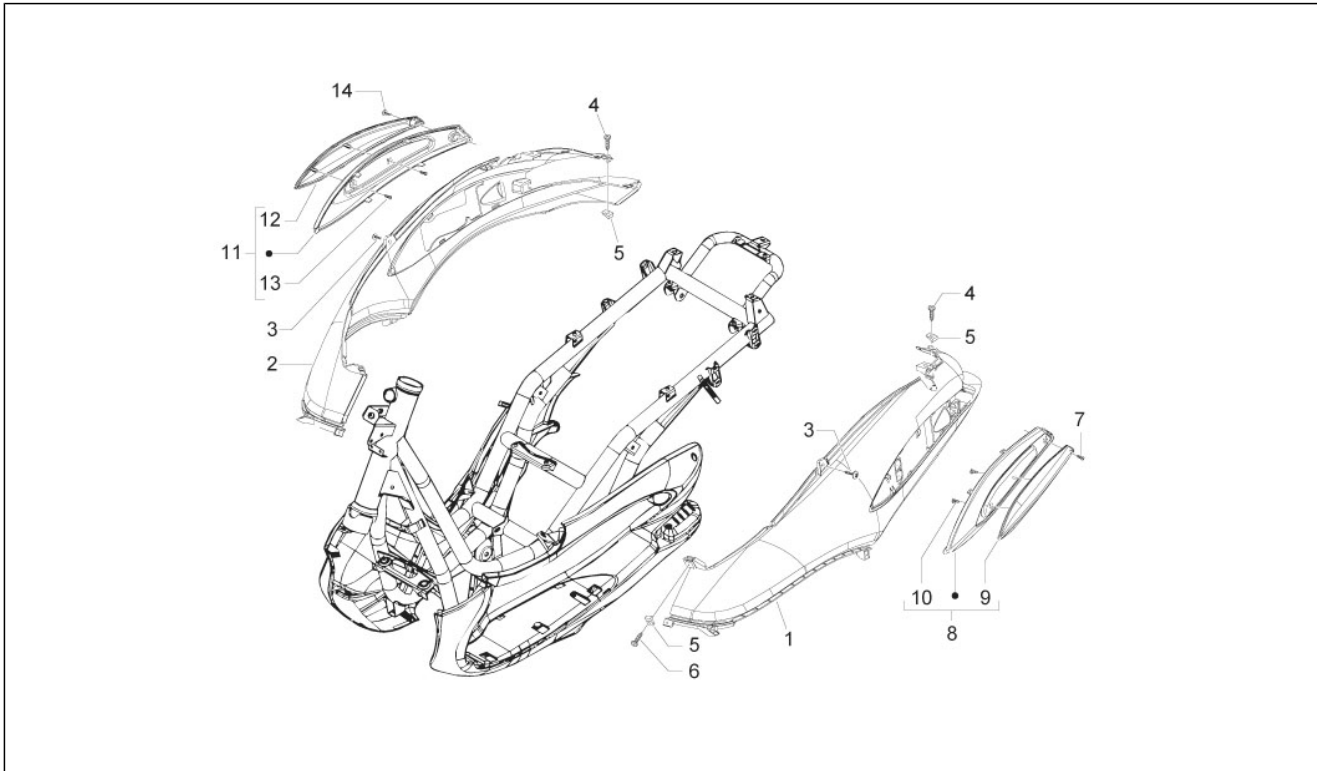
Pos.	Code	Description	Qty	Variants
1	CM014204000C	RH footrest	1	Vehicle colour: Pearl White[566] Vehicle colour: Metallized Red[849/A] Vehicle colour: Competition Black[98/A] Vehicle colour: Light grey metallic[711/B]
2	CM014203000C	LH footrest	1	Vehicle colour: Pearl White[566] Vehicle colour: Light grey metallic[711/B] Vehicle colour: Metallized Red[849/A] Vehicle colour: Competition Black[98/A]
3	CM017410	Spring plate	6	
4	258249	screw 4,2x19	4	
5	254485	Spring plate M6	4	
6	575249	Screw with tang M6	4	
7	259349	Screw M4,2x13	2	
8	CM014402000C	RH rear footrest	1	Vehicle colour: Pearl White[566] Vehicle colour: Light grey metallic[711/B] Vehicle colour: Metallized Red[849/A] Vehicle colour: Competition Black[98/A]
9	CM014401000C	LH rear footrest	1	Vehicle colour: Pearl White[566] Vehicle colour: Light grey metallic[711/B] Vehicle colour: Competition Black[98/A] Vehicle colour: Metallized Red[849/A]
10	254485	Spring plate M6	2	
11	272624	screw M6x40	2	
12	270793	TBCIC Screw 3,8x16	2	
13	CM008902	Mat	1	
14	CM008901	Mat	1	
15	CM011101	Pin	6	
16	CM014603000C	Portellino laterale dx	1	Vehicle colour: Pearl White[566] Vehicle colour: Metallized Red[849/A] Vehicle colour: Competition Black[98/A] Vehicle colour: Light grey metallic[711/B]
17	CM014601000C	Portellino laterale sx	1	Vehicle colour: Pearl White[566]

Group	Frame - Plastic parts - Coachwork
Code	02.31
Description	Central cover - Footrests
Service	1



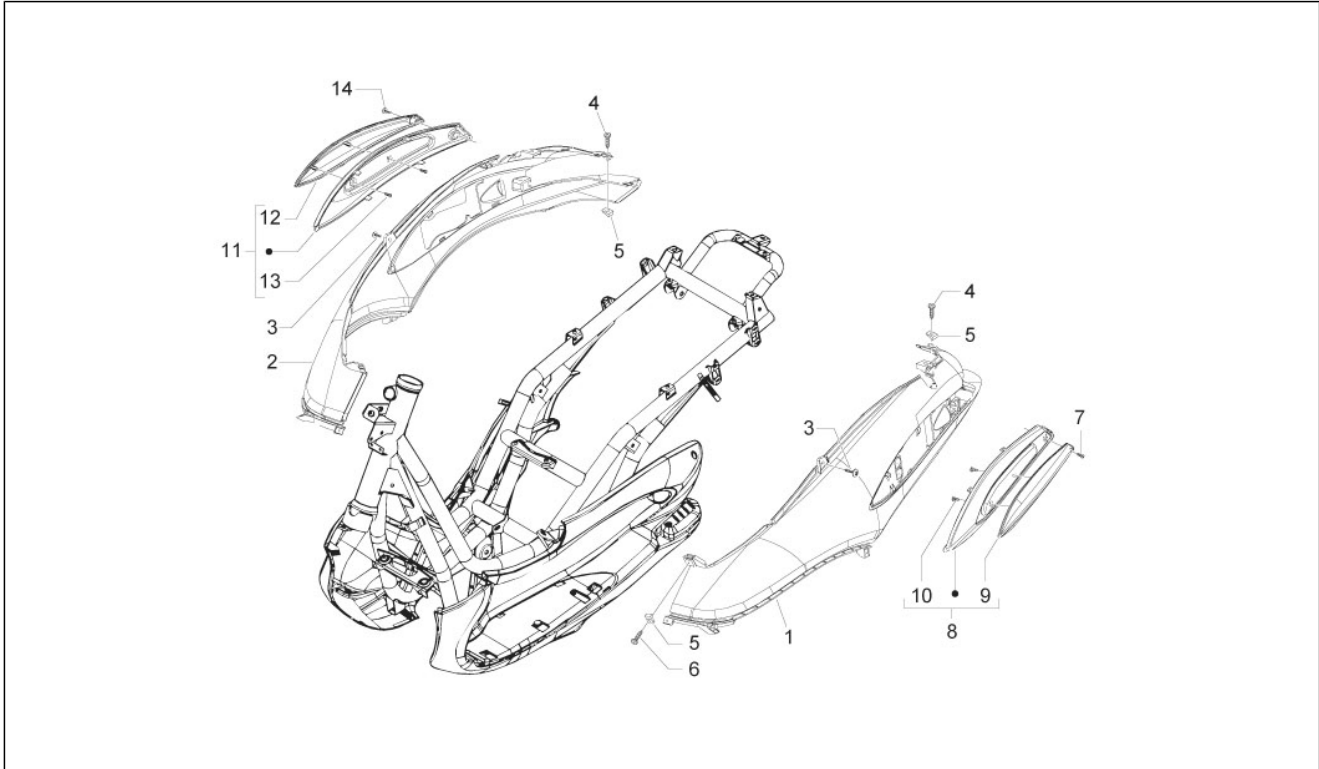
Pos.	Code	Description	Qty	Variants
				Vehicle colour:Light grey metallic[711/B] Vehicle colour:Competition Black[98/A] Vehicle colour:Metallized Red[849/A]
18	259349	Screw M4,2x13	2	
19	CM017410	Spring plate	2	
20	621004	***CENTRAL COVER	1	
20	621004000C	Central cover	1	Vehicle colour:Pearl White[566] Vehicle colour:Competition Black[98/A] Vehicle colour:Light grey metallic[711/B] Vehicle colour:Metallized Red[849/A]
22	576626	Cam lever	1	
23	576376000C	Fuel tank door	1	Vehicle colour:Pearl White[566] Vehicle colour:Light grey metallic[711/B] Vehicle colour:Competition Black[98/A]
24	299689	Square	1	
25	575605	Plate	1	
26	620491	Maintenance	1	
27	575604	Spring	1	
28	621507	Spring	1	
29	297498	Self tapping screw M3,5x13	1	
30	270793	TBCIC Screw 3,8x16	4	
31	576189	Screw d4,2x16	4	

Group	Frame - Plastic parts - Coachwork
Code	02.32
Description	Side cover - Spoiler
Service	1



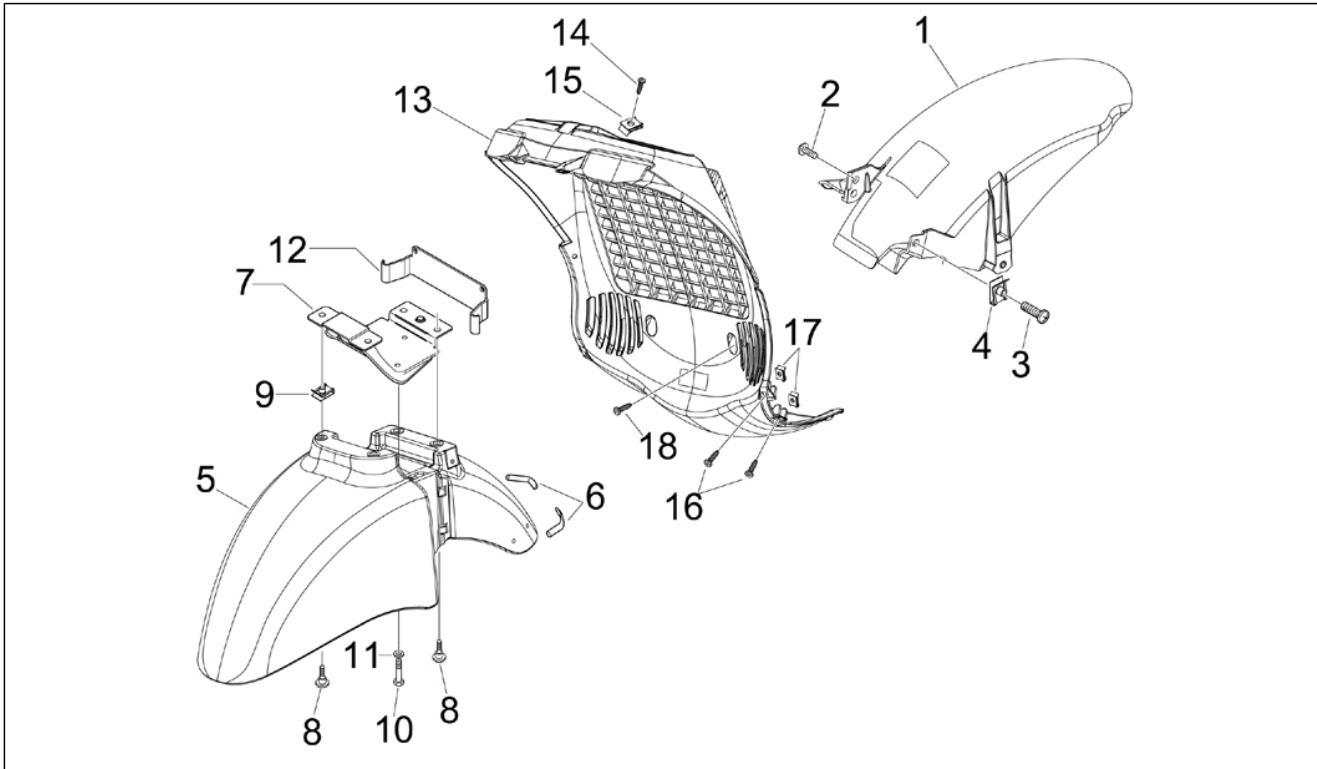
Pos.	Code	Description	Qty	Variants
1	CM024601	Rear body side l.h.	1	
1	CM02460100BT	Rear body side l.h.	1	Vehicle colour: Pearl White[566]
1	CM02460100DE	Rear body side l.h.	1	
1	CM02460100EU	Rear body side l.h.	1	Vehicle colour: Light grey metallic[711/B]
1	CM02460100RR	Rear body side l.h.	1	Vehicle colour: Metallized Red[849/A]
1	CM02460100XN2	Rear body side l.h.	1	Vehicle colour: Competition Black[98/A]
2	CM024602	Rear body side r.h.	1	
2	CM02460200BT	Rear body side r.h.	1	Vehicle colour: Pearl White[566]
2	CM02460200DE	Rear body side r.h.	1	
2	CM02460200EU	Rear body side r.h.	1	Vehicle colour: Light grey metallic[711/B]
2	CM02460200RR	Rear body side r.h.	1	Vehicle colour: Metallized Red[849/A]
2	CM02460200XN2	Rear body side r.h.	1	Vehicle colour: Competition Black[98/A]
3	259348	Cap screw+shank	2	
4	258249	screw 4,2x19	2	
5	CM017410	Spring plate	3	
6	259372	Self tapping screw M4,2x25	1	
7	575249	Screw with tang M6	2	
8	CM016901000C	Left rubber buffer frame	1	Vehicle colour: Pearl White[566] Vehicle colour: Light grey metallic[711/B] Vehicle colour: Metallized Red[849/A] Vehicle colour: Competition Black[98/A]
9	CM017101000C	Bumper	1	Vehicle colour: Pearl White[566] Vehicle colour: Competition Black[98/A] Vehicle colour: Light grey metallic[711/B]
10	270793	TBCIC Screw 3,8x16	2	
11	CM016902000C	Left rubber buffer frame	1	Vehicle colour: Pearl White[566] Vehicle colour: Light grey metallic[711/B] Vehicle colour: Competition Black[98/A] Vehicle colour: Metallized Red[849/A]
12	CM017102000C	Bumper	1	Vehicle colour: Pearl White[566]

Group	Frame - Plastic parts - Coachwork
Code	02.32
Description	Side cover - Spoiler
Service	1



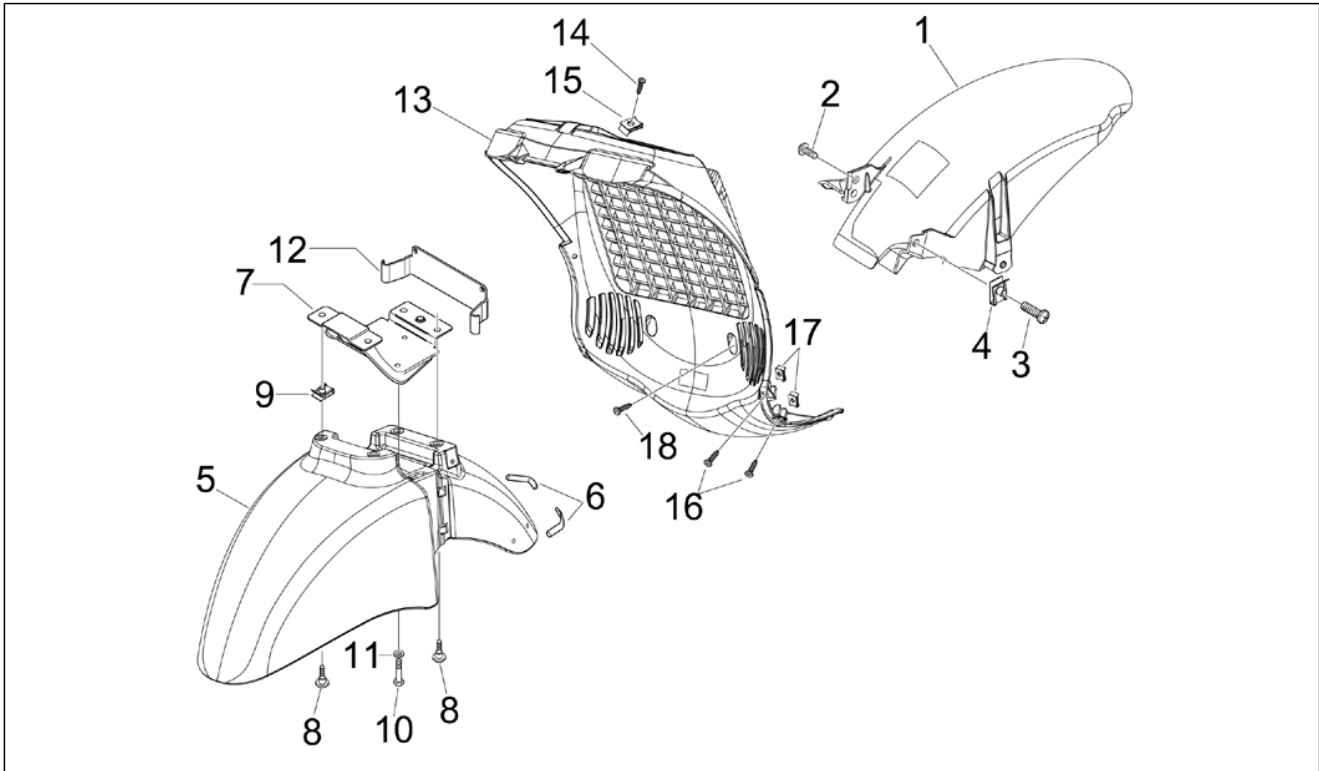
Pos.	Code	Description	Qty	Variants
				Vehicle colour:Light grey metallic[711/B] Vehicle colour:Competition Black[98/A]
13	270793	TBCIC Screw 3,8x16	2	

Group	Frame - Plastic parts - Coachwork
Code	02.33
Description	Wheel huosing - Mudguard
Service	1



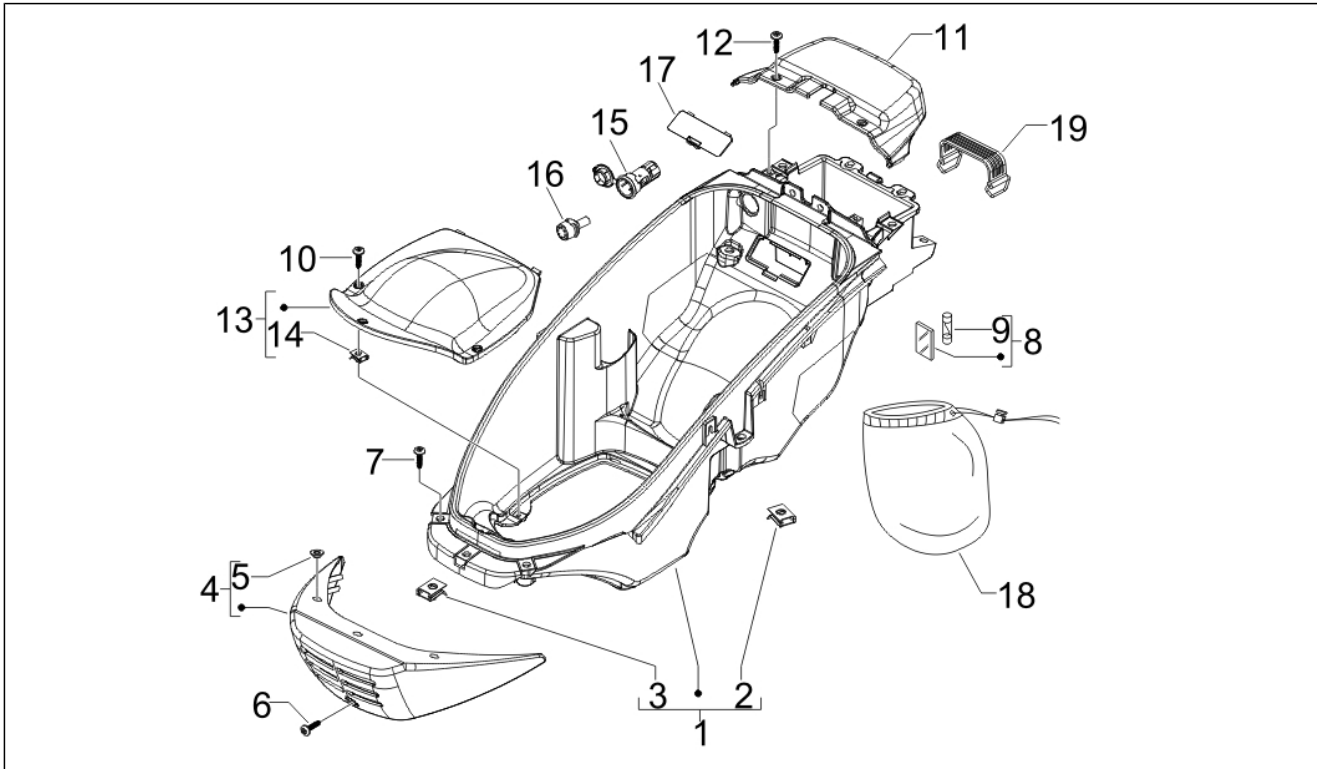
Pos.	Code	Description	Qty	Variants
1	621089	Rear mudguard, black	1	
2	575249	Screw with tang M6	1	
3	271891	Screw m6x30	1	
4	254485	Spring plate M6	1	
5	653588	Front mudguard	1	
5	65358800BT	Front mudguard	1	Vehicle colour: Pearl White[566]
5	65358800DE	Front mudguard	1	
5	65358800EU	Front mudguard	1	Vehicle colour: Light grey metallic[711/B]
5	65358800RR	Front mudguard	1	Vehicle colour: Metallized Red[849/A]
5	65358800XN2	Front mudguard	1	Vehicle colour: Competition Black[98/A]
6	598794	Guard	2	
7	597795	Bracket	1	
8	575249	Screw with tang M6	4	
9	254485	Spring plate M6	4	
10	031086	Screw m6x12	3	
11	006966	Spring washer 6,4x11x0,5	3	
12	597923	Plate	1	
13	621448000C	Wheel compartment	1	Vehicle colour: Pearl White[566] Vehicle colour: Competition Black[98/A] Vehicle colour: Light grey metallic[711/B] Vehicle colour: Metallized Red[849/A]
14	259830	Screw m6x22	1	
15	254485	Spring plate M6	1	
16	258249	screw 4,2x19	4	
17	CM017410	Spring plate	4	
18	272836	Screw M6x16	2	
19	584078	Bracket	1	
20	584079	Bracket	0	
21	584083	Catadiottro laterale SX	1	

Group	Frame - Plastic parts - Coachwork
Code	02.33
Description	Wheel huosing - Mudguard
Service	1



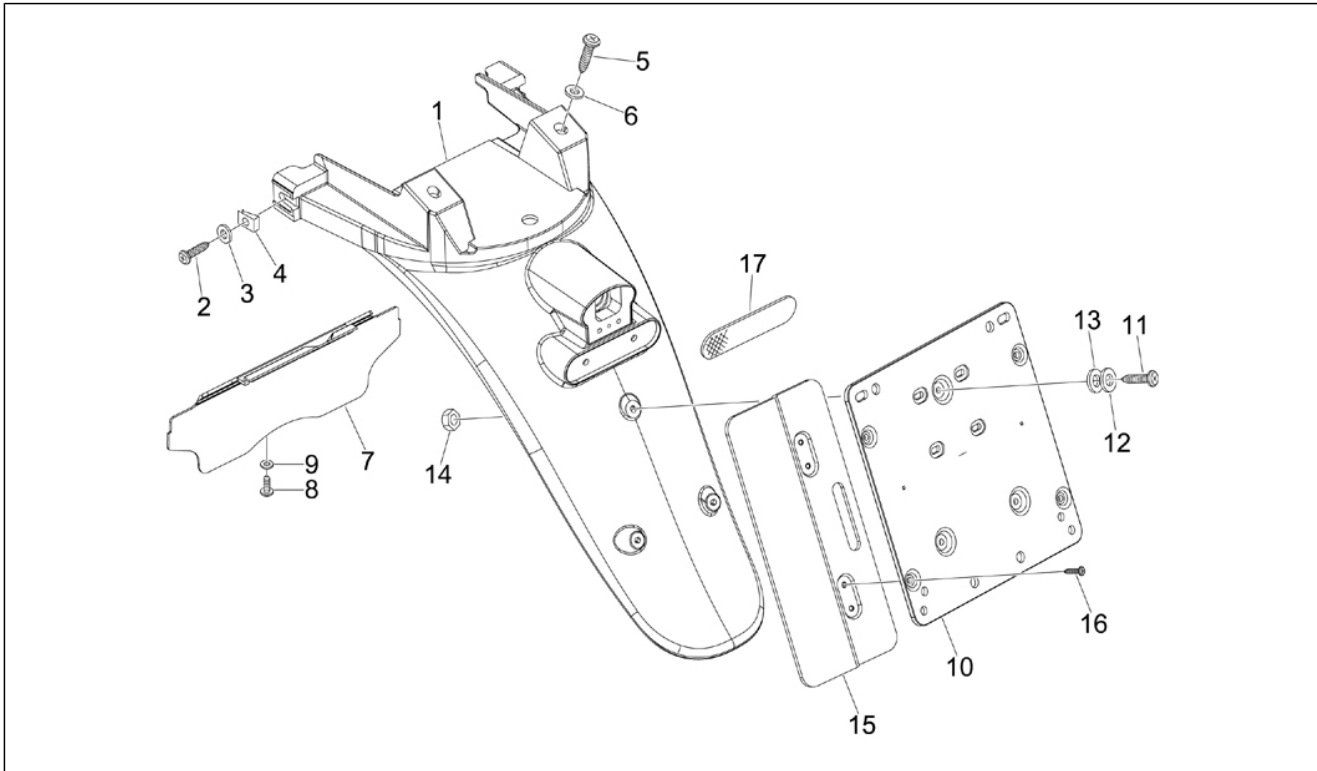
Pos.	Code	Description	Qty	Variants
22	584084	Catadiottro laterale DX	1	
23	181351	Spring plate	1	

Group	Frame - Plastic parts - Coachwork
Code	02.34
Description	Helmet huosing - Undersaddle
Service	1



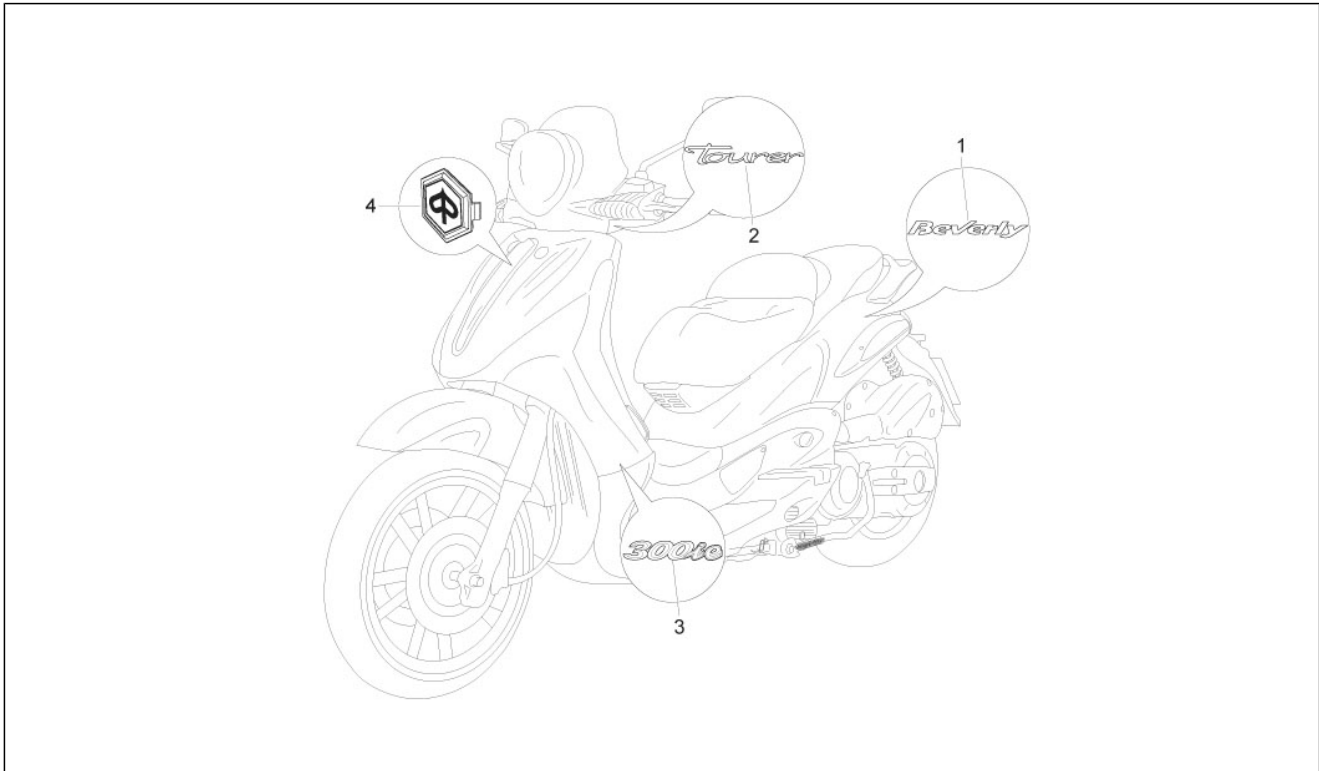
Pos.	Code	Description	Qty	Variants
1	621729	Helmet compartment	1	
2	CM017410	Spring plate	5	
3	254485	Spring plate M6	9	
4	577599400C	Undersaddle lock	1	Vehicle colour: Pearl White[566] Vehicle colour: Competition Black[98/A] Vehicle colour: Light grey metallic[711/B]
5	830056	Knurled bushing	3	
6	258249	screw 4,2x19	1	
7	272836	Screw M6x16	8	
8	293154	Ceiling bowl	1	
9	071633	Torpedo shaped lamp 12V-5W	1	
10	270723	Self tapping screw	3	
11	620756000C	Battery cover	1	Vehicle colour: Pearl White[566] Vehicle colour: Competition Black[98/A] Vehicle colour: Light grey metallic[711/B] Vehicle colour: Metallized Red[849/A]
12	258249	screw 4,2x19	2	
13	623958	Carburettor cover	1	
14	230359	Spring plate	4	
15	294770	LV socket 12V	1	
16	581412	Cover	2	
17	576793	Type-testing inspection door	1	
18	623577	Cover helmet	1	
19	090854	Strip	1	

Group	Frame - Plastic parts - Coachwork
Code	02.37
Description	Rear cover - Splash guard
Service	1



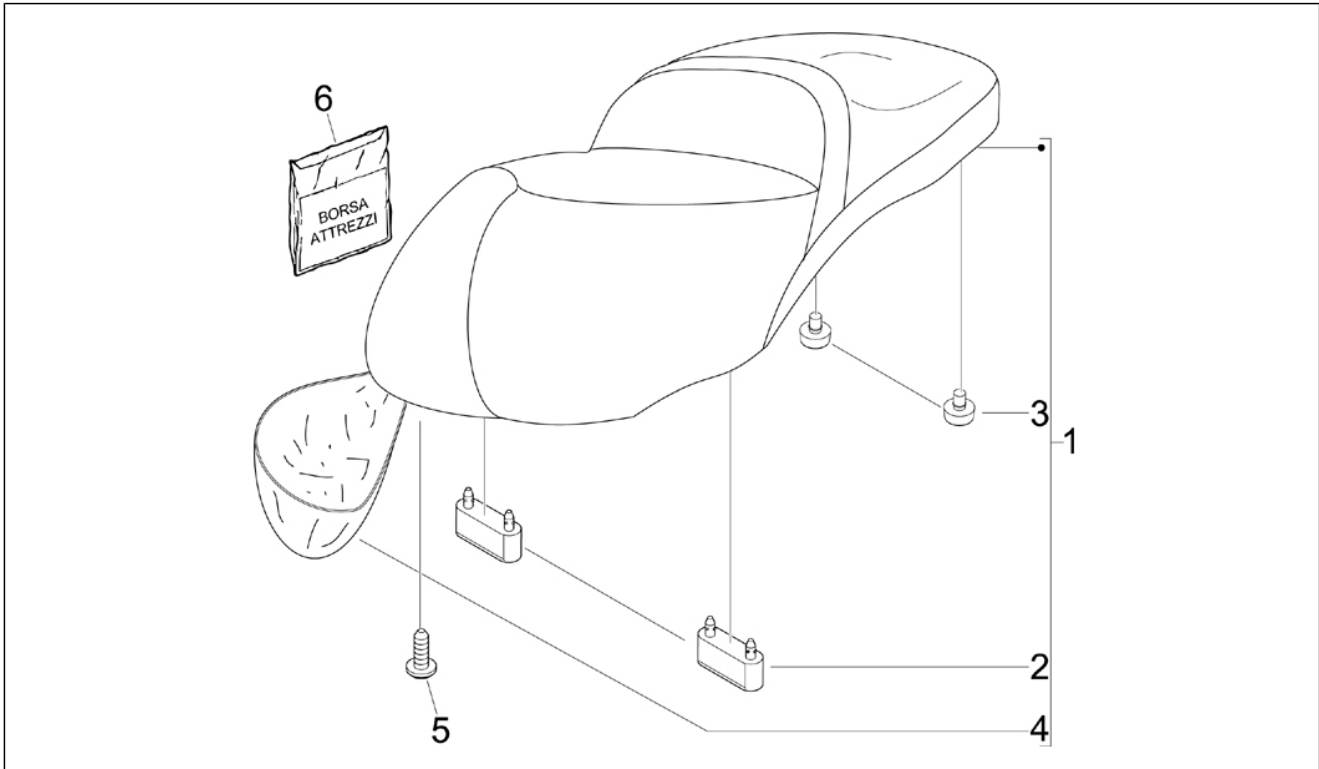
Pos.	Code	Description	Qty	Variants
1	576382000C	Rear splash guard	1	Vehicle colour: Pearl White[566] Vehicle colour: Metallized Red[849/A] Vehicle colour: Competition Black[98/A] Vehicle colour: Light grey metallic[711/B]
2	575249	Screw with tang M6	2	
3	078307	Washer	2	
4	254485	Spring plate M6	2	
5	272836	Screw M6x16	2	
6	709047	Spring washer	2	
7	577321	Splash guard	1	
8	297498	Self tapping screw M3,5x13	3	
9	013763	Flat washer 4,2x12x1	3	
10	584884	Number plate holder	1	
11	018591	screw M4x14	3	
12	013763	Flat washer 4,2x12x1	3	
13	016404	Flat washer 4,2x7,6x0,9	3	
14	020104	Nut M4	3	
15	584877	Number-plate extension	2	
16	268596	Self tapping screw D4x13	4	
17	582058	Rear retroreflector	1	

Group	Frame - Plastic parts - Coachwork
Code	02.38
Description	Plates - Emblems
Service	1



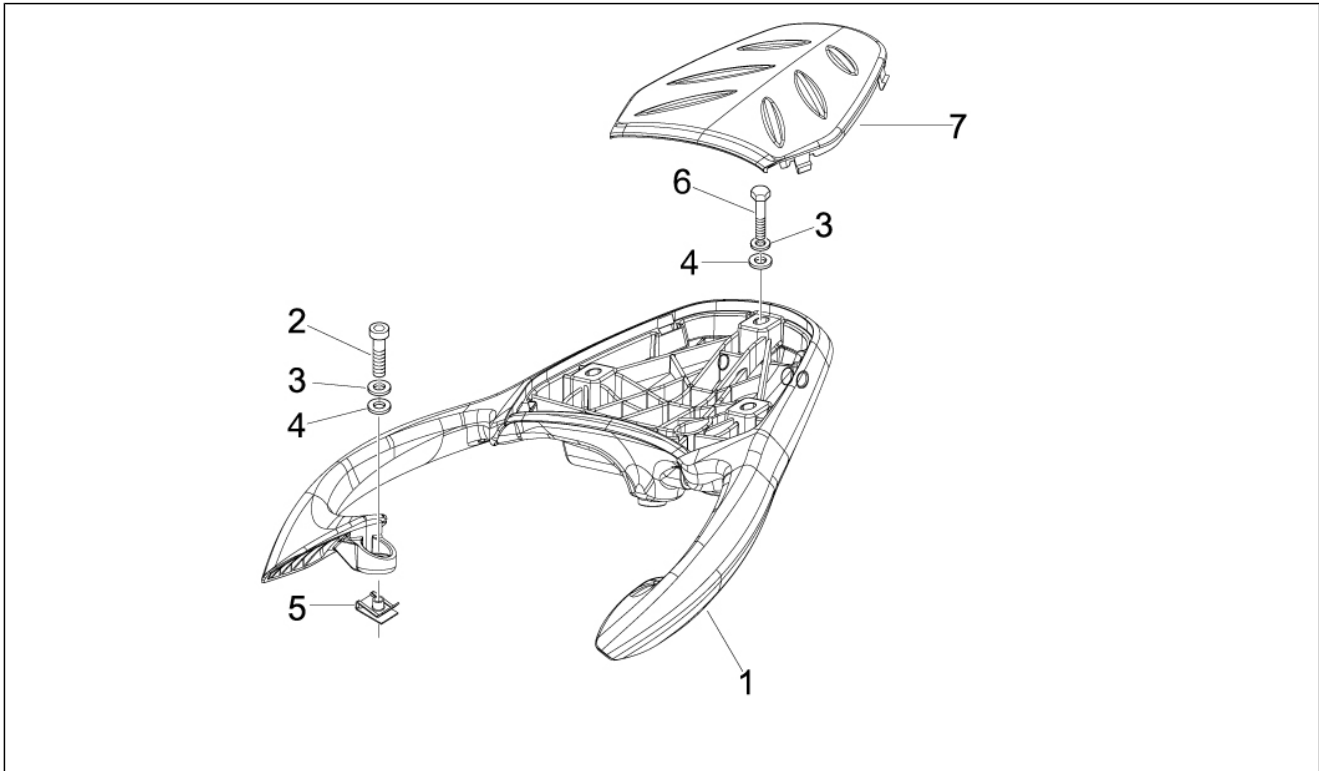
Pos.	Code	Description	Qty	Variants
1	656743	***"BEVERLY" 166X23 STICKER	2	
2	656744	***"TOURER" STICKER	1	
3	656746	***"300 ie" STICKER	2	
4	624554	Piaggio shield	1	

Group	Frame - Plastic parts - Coachwork
Code	02.39
Description	Saddle/seats - Tool roll
Service	1



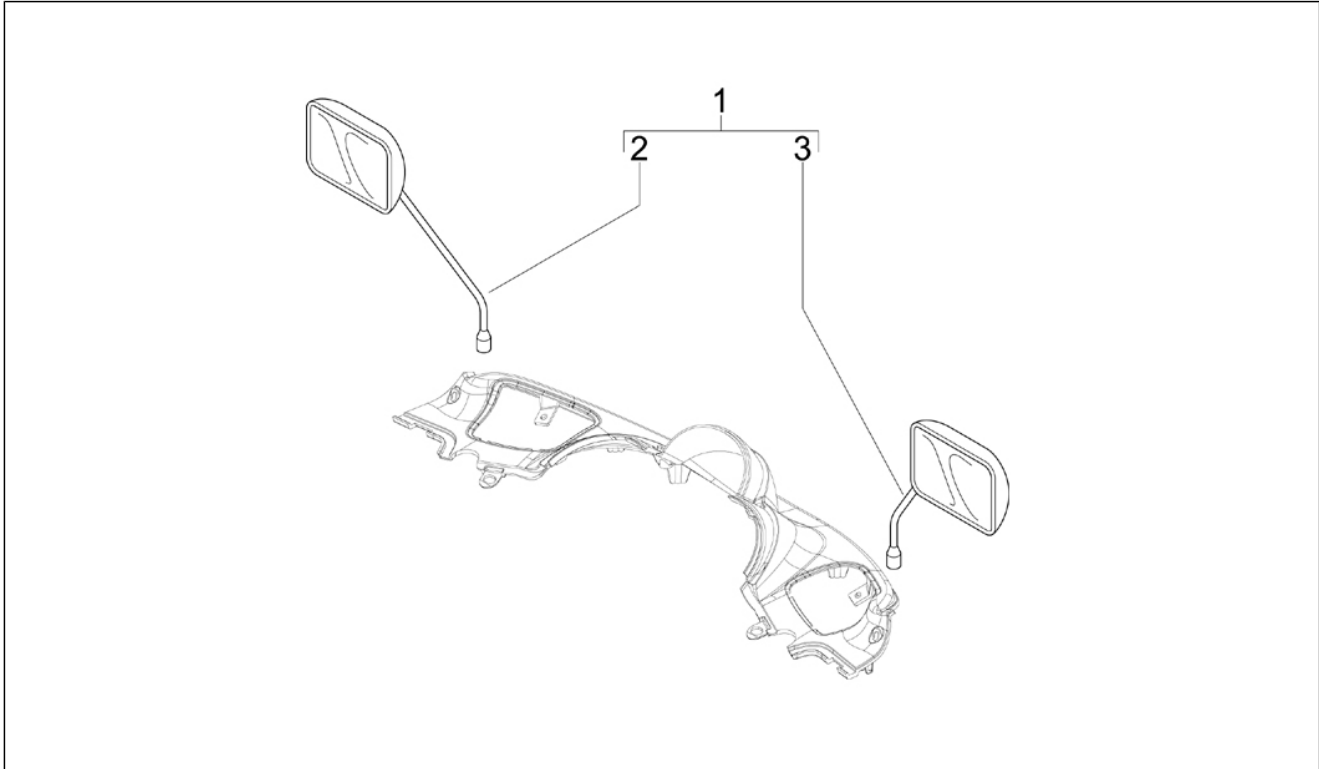
Pos.	Code	Description	Qty	Variants
1	65553001A	***SADDLE, ASSY.	1	Vehicle colour: Pearl White[566] Vehicle colour: Light grey metallic[711/B]
1	6555300EL	***SADDLE, ASSY.	1	Vehicle colour: Competition Black[98/A]
1	657106001A	Saddle assembly	1	Vehicle colour: Pearl White[566] Vehicle colour: Light grey metallic[711/B] Vehicle colour: Metallized Red[849/A]
1	65710600EL	Saddle assembly	1	Vehicle colour: Competition Black[98/A]
2	296456	Pad	2	
3	577492	Pad	2	
4	621498	Saddle guard cooling hood	1	
5	414837	Screw w/ flange M6x25	3	
6	649690	Tool set, standard l/jack	1	

Group	Frame - Plastic parts - Coachwork
Code	02.44
Description	Rear luggage rack
Service	1



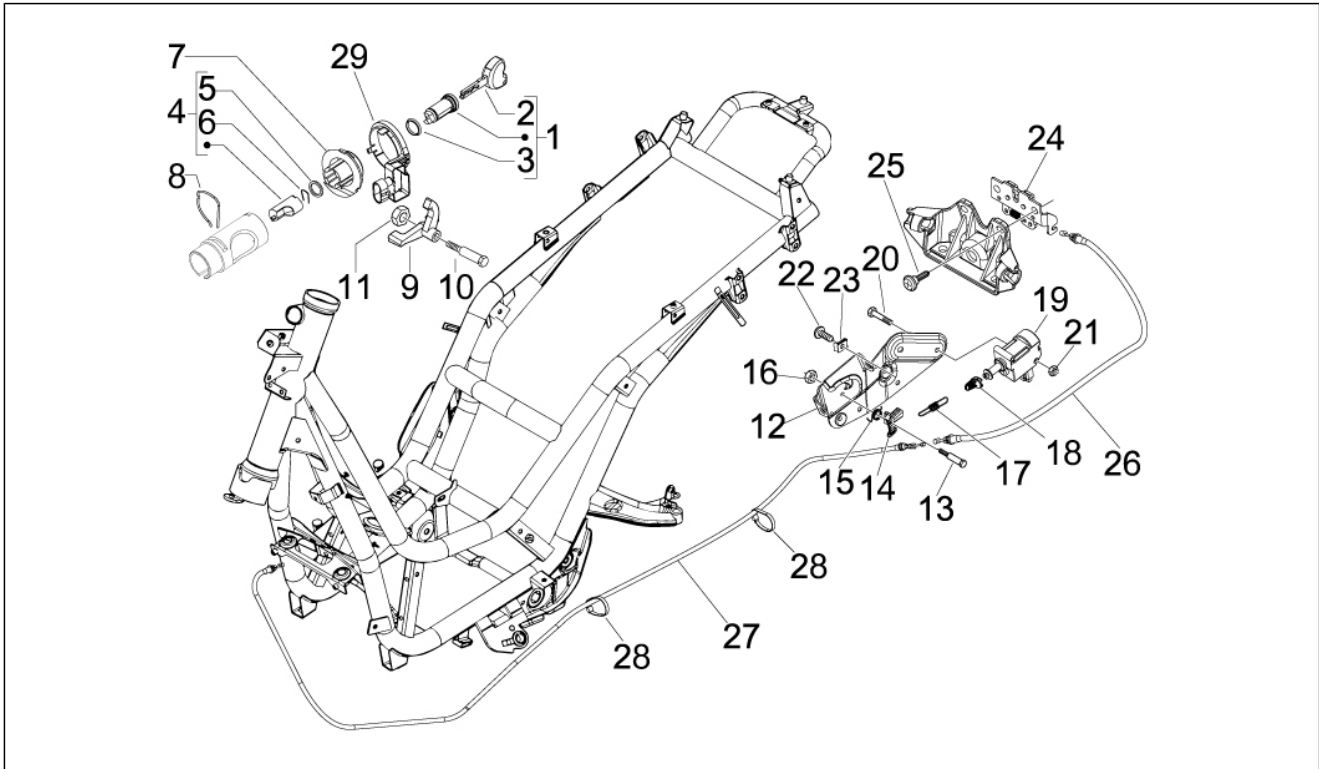
Pos.	Code	Description	Qty	Variants
1	6235250095	Luggage rack	1	Vehicle colour: Pearl White[566] Vehicle colour: Light grey metallic[711/B] Vehicle colour: Metallized Red[849/A] Vehicle colour: Competition Black[98/A]
2	015792	screw M8x30	2	
3	012540	Notched washer 14x8,3x1,8	3	
4	003038	Flat washer 8,4x18x2	3	
5	575268	Spring plate M8	2	
6	031120	screw	1	
7	623358000C	Luggage rack cover	1	Vehicle colour: Pearl White[566] Vehicle colour: Light grey metallic[711/B] Vehicle colour: Metallized Red[849/A] Vehicle colour: Competition Black[98/A]

Group	Frame - Plastic parts - Coachwork
Code	02.45
Description	Driving mirror/s
Service	1



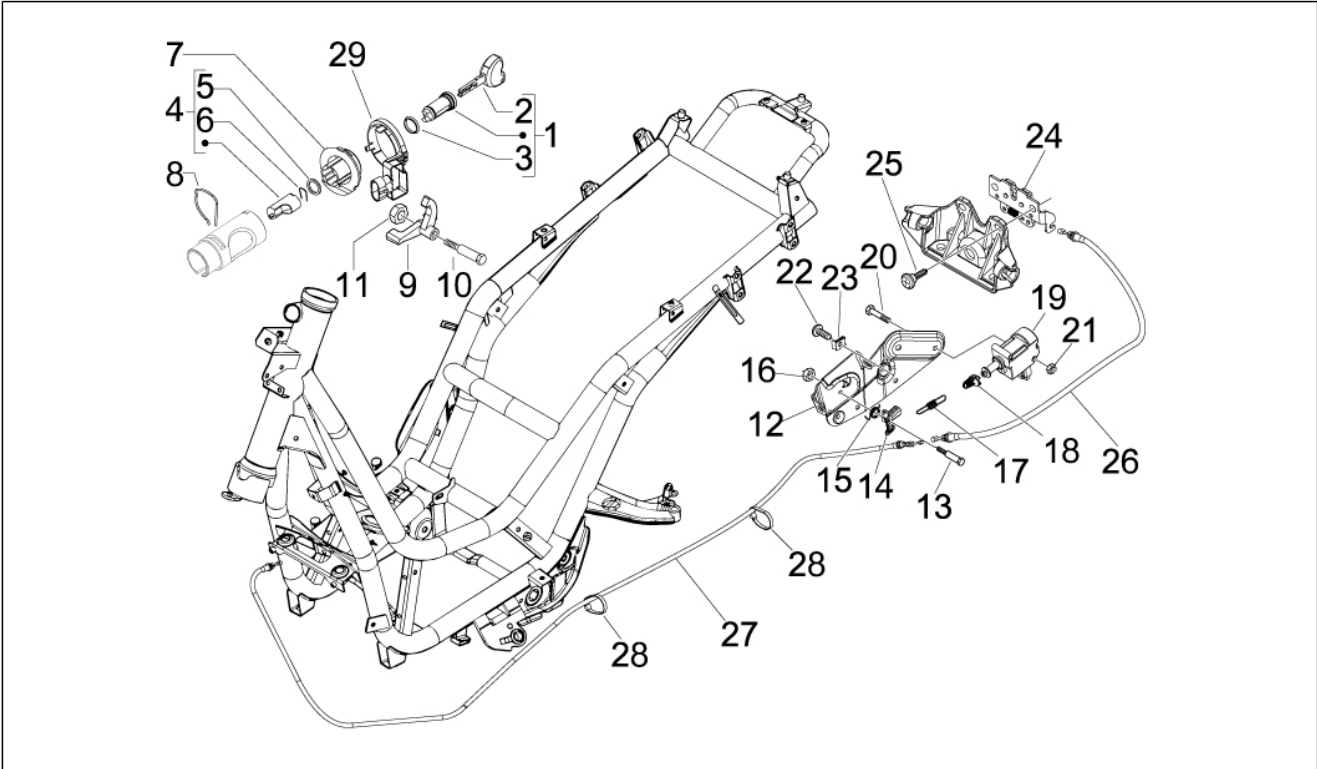
Pos.	Code	Description	Qty	Variants
1	CM071906	Mirror couple	1	
2	CM071904	***LH MIRROR	1	
3	CM071905	***RH MIRROR	1	

Group	Frame - Plastic parts - Coachwork
Code	02.46
Description	Locks
Service	1



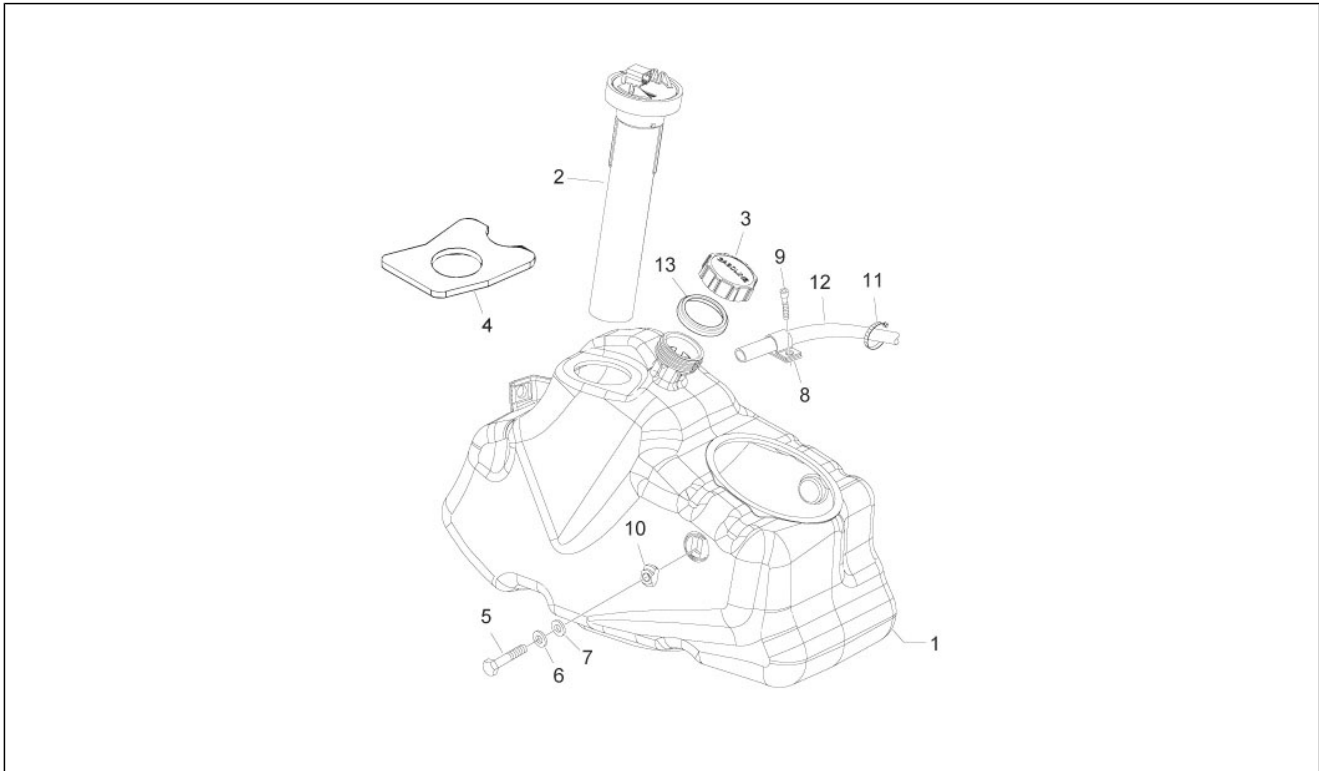
Pos.	Code	Description	Qty	Variants
1	654465	Cylinder set	1	
2	575810	Key blank	1	
3	298731	Gasket ring	1	
4	577816	Block	1	
5	298594	Flat washer	1	
6	298838	Cylinder retainer spring	1	
7	298581	Lock body	1	
8	253937	Spring	1	
9	576629	Lock lever	1	
10	299972	Special screw	1	
11	577620	Self locking nut	1	
12	577130	Saddle lock plate	1	
13	299972	Special screw	1	
14	577129	Lever	1	
15	577131	Spring	1	
16	577620	Self locking nut	1	
17	620415	Spring	1	
18	577128	Joint	1	
19	582990	Solenoid valve	1	
20	584121	Self tapping screw	2	
21	577620	Self locking nut	2	
22	259349	Screw M4,2x13	2	
23	CM017410	Spring plate	2	
24	CM023704	Saddle/flap tightening	1	
25	259348	Cap screw+shank	2	
26	CM012804	Transmission	1	
27	CM012808	Transmission	1	
28	145298	Lock-strap L=180mm	2	

Group	Frame - Plastic parts - Coachwork
Code	02.46
Description	Locks
Service	1



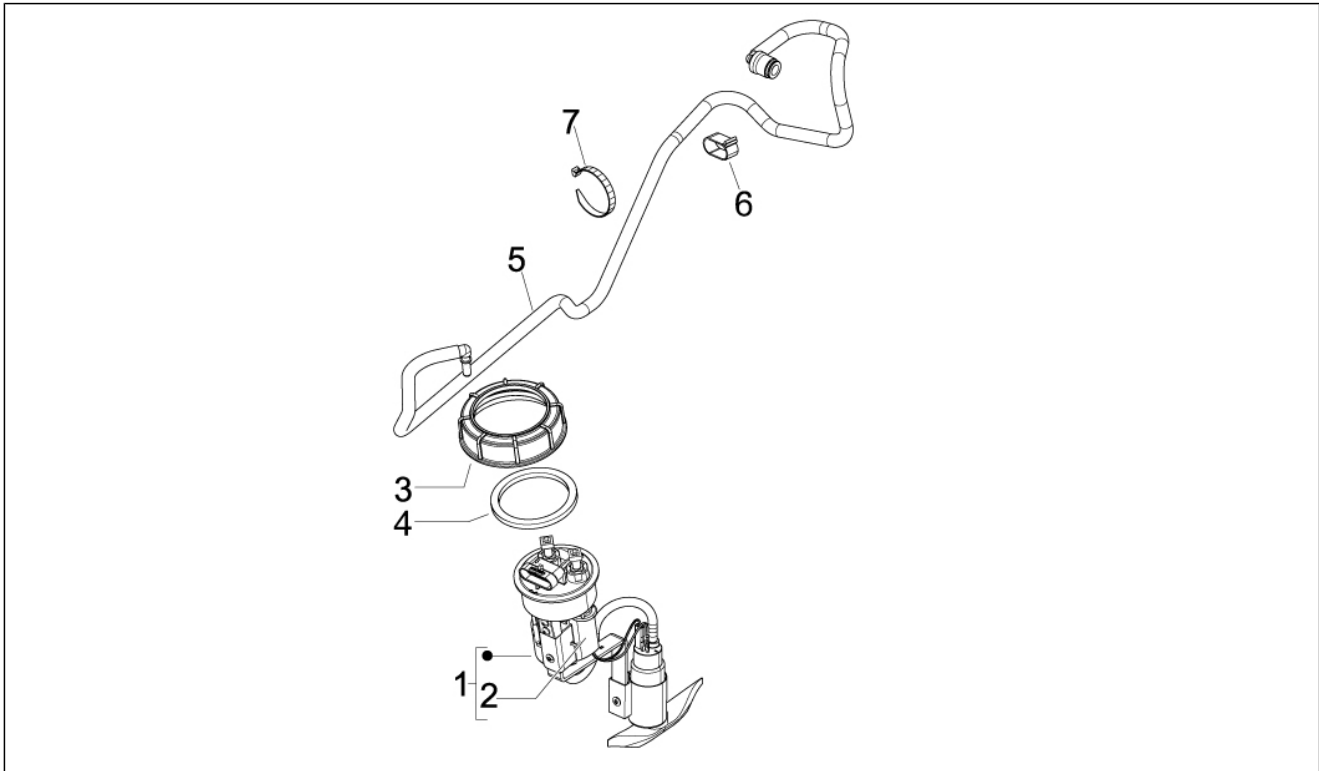
Pos.	Code	Description	Qty	Variants
29	638534	Immobilizer antenna	1	

Group	Frame - Plastic parts - Coachwork
Code	02.47
Description	Fuel tank
Service	1



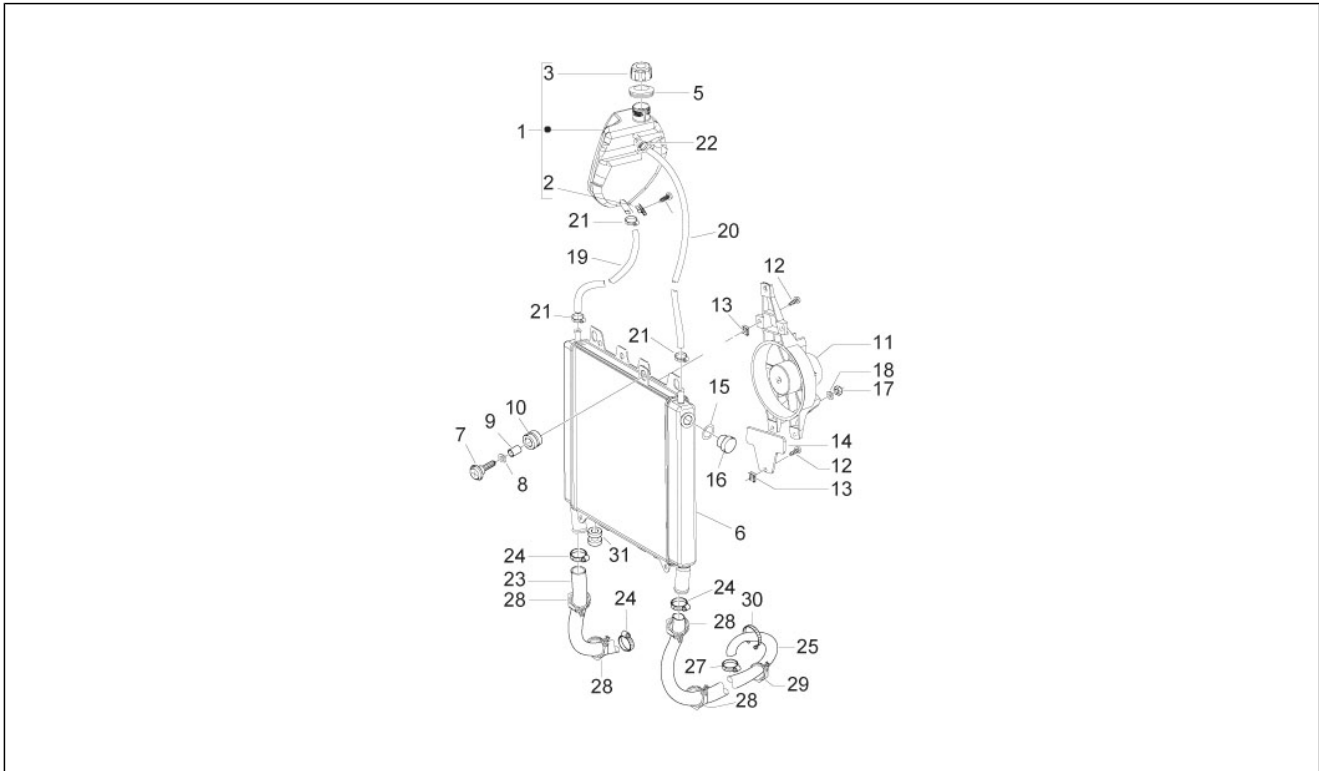
Pos.	Code	Description	Qty	Variants
1	623889	Fuel tank	1	
2	CM025711	Fuel level probe	1	
3	259832	Tank cap	1	
4	577133	Fuel recovery tank	1	
5	031086	Screw m6x12	2	
6	268304	Flat washer 6,5x21	2	
7	078307	Washer	2	
8	623743	Hose clamp	1	
9	031088	screw M6x16	1	
10	463195	Elastic drift	1	
11	257134	Lock-strap L=277	1	
12	CM011901	Fuel pipe	1	
13	258160	Tank cover gasket	1	

Group	Frame - Plastic parts - Coachwork
Code	02.53
Description	Supply system
Service	1



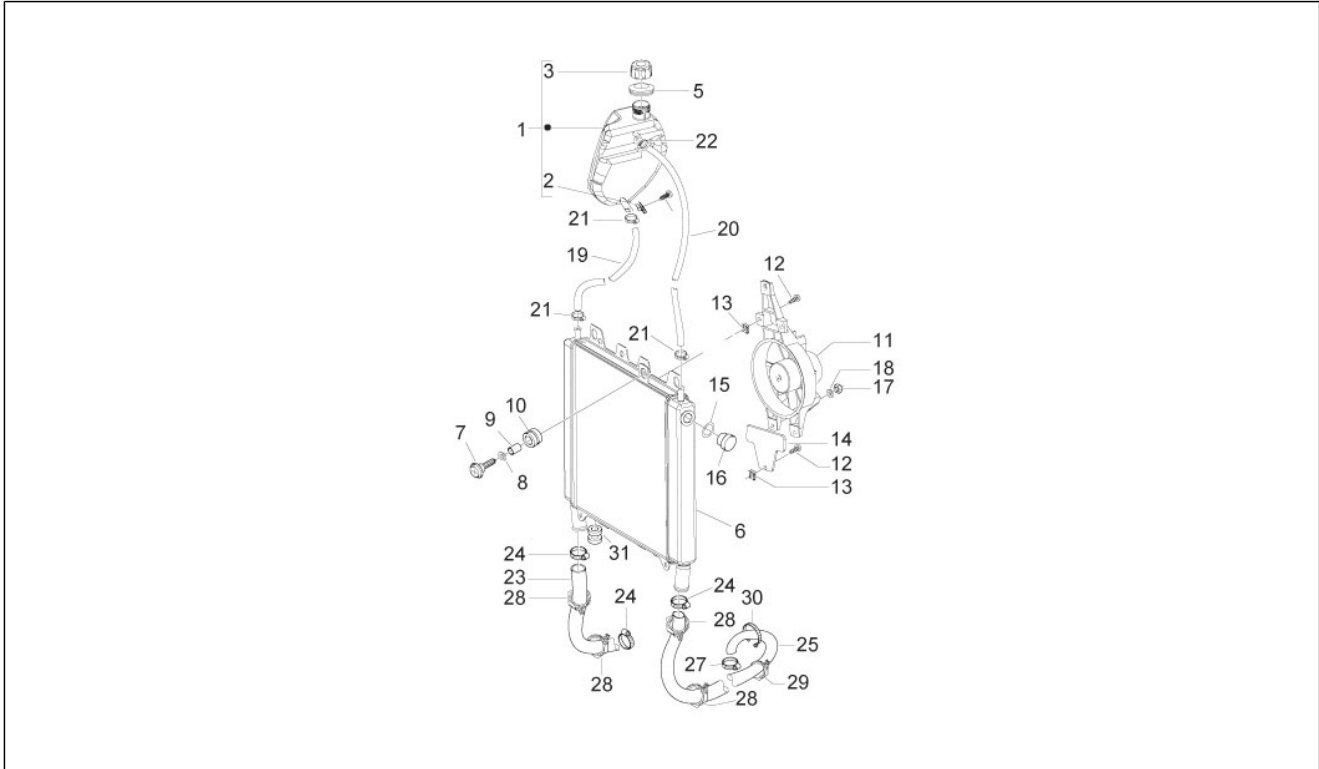
Pos.	Code	Description	Qty	Variants
1	640517	Fuel pump cpl.	1	
2	639357	Fuel pump filter	1	
3	576546	Ring nut	1	
4	576542	Gasket	1	
5	623952	Fuel feed pipe	1	
6	CM006905	Non return spring L=12	1	
7	145298	Lock-strap L=180mm	2	

Group	Frame - Plastic parts - Coachwork
Code	02.55
Description	Cooling system
Service	1



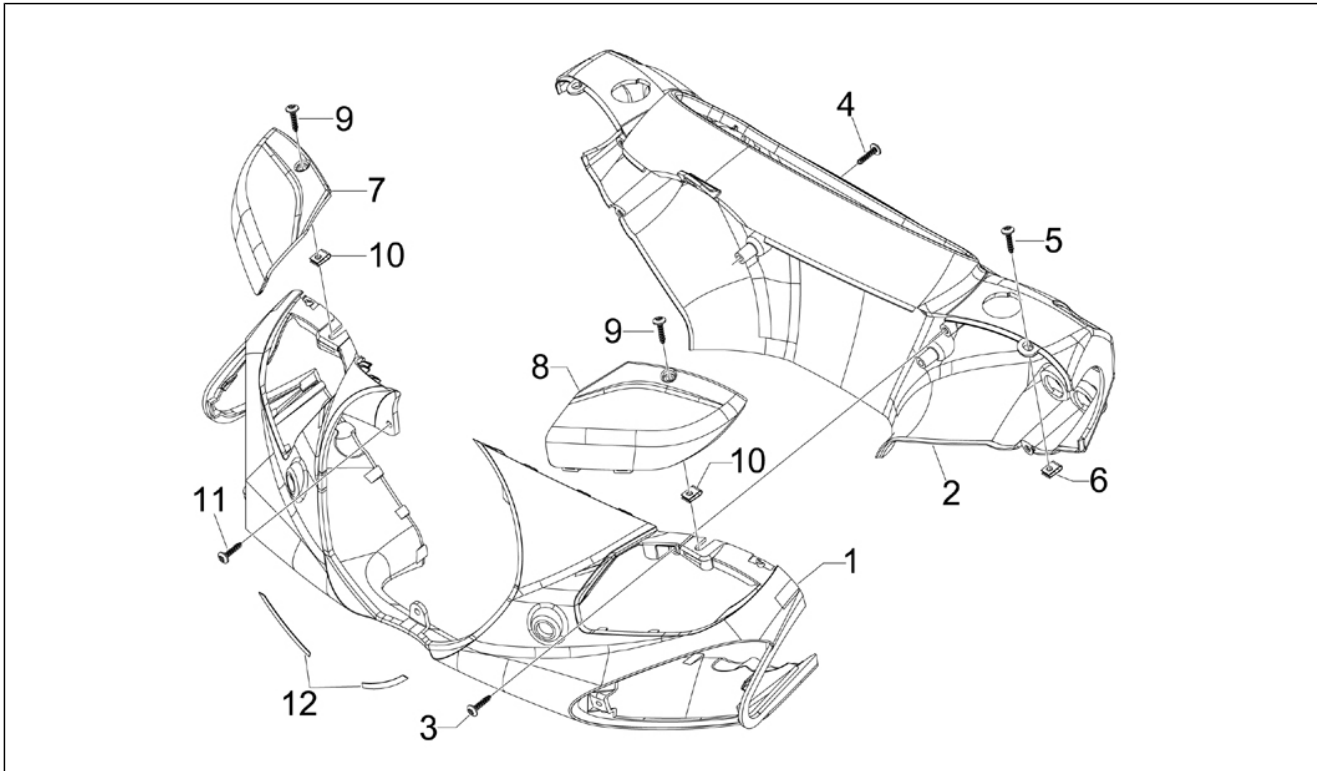
Pos.	Code	Description	Qty	Variants
1	624598	Coolant tank	1	
2	254485	Spring plate M6	3	
3	623673	Expansion tank plug	1	
4	259830	Screw m6x22	1	
5	620737	Fuel tank gasket	1	
6	57311R	Water cooler	1	
7	259830	Screw m6x22	1	
8	013092	Washer d6,2x20x1	1	
9	273288	Spacer	1	
10	351782	Upper rubber	1	
11	58170R	Electric fan	1	
12	272836	Screw M6x16	3	
13	254485	Spring plate M6	1	
14	620672	Support	1	
15	168077	Copper gasket	1	
16	621365	Cover	1	
17	195482	Self locking nut M6	2	
18	013880	Flat washer 16x6,5x1,5	2	
19	624597	***RETUN PIPE B250	1	
20	CM007015	Cooler-tank return pipe	1	
21	CM001914	Hose clamp	3	
22	CM001904	Hose clamp	1	
23	656442	***PUMP RADIATOR JOINT PIPE	1	
24	CM001915	Hose clamp	2	
25	623949	Head coupling tube	1	
27	CM001922	Hose clamp	2	
28	CM006903	Pipes/cables retainer spring	4	
29	582153	Non return spring	1	

Group	Frame - Plastic parts - Coachwork
Code	02.55
Description	Cooling system
Service	1



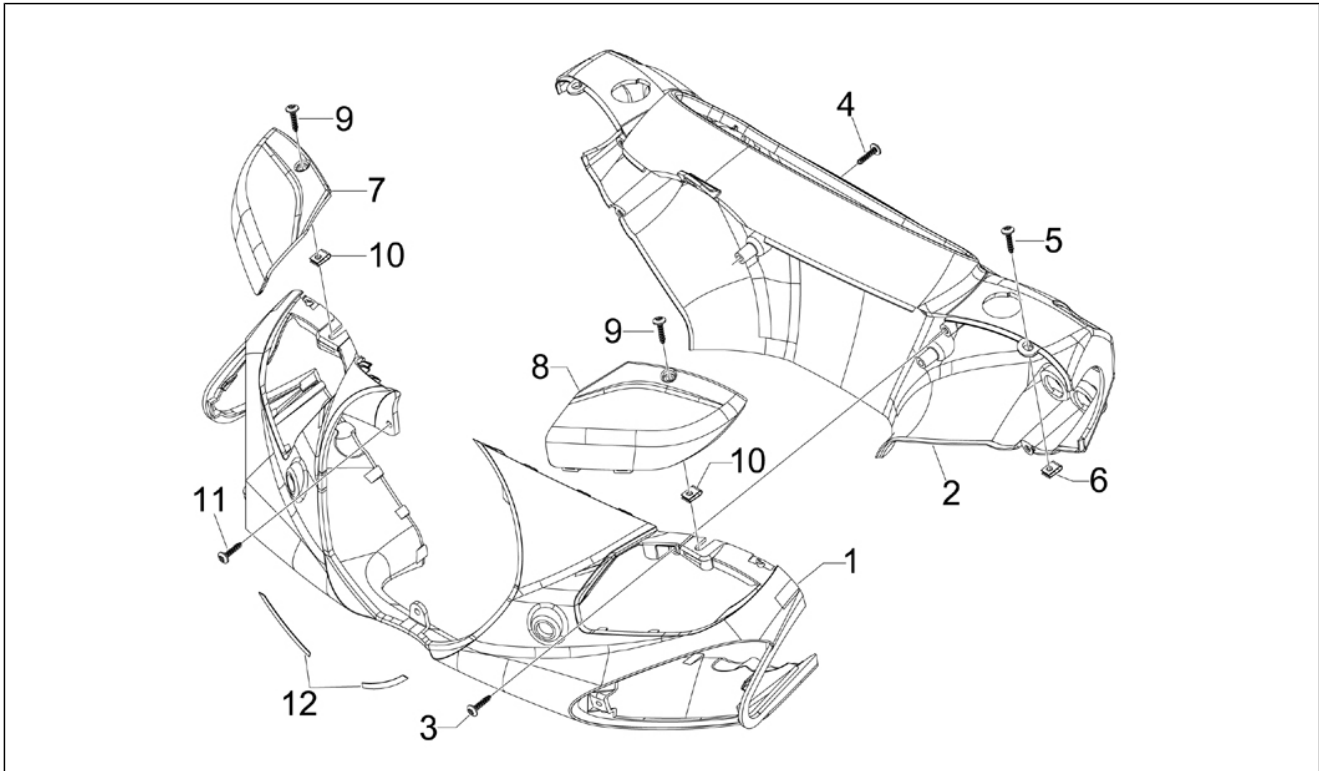
Pos.	Code	Description	Qty	Variants
30	145298	Lock-strap L=180mm	1	
31	258904	Lower rubber	2	

Group	Handlebars/Steering
Code	03.01
Description	Handlebars coverages
Service	1



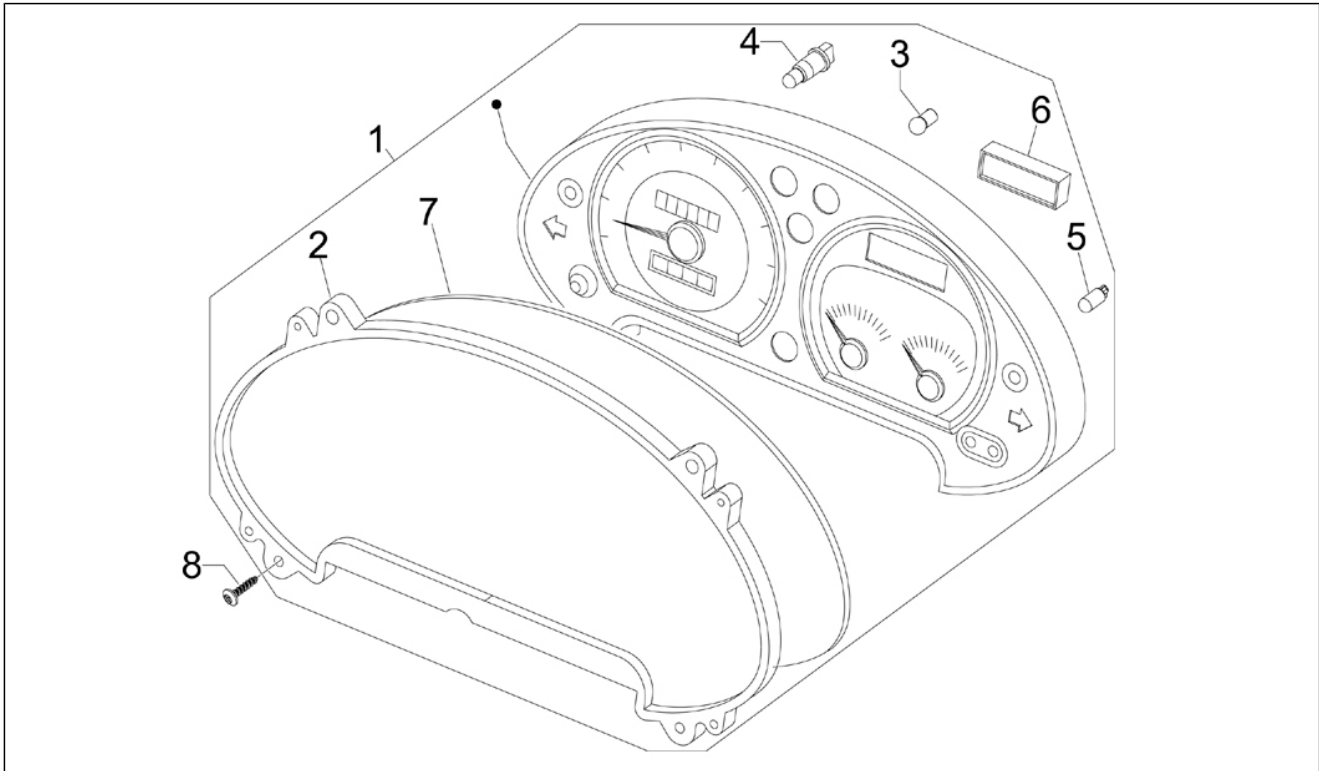
Pos.	Code	Description	Qty	Variants
1	599412	Front handlebar cover	1	
1	59941200BT	Front handlebar cover	1	Vehicle colour: Pearl White[566]
1	59941200DE	Front handlebar cover	1	
1	59941200EU	Front handlebar cover	1	Vehicle colour: Light grey metallic[711/B]
1	59941200RR	Front handlebar cover	1	Vehicle colour: Metallized Red[849/A]
1	59941200XN2	Front handlebar cover	1	Vehicle colour: Competition Black[98/A]
2	599413	Rear handlebars cover	1	
2	59941300BT	Rear handlebars cover	1	Vehicle colour: Pearl White[566]
2	59941300DE	Rear handlebars cover	1	
2	59941300EU	Rear handlebars cover	1	Vehicle colour: Light grey metallic[711/B]
2	59941300RR	Rear handlebars cover	1	Vehicle colour: Metallized Red[849/A]
2	59941300XN2	Rear handlebars cover	1	Vehicle colour: Competition Black[98/A]
3	267115	Self tapping screw M4x16	2	
4	267115	Self tapping screw M4x16	2	
5	014754	Self tapping screw 4,2x25*	2	
6	CM017409	Spring plate	2	
7	598421	RH pump cover	1	
7	59842100DE	RH pump cover	1	
7	59842140BT	RH pump cover	1	Vehicle colour: Pearl White[566]
7	59842140DE	RH pump cover	1	
7	59842140EU	RH pump cover	1	Vehicle colour: Light grey metallic[711/B]
7	59842140RR	RH pump cover	1	Vehicle colour: Metallized Red[849/A]
7	59842140XN2	RH pump cover	1	Vehicle colour: Competition Black[98/A]
8	598422	LH pump cover	1	
8	59842200DE	LH pump cover	1	
8	59842240BT	LH pump cover	1	Vehicle colour: Pearl White[566]
8	59842240DE	LH pump cover	1	
8	59842240EU	LH pump cover	1	Vehicle colour: Light grey metallic[711/B]

Group	Handlebars/Steering
Code	03.01
Description	Handlebars coverages
Service	1



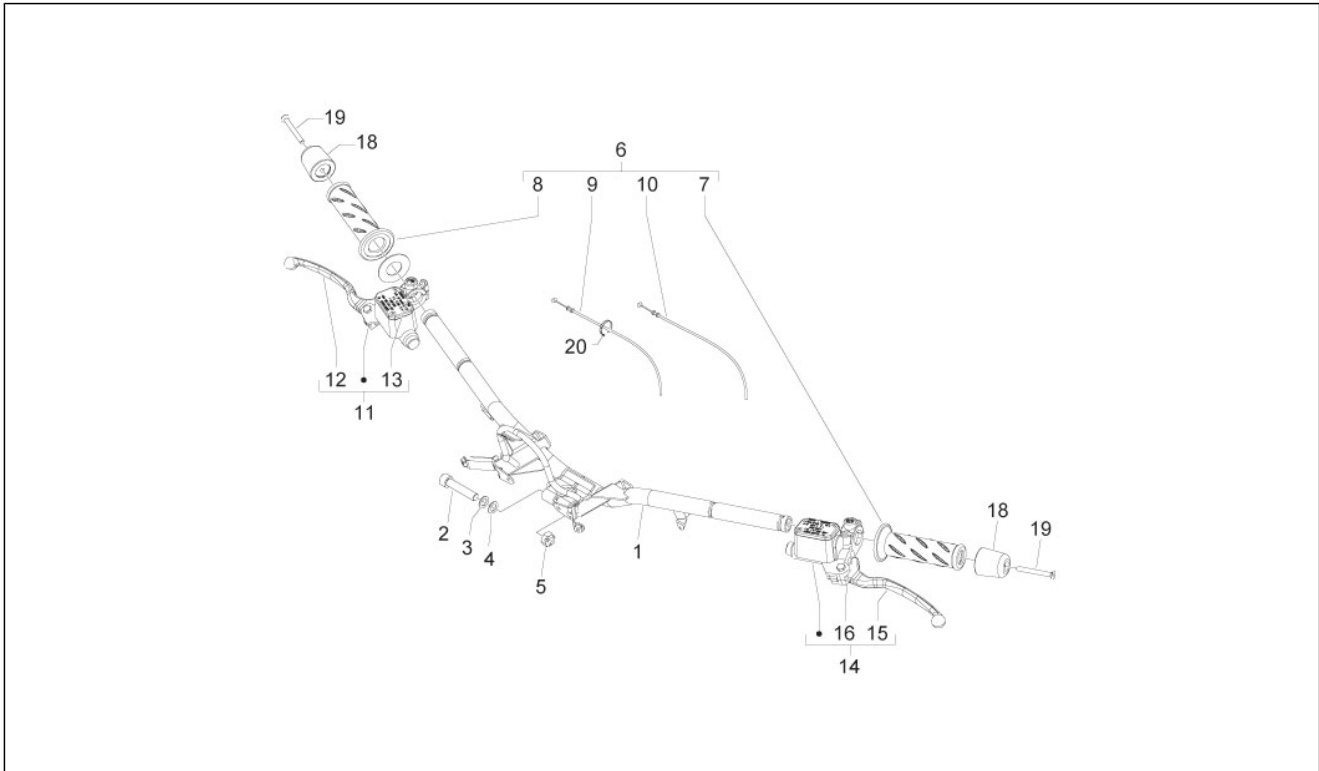
Pos.	Code	Description	Qty	Variants
8	59842240RR	LH pump cover	1	Vehicle colour:Metallized Red[849/A]
8	59842240XN2	LH pump cover	1	Vehicle colour:Competition Black[98/A]
9	581957	screw	2	
10	CM017418	Plate	2	
11	270793	TBCIC Screw 3,8x16	3	
12	584589	Gasket	2	

Group	Handlebars/Steering
Code	03.02
Description	Meter combination - Cruscotto
Service	1



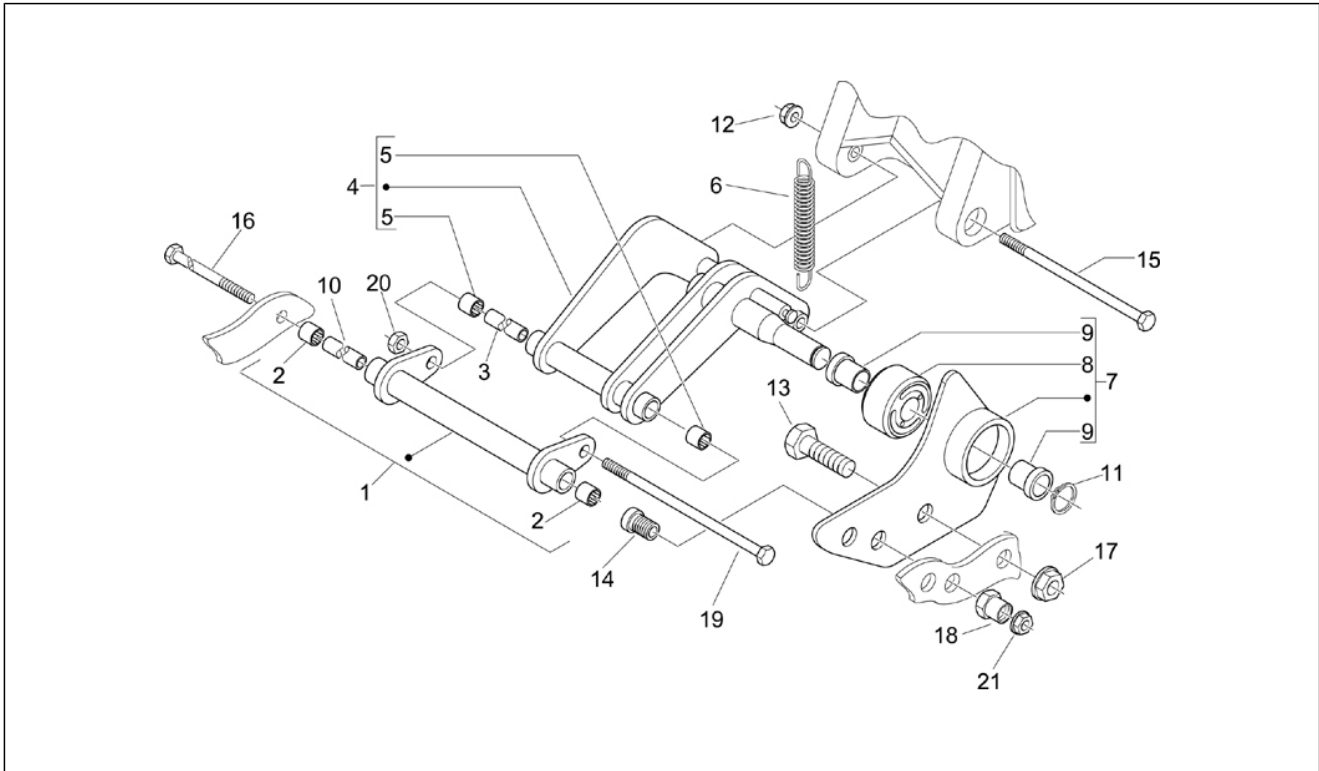
Pos.	Code	Description	Qty	Variants
1	58184R	Meter combination	1	
2	497419	Instrument group cover	1	
3	164634	12v-1.2w bulb	8	
4	229892	Bulb 12v-2w	1	
5	581134	Lamp	2	
6	640472	Orologio (Pricol)	1	
6	641486	Orologio (Marelli)	1	
7	640513	Trasparente gruppo strumenti (Pricol)	1	
7	641484	Trasparente gruppo strumenti (Marelli)	1	
8	270793	TBCIC Screw 3,8x16	4	

Group	Handlebars/Steering
Code	03.06
Description	Handlebars - Master cil.
Service	1



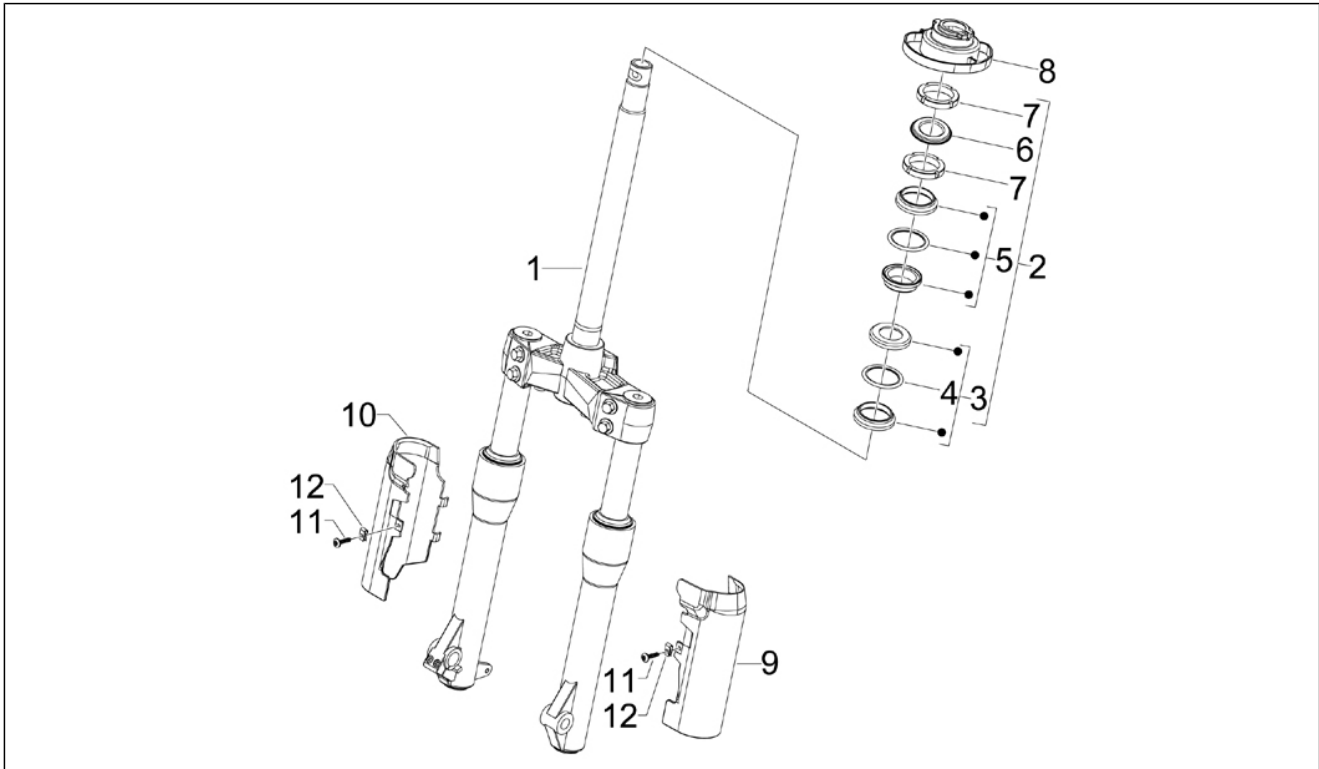
Pos.	Code	Description	Qty	Variants
1	599348	Handlebar	1	
2	655554	Hex socket screw M10x65	1	
3	012543	Flat elastic washer with internal tothing 17x10,3x2	1	
4	178790	Flat washer 22x10,3x2,5	1	
5	015330	Nut M10	1	
6	CM079723	Throttle control sleeve assembly	1	
7	583256	LH hand grip	1	
8	583255	RH hand grip	1	
9	650541	Throttle opening transmission	1	
10	650542	Throttle closing transmission	1	
11	56359R	Brake m.cyl. DX	1	
12	600475	Brake lever (Heng Tong)	1	
12	646829	Brake lever (Brembo)	1	
13	497343	U-bolt (Brembo)	1	
13	600478	U-bolt (Heng Tong)	1	
14	56360R	Brake m.cyl. SX	1	
15	600475	Brake lever (Heng Tong)	1	
15	646829	Brake lever (Brembo)	1	
16	497343	U-bolt (Brembo)	1	
16	600478	U-bolt (Heng Tong)	1	
18	582034	Anti vib.weight trailing	2	
19	271434	screw M6x55	2	
20	145298	Lock-strap L=180mm	4	

Group	Suspensions - Wheels
Code	04.01
Description	Swinging arm
Service	1



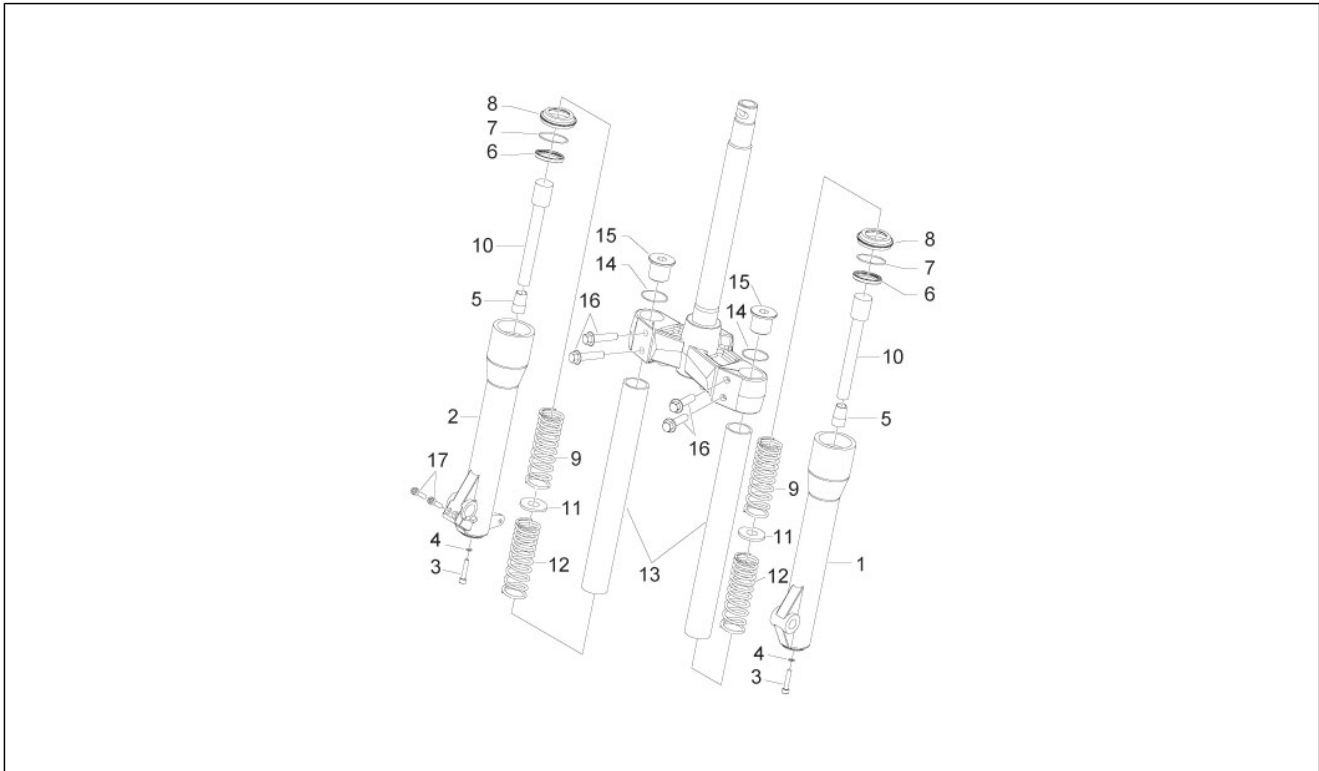
Pos.	Code	Description	Qty	Variants
1	56443R	Chassis side swinging arm	1	
2	597374	Roller cage	2	
3	CM067801	Spacer L=183 mm	1	
4	56489R	***COMPLETE WISHBONE ENGINE SIDE	1	
5	597374	Roller cage	2	
6	597490	Spring	1	
7	600537	Bracket	1	
8	272750	Silent-block	1	
9	273460	Bush	2	
10	CM067803	Spacer L=228 mm	1	
11	006416	Circlip	1	
12	564878	Nut	1	
13	597893	Hex socket screw	1	
14	597774	Bush	1	
15	597081	screw	1	
16	597080	Hex socket screw	1	
17	564878	Nut	1	
18	564611	Nut m22x2 h=8	1	
19	271807	Hex screw M10x202	1	
20	002440	Self locking nut M10	2	

Group	Suspensions - Wheels
Code	04.02
Description	Fork/steering tube - Steering bearing unit
Service	1



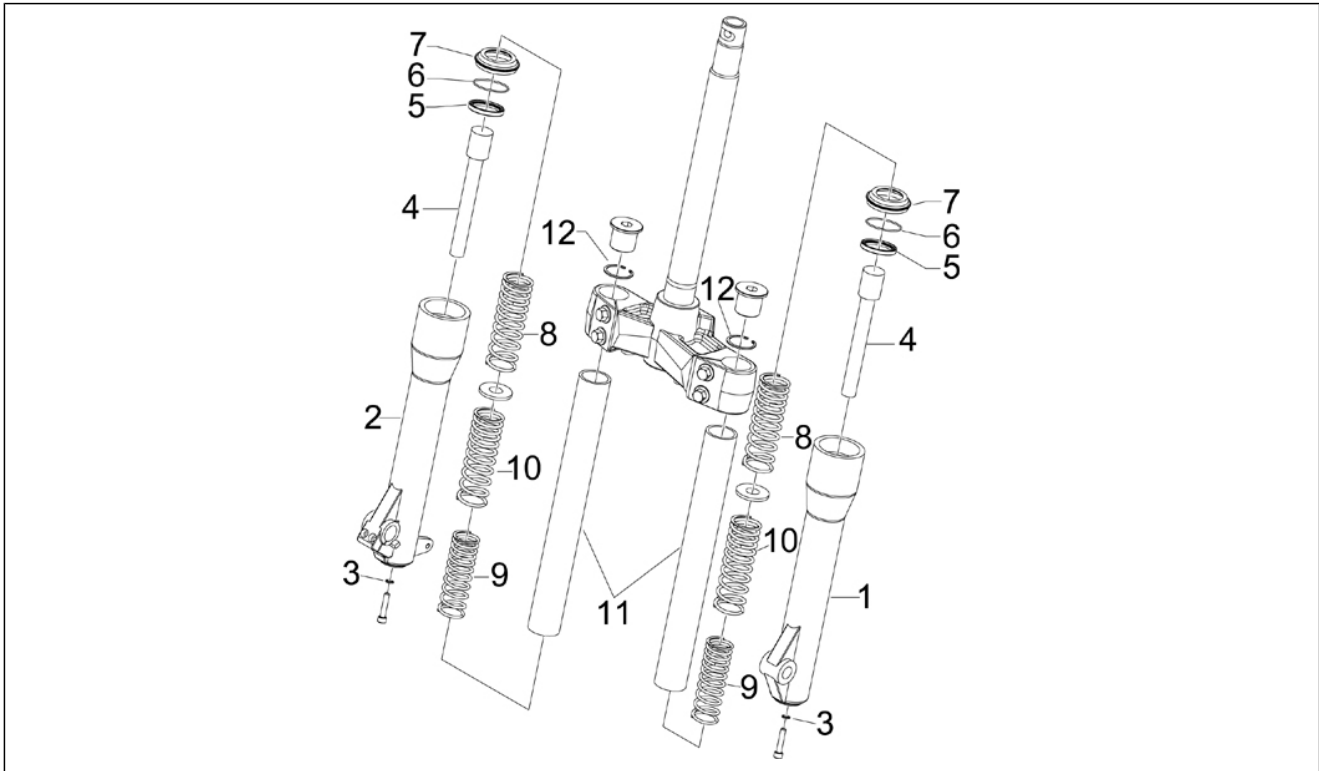
Pos.	Code	Description	Qty	Variants
1	56269R	Front fork assembly	1	
2	600872	Steering bearing assy.	1	
3	650075	Lower steering bearing	1	
3	CM061304	Lower steering bearing	1	
4	564260	Ball cage	1	
5	600750	Upper thrust ring	1	
6	582787	Steering security plate	1	
7	011109	Steering tube ring nut	2	
8	583787	Collar	1	
9	649615	Left sleeve cover	1	
10	649614	Right sleeve cover	1	
11	259349	Screw M4,2x13	2	
12	CM017410	Spring plate	2	

Group	Suspensions - Wheels
Code	04.03
Description	Fork's components (Kayaba)
Service	1



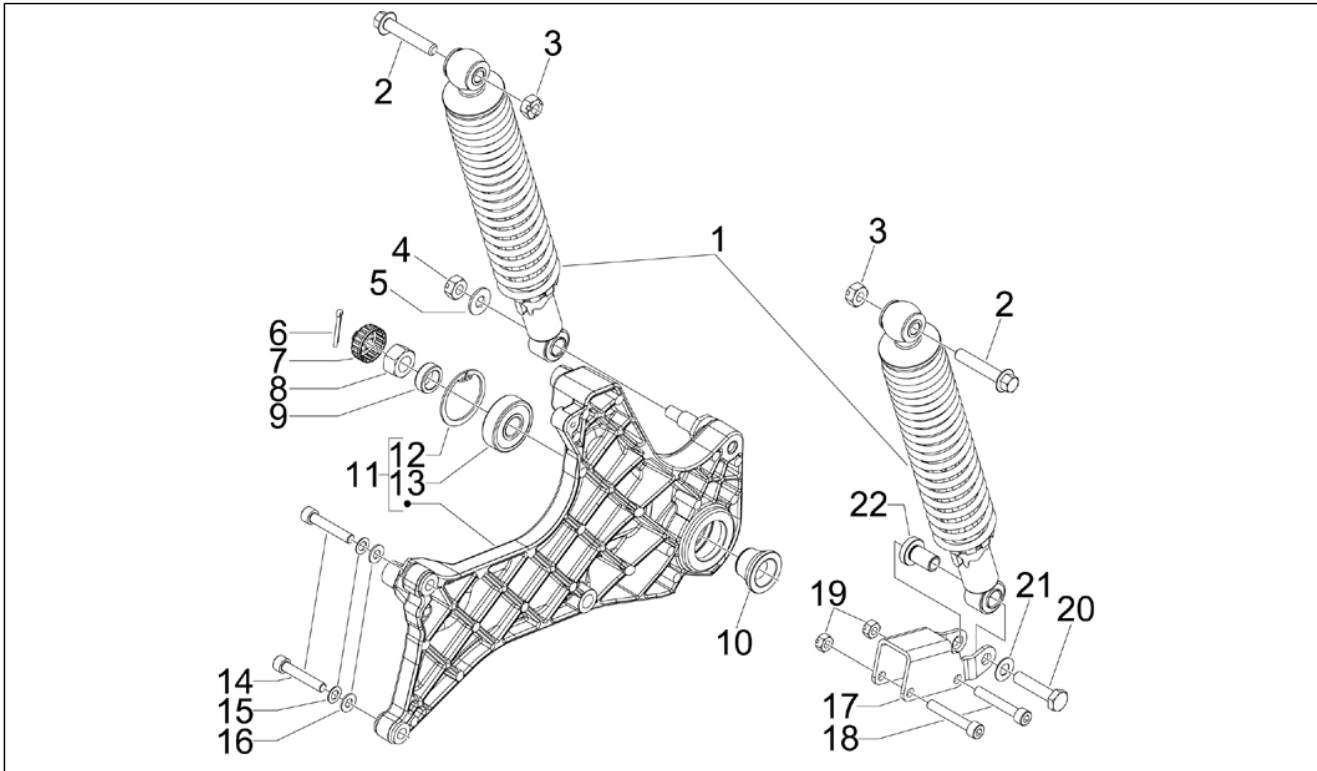
Pos.	Code	Description	Qty	Variants
1	497184	Left fork leg	1	
2	601596	Right fork leg	1	
3	497012	screw	2	
4	497013	Gasket	2	
5	497011	Oil plug	2	
6	600268	Oil seal	2	
7	497132	Gasket ring	2	
8	600269	Dust cover ring ABS	2	
9	497188	Spring	2	
10	497186	Cylinder	2	
11	497189	Cup	2	
12	497190	Spring	2	
13	497187	Sleeve	2	
14	497017	O-ring	2	
15	497018	Plug	2	
16	600270	screw	4	
17	497007	screw	2	

Group	Suspensions - Wheels
Code	04.04
Description	Fork's components (Escorts)
Service	1



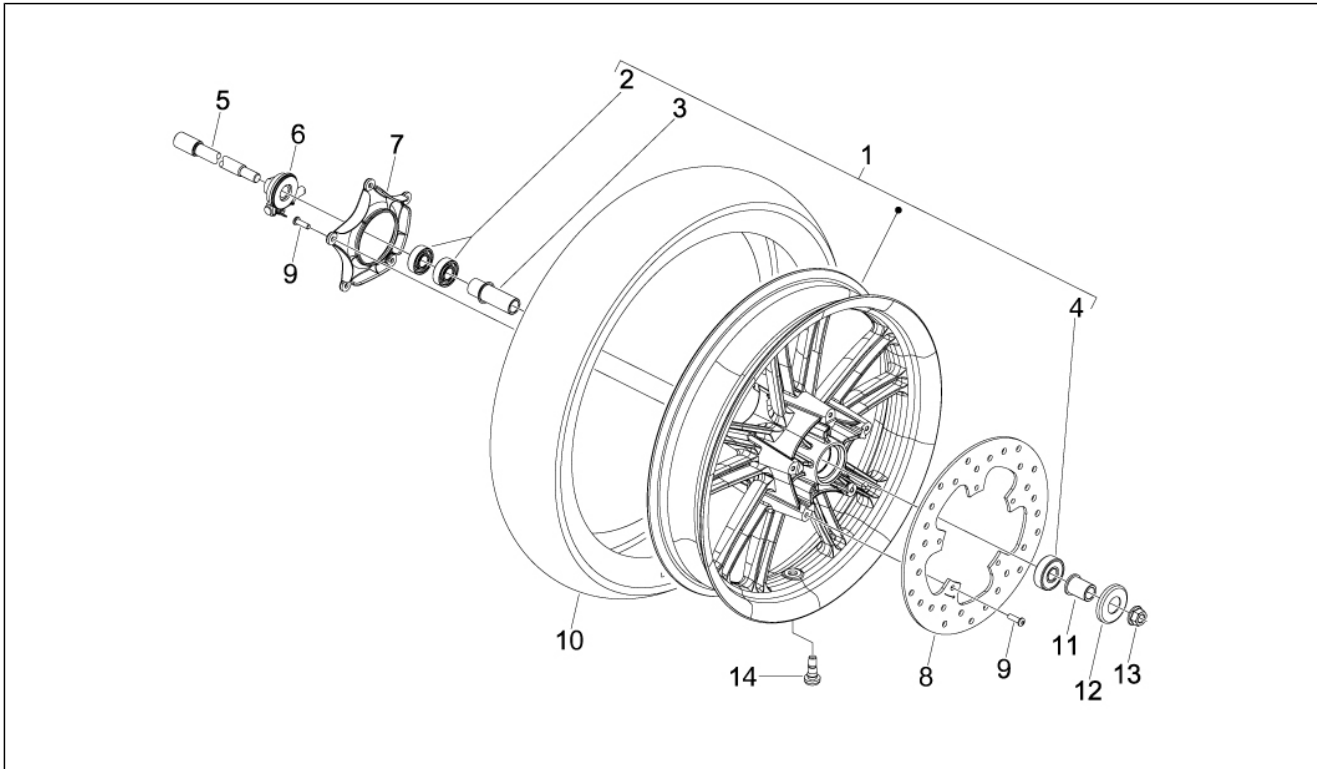
Pos.	Code	Description	Qty	Variants
1	646522	***SLEEVE LH	1	
2	646521	***SLEEVE RH	1	
3	600611	Gasket	2	
4	646520	***FORK CILINDER	2	
5	600608	Fork oil seal	2	
6	600612	Ring	2	
7	600613	Dust cover	2	
8	646527	***SPRING	2	
9	646525	***SPRING	2	
10	646523	***SPRING	2	
11	646519	***SUSP. STEM B125	2	
12	600615	O-ring	2	

Group	Suspensions - Wheels
Code	04.10
Description	Rear suspension - Shock absorber/s
Service	1



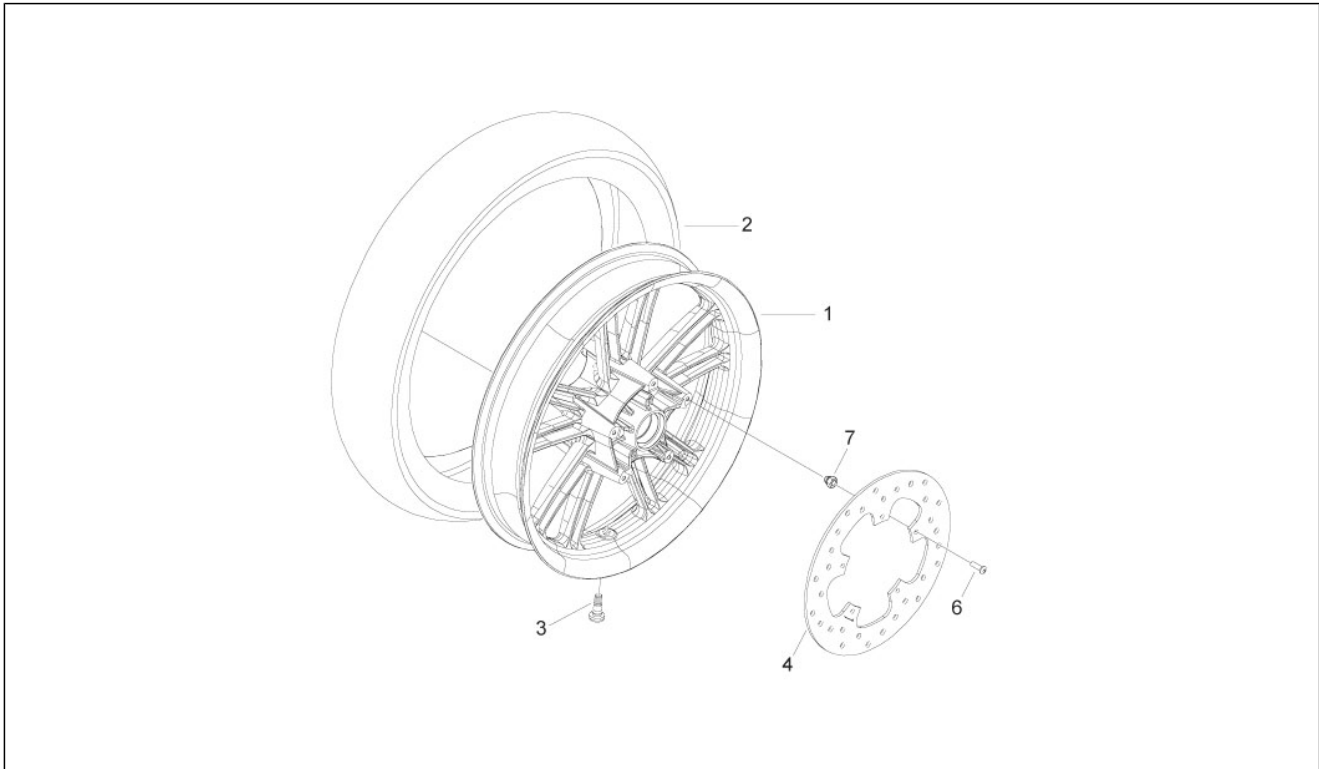
Pos.	Code	Description	Qty	Variants
1	56174R	Shock absorber	2	
2	268158	Screw w/ flange M10	2	
3	002440	Self locking nut M10	2	
4	002440	Self locking nut M10	1	
5	016627	Washer	1	
6	012789	Split pin	1	
7	194423	Cappello ferma dado	1	
8	563728	Nut M16x13	1	
9	597528	Spacer	1	
10	848039	Wheel spacer	1	
11	599867	Suspension arm	1	
12	006647	Circlip	1	
13	82545R	Ball bearing	1	
14	826298	Hex socket screw	2	
15	013776	Washer	2	
16	709047	Spring washer	2	
17	597979	plate	1	
18	844483	Hex socket screw M8x50	2	
19	020008	Nut M8	2	
20	015578	Hex screw M10x45	1	
21	709646	Washer	1	
22	597980	Bush	1	

Group	Suspensions - Wheels
Code	04.11
Description	Front wheel
Service	1



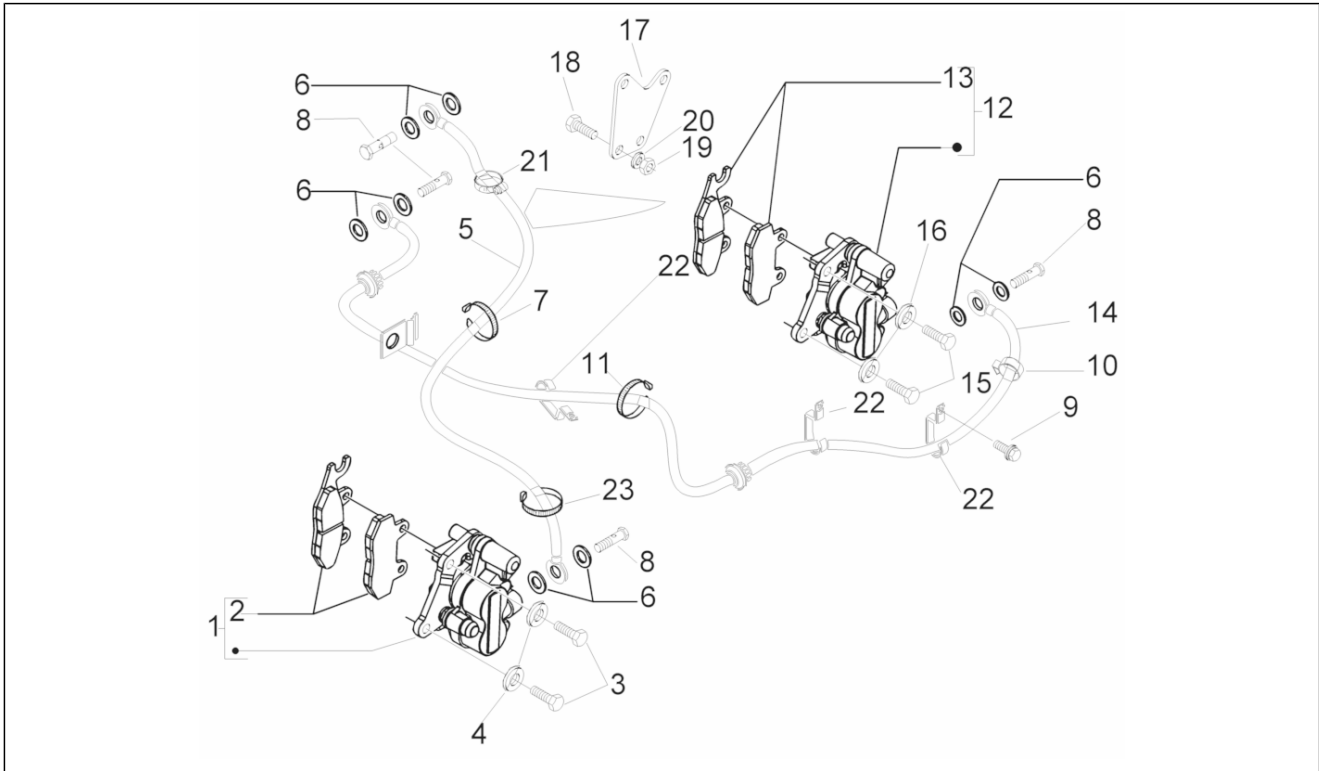
Pos.	Code	Description	Qty	Variants
	649537	External spacer	1	
	649548	Cup	1	
1	56401R	Front wheel complete	1	
2	649910	Bearing	2	
3	597291	Spacer	1	
3	601988	Complete spacer	1	
4	649911	Radial ball bearing	1	
5	599357	Front wheel axle	1	
6	56147R	Spedometer socket	1	
7	6002330043	Wheel hub cap	1	Vehicle colour: NCPL000U01[NCPL000U01] Vehicle colour: Pearl White[566] Vehicle colour: Light grey metallic[711/B] Vehicle colour: Metallized Red[849/A] Vehicle colour: Competition Black[98/A]
8	56397R	Brake disc	1	
9	601031	screw	10	
10	601923	Tyre (Pirelli) 110/70-16"	1	
10	601924	(Michelin) Tyre 110/70-16"	1	
10	647668	Tyre (Chen Shin) 110/70-16"	1	
10	650934	Tyre (Pirelli) 110/70 R16"	1	
10	666295	(Michelin) Tyre 110/70-16"	1	
11	564448	Short spacer	1	
12	564489	RH spacer	1	
13	271740	Nut M12	1	
14	597679	Tubeless valve	1	

Group	Suspensions - Wheels
Code	04.12
Description	Rear wheel
Service	1



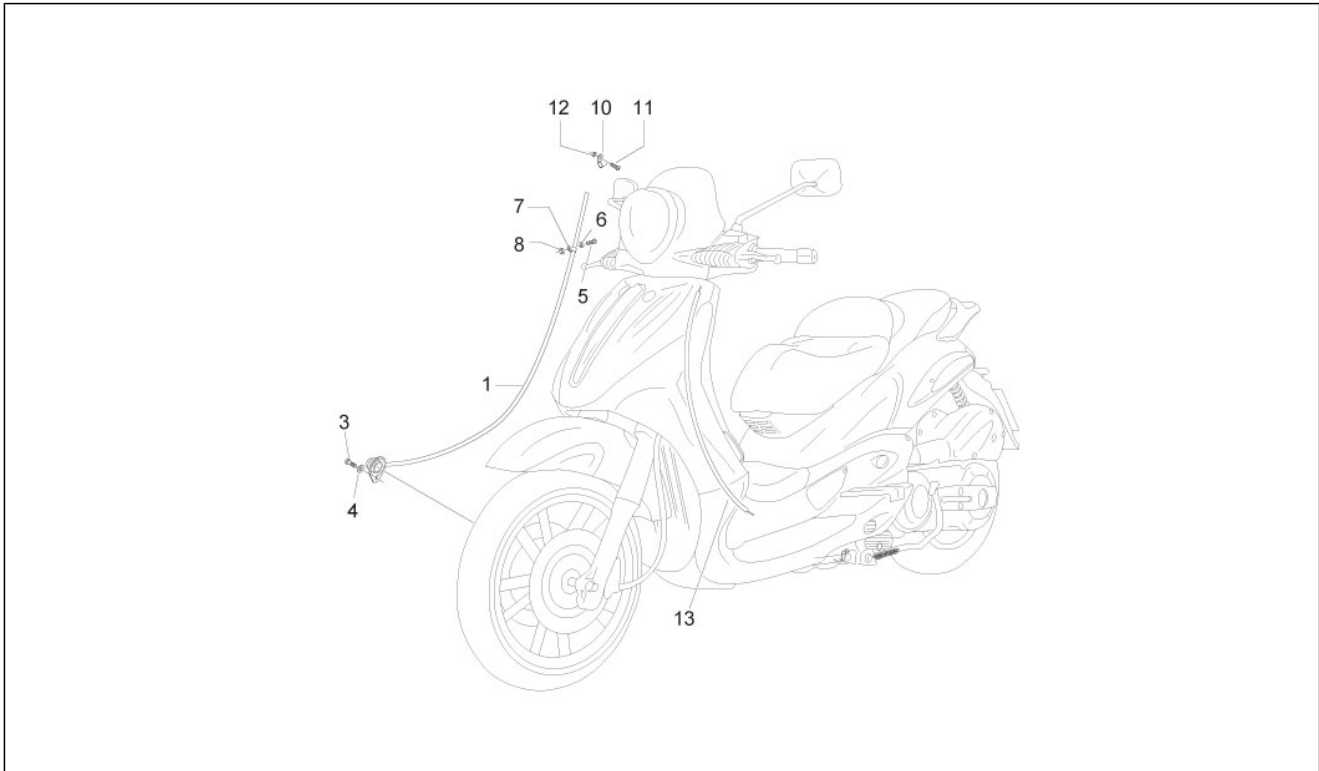
Pos.	Code	Description	Qty	Variants
1	649857	Rear wheel 3,50"x16"	1	
2	597335	(Michelin) Tyre 140/70-16"	1	
2	597337	Rear tyre (Pirelli) 140/70-16"	1	
2	647669	Tyre (Cheng Shin) 140/70 R16"	1	
2	650935	Tyre (Pirelli) 140/70-16"	1	
2	666317	(Michelin) Tyre 140/70-16"	1	
3	597679	Tubeless valve	1	
4	56397R	Brake disc	1	
6	271147	Hex socket screw M6x20	5	

Group	Braking system - Transmissions
Code	05.01
Description	Brakes pipes - Calipers
Service	1



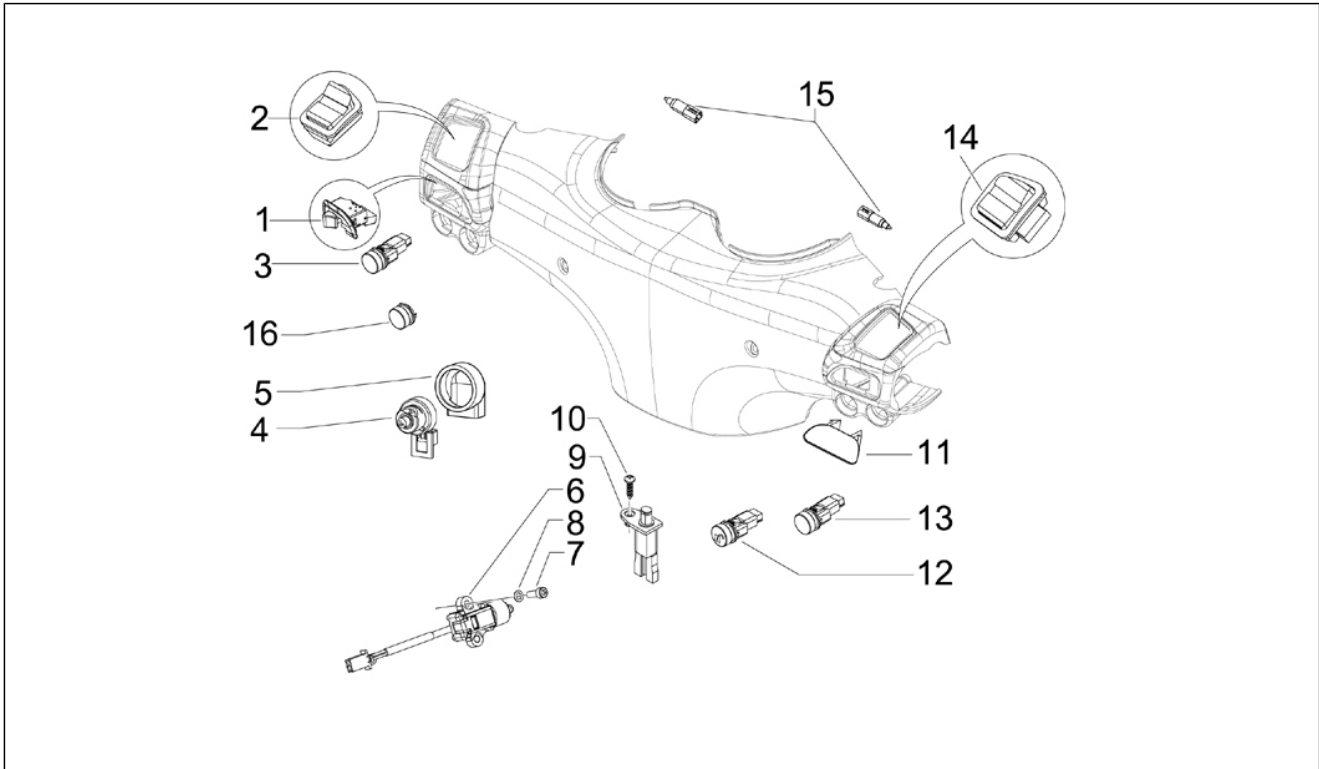
Pos.	Code	Description	Qty	Variants
1	56479R	Brake caliper	1	
1	CM068301	Brake caliper (Heng Tong)	1	
2	647078	Brake pads torque (Heng Tong)	1	
3	598919	screw	2	
4	709047	Spring washer	2	
5	600878	Front brake flexible piping	1	
6	127927	Gasket	8	
7	257134	Lock-strap L=277	2	
8	265451	Oil pipe screw M10x18	4	
9	289731	Screw w/ flange M6x30	2	
10	CM006905	Non return spring L=12	1	
11	145298	Lock-strap L=180mm	1	
12	56479R	Brake caliper	1	
12	CM068301	Brake caliper (Heng Tong)	1	
13	647078	Brake pads torque (Heng Tong)	1	
14	600532	Rear brake flexible pipe	1	
15	598920	Hex socket screw	2	
16	709047	Spring washer	2	
17	649417	Brake caliper support plate	1	
18	030074	screw	2	
19	219727	Self locking nut	1	
20	828961	Flat washer 8,2x17x2,5	2	
21	217280	Hose clamp	1	
22	597418	Hose clamp	3	
23	561886	Hose clamp	1	

Group	Braking system - Transmissions
Code	05.03
Description	Transmissions
Service	1



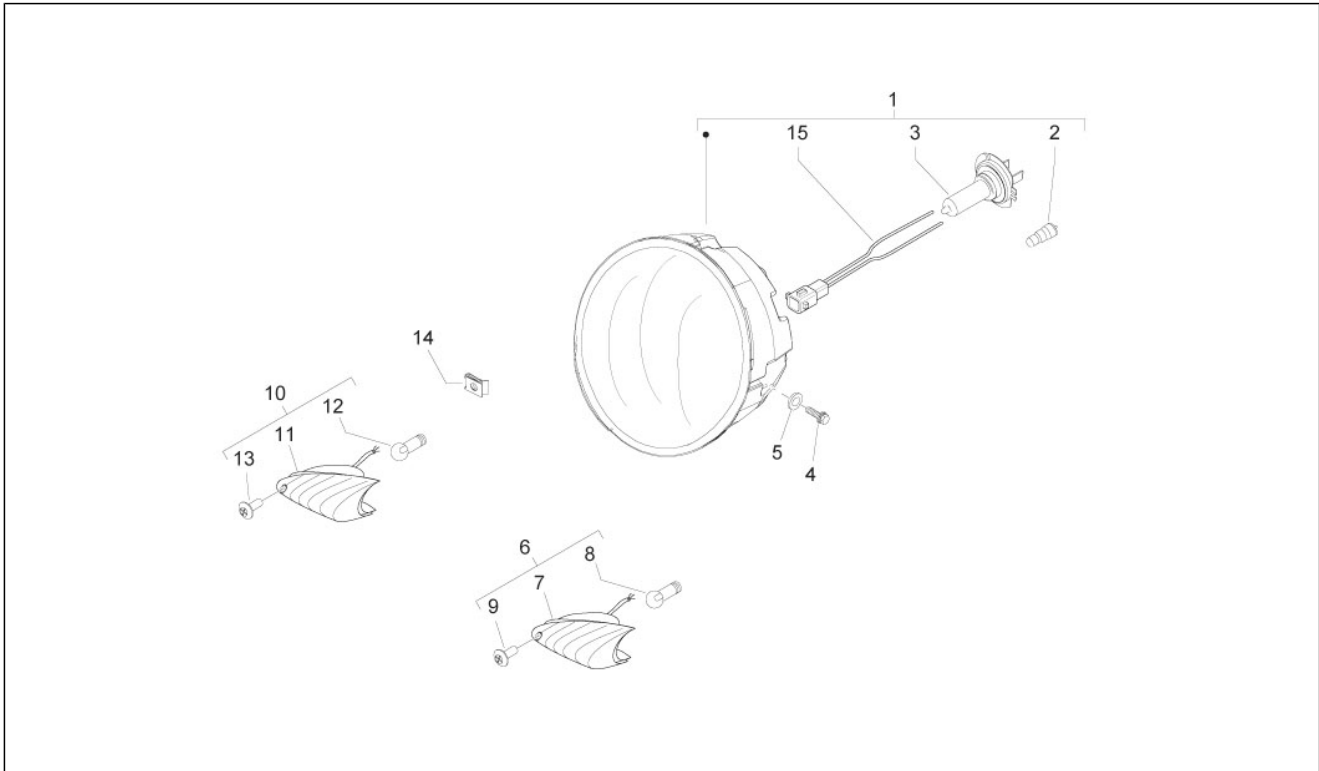
Pos.	Code	Description	Qty	Variants
1	650339	Speedometer transmission	1	
3	598839	Screw w/ flange	1	
4	006966	Spring washer 6,4x11x0,5	1	
5	018623	Self-tapping screw	1	
6	006078	Plain washer 12x5.2x1	1	
7	600452	Hose clamp	1	
8	012112	Nut	1	
10	487824	Retainer clamp	1	
11	575249	Screw with tang M6	1	
12	012138	Nut	1	
13	CM012803	Benz. flap opening transmission	1	

Group	Electrical system
Code	06.01
Description	Selectors - Switches - Buttons
Service	1



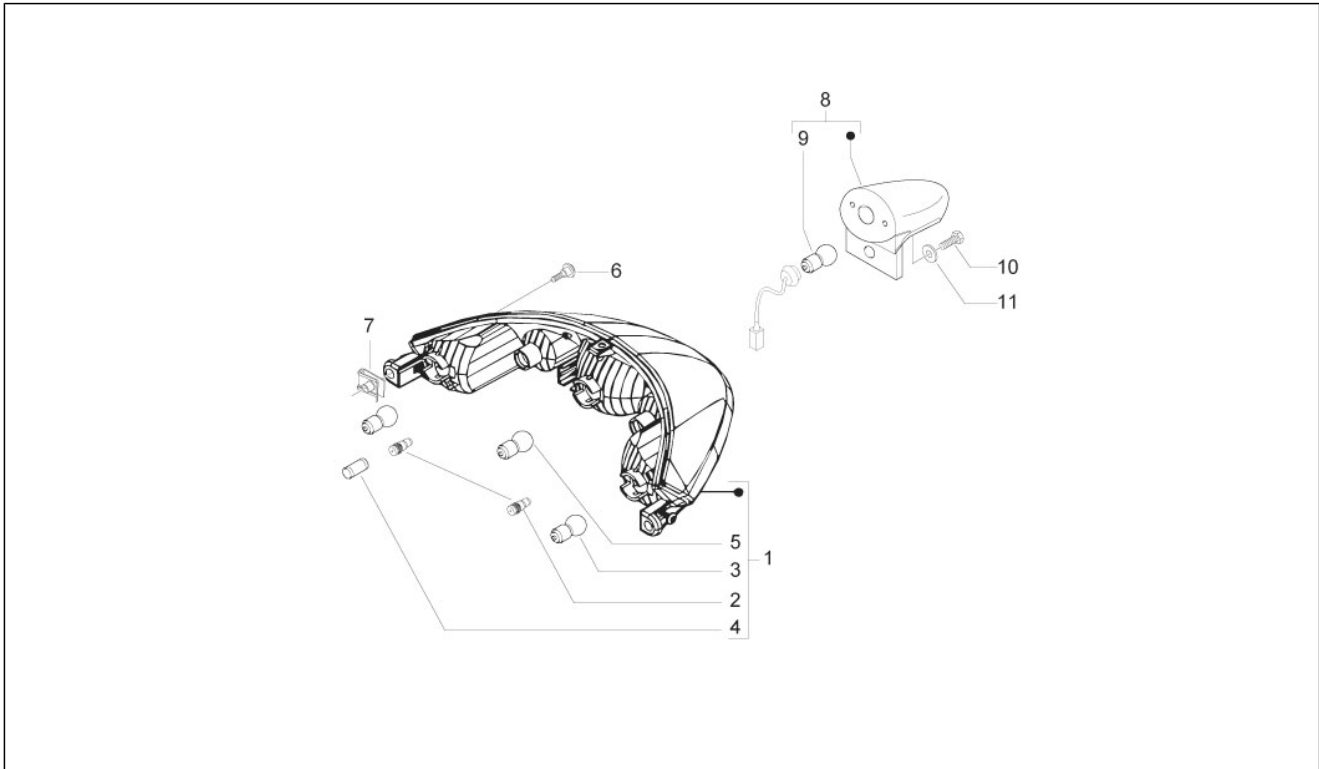
Pos.	Code	Description	Qty	Variants
1	58056R	Turn signal lamps switch	1	
2	294341	Headlight selector	1	
2	641825	Headlight selector	1	
3	58058R	Horn button	1	
4	582951	Key switch	1	
5	582041	Commutator cap	1	
6	639542	Button for the side stand	1	
7	292889	Hex socket screw M5x16	2	
8	012532	Washer 5,3x10x0	2	
9	583752	Button	1	
10	018536	Self-tap screw 3,5x13	1	
11	584426	Light switch seat cover	1	
12	582988	Saddle opening button	1	
13	58057R	Start pushbutton	1	
14	582163	Engine stop-start device	1	
14	641824	Engine stop switch	1	
15	583575	stop Button	2	

Group	Electrical system
Code	06.03
Description	Front headlamps - Turn signal lamps
Service	1



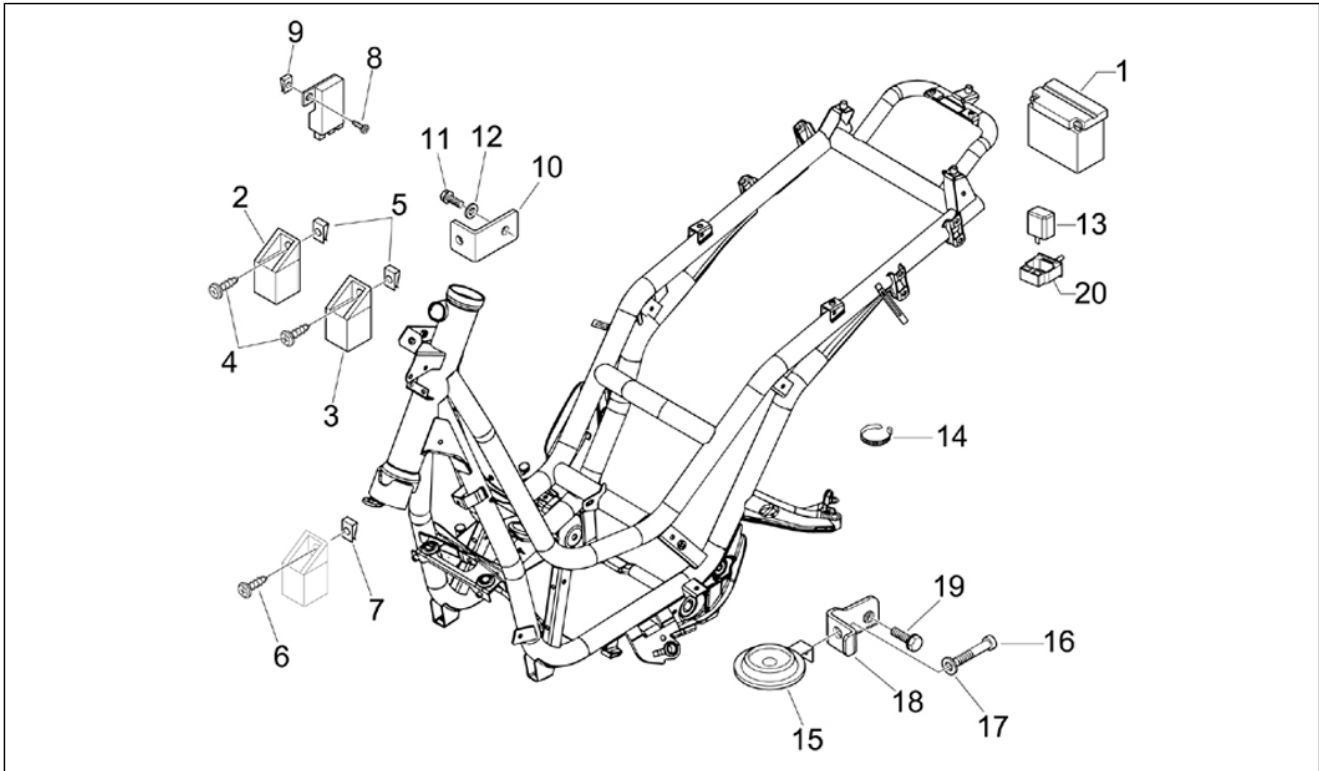
Pos.	Code	Description	Qty	Variants
1	639577	***HEADLAMP ASSY. B500	1	
2	292022	Lamp 12V-5W	1	
3	292723	Lamp H4 60/55W 12V	1	
4	031088	screw M6x16	2	
5	016406	Spring washer 6,4x11,8x1	2	
6	584166	Turn sign.	1	
7	584478	Glass	1	
8	584332	Lamp 12V-10W	2	
9	015728	screw	1	
10	584167	Turn sign.	1	
11	584477	Glass	1	
12	584332	Lamp 12V-10W	1	
13	015728	screw	1	
14	CM017403	Spring plate	2	
15	638563	Headlamp cable harness	1	

Group	Electrical system
Code	06.04
Description	Rear headlamps - Turn signal lamps
Service	1



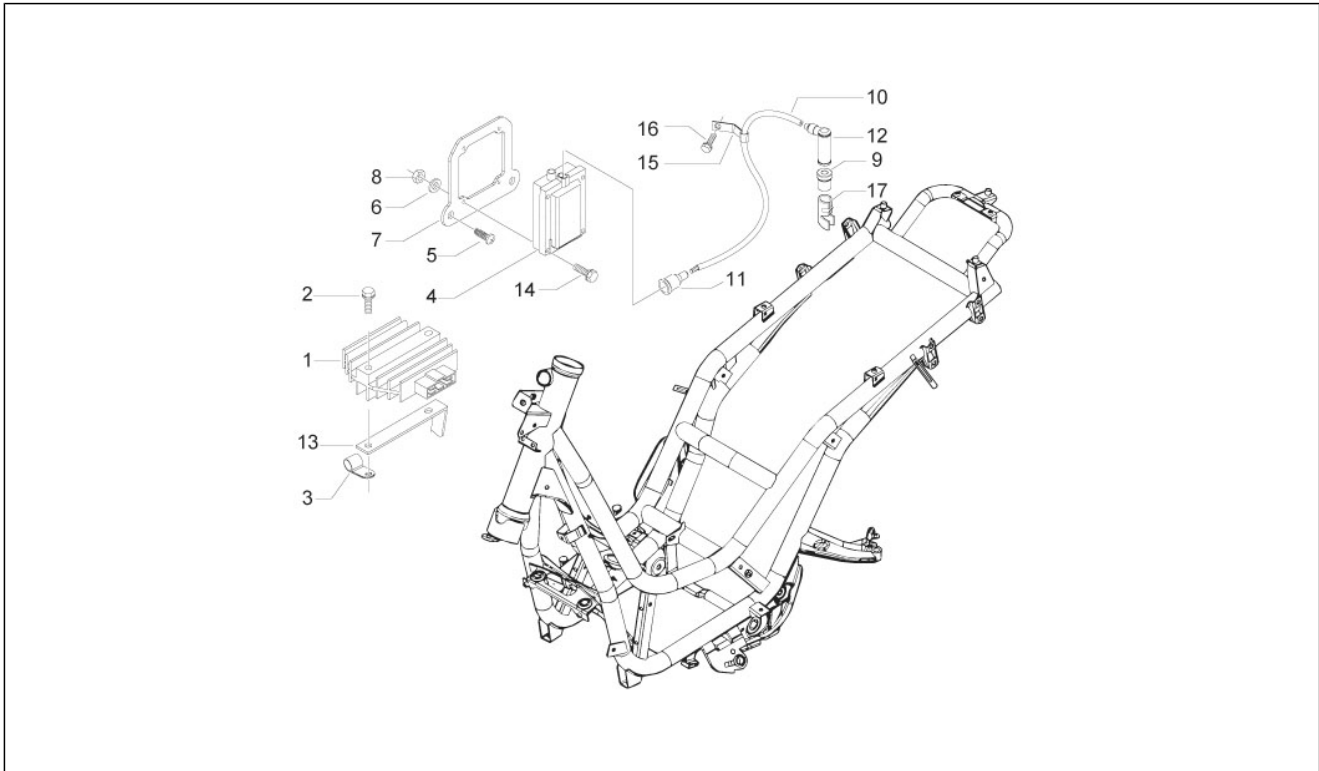
Pos.	Code	Description	Qty	Variants
1	641440	***TAIL LAMP	1	
2	294131	Lamp 12V-3W	2	
3	584332	Lamp 12V-10W	2	
4	199190	Expansion plug	2	
5	181746	Lamp 12V-10W	1	
6	575249	Screw with tang M6	2	
7	254485	Spring plate M6	2	
8	583332	Rear licence plate light	1	
9	292022	Lamp 12V-5W	1	
10	267115	Self tapping screw M4x16	1	
11	003054	Washer 4,3x8x0,5	1	
12	145298	Lock-strap L=180mm	3	

Group	Electrical system
Code	06.05
Description	Remote control switches - Battery - Horn
Service	1



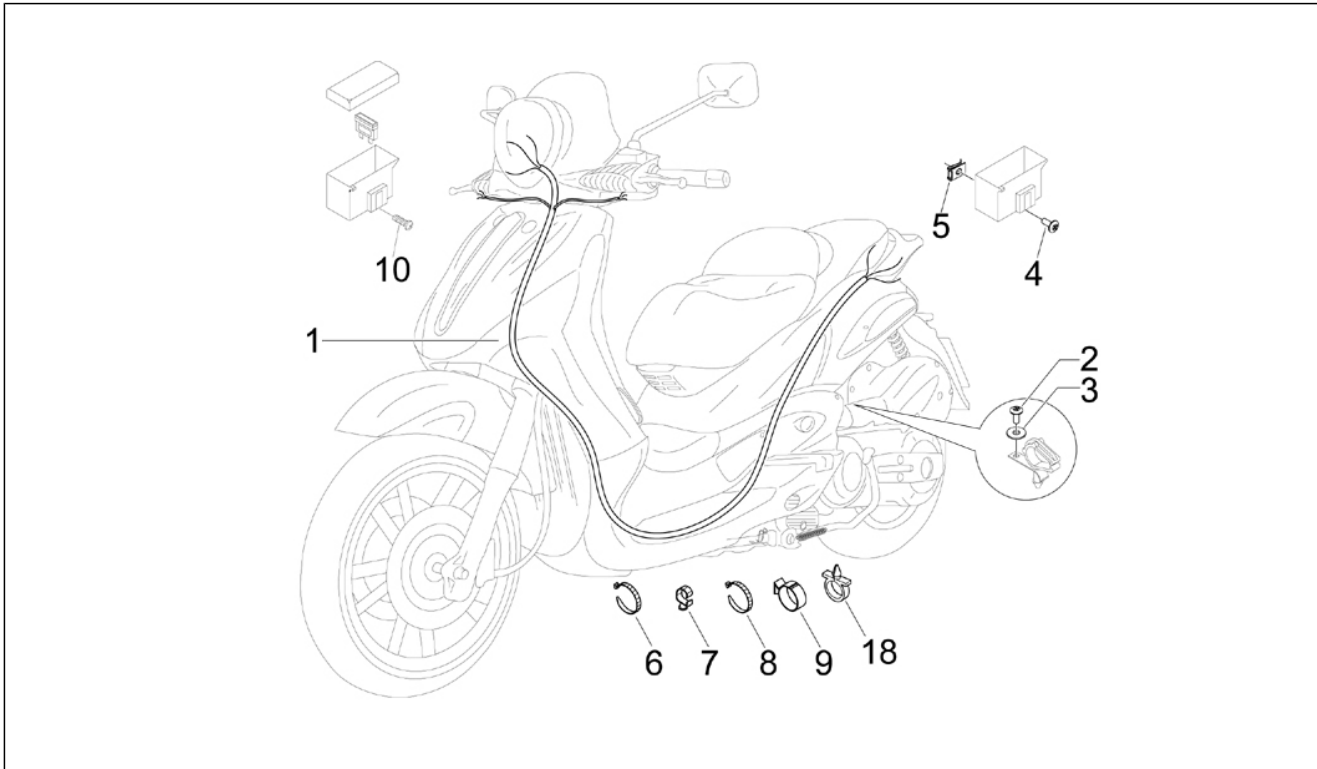
Pos.	Code	Description	Qty	Variants
1	638733	Battery Yuasa 12V-12Ah (150x85x145)	1	
2	581139	Rem. control switch 12V-30A	3	
3	58115R	Starter relay 12V-80A	1	
4	259349	Screw M4,2x13	2	
5	CM017409	Spring plate	2	
6	259349	Screw M4,2x13	1	
7	CM017409	Spring plate	1	
8	259349	Screw M4,2x13	1	
9	CM017409	Spring plate	1	
10	583745	Solenoid bracket	1	
11	830061	Screw w/ flange M5x16	1	
12	016603	Washer	1	
13	638755	Turn indicator control	1	
14	257134	Lock-strap L=277	11	
15	CM071814	Horn 12v cc	1	
16	272836	Screw M6x16	1	
17	834951	Conical washer	1	
18	622431	Bracket	1	
19	434541	Screw w/ flange M6x16	1	
20	291017	Flexible support	1	

Group	Electrical system
Code	06.06
Description	Voltage Regulators - Electronic Control Units (ecu) - H.T. Coil
Service	1



Pos.	Code	Description	Qty	Variants
1	58086R	Voltage regulator	1	
1	639110	Voltage regulator (SHIND.)	1	
2	289731	Screw w/ flange M6x30	2	
3	573918	Hose clamp	1	
4	58120R	HT coil	1	
5	583236	screw M3x20	4	
6	012554	Washer 3.2x5.7x0.9	4	
7	624188	Support clamp	1	
8	020003	Nut m3	4	
9	828210	Spark plug prot.collar	1	
10	080341	HT wire	1	
11	071671	Insulating cap	1	
12	293845	Screened cap	1	
13	639843	Bracket	1	
14	434541	Screw w/ flange M6x16	2	
15	581767	Support clamp	1	
16	434541	Screw w/ flange M6x16	1	
17	015014	End cap	1	

Group	Electrical system
Code	06.08
Description	Main cable harness
Service	1



Pos.	Code	Description	Qty	Variants
1	641527	Frame harness	1	
2	581190	Fuse holder	3	
3	581191	Plug	1	
4	252945	Fuse 7,5A	5	
4	290860	Fuse 15A	2	
4	292507	Fuse 10A	2	
4	581440	Fuse 30A	1	
5	145298	Lock-strap L=180mm	2	
6	581424	Ground cable	1	
7	013880	Flat washer 16x6,5x1,5	1	
8	031089	Hex screw M6x18	1	
9	270793	TBCIC Screw 3,8x16	2	
10	259349	Screw M4,2x13	2	
11	CM017409	Spring plate	2	
12	CM006906	Non return spring L=33	1	
13	CM006907	Pipes/cables retainer spring L=16	1	
14	125647	screw	1	
15	012528	Washer	1	
16	140435	Spring	1	
17	145298	Lock-strap L=180mm	4	
18	217280	Hose clamp	1	
19	638792	Hose clamp	1	